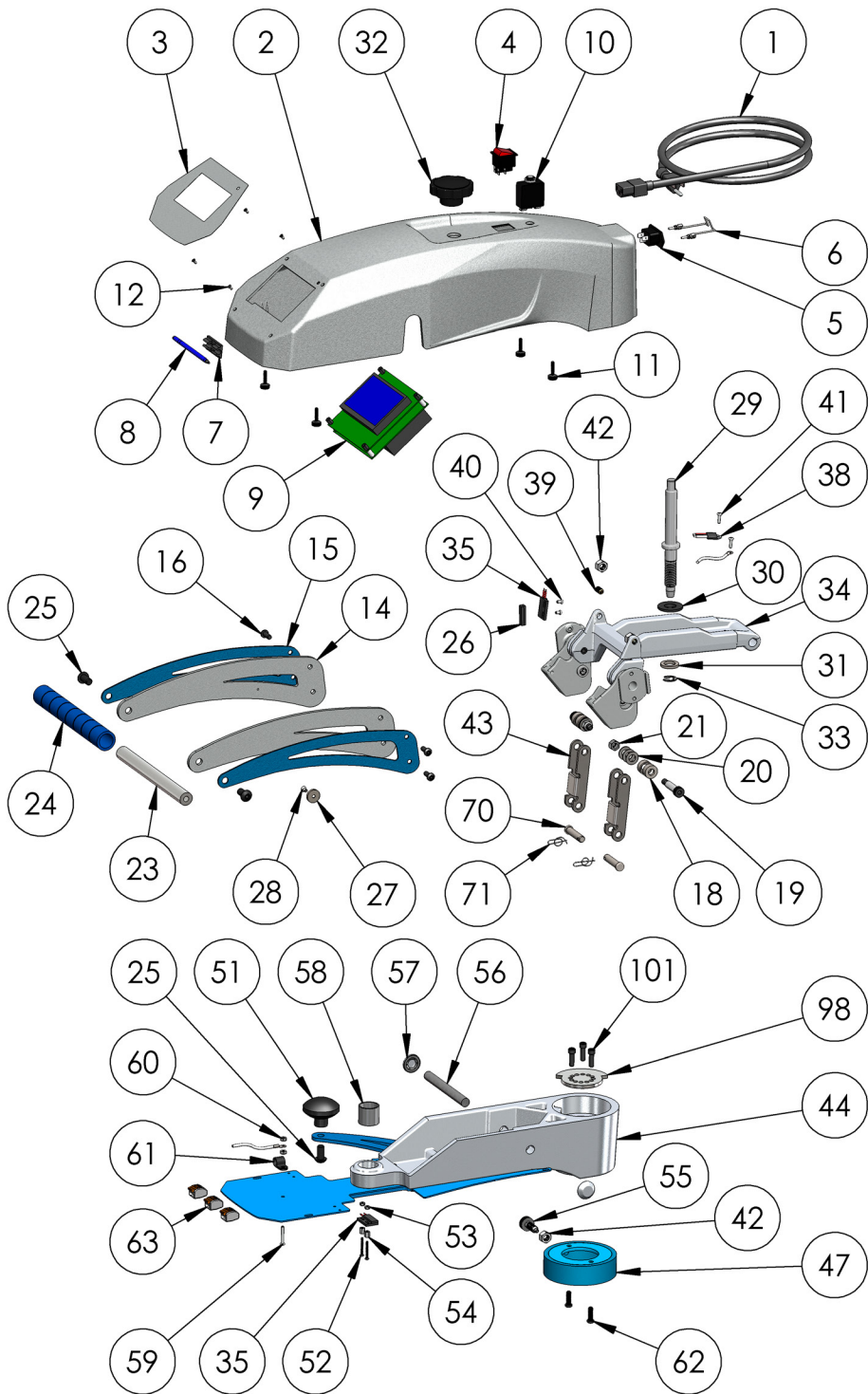
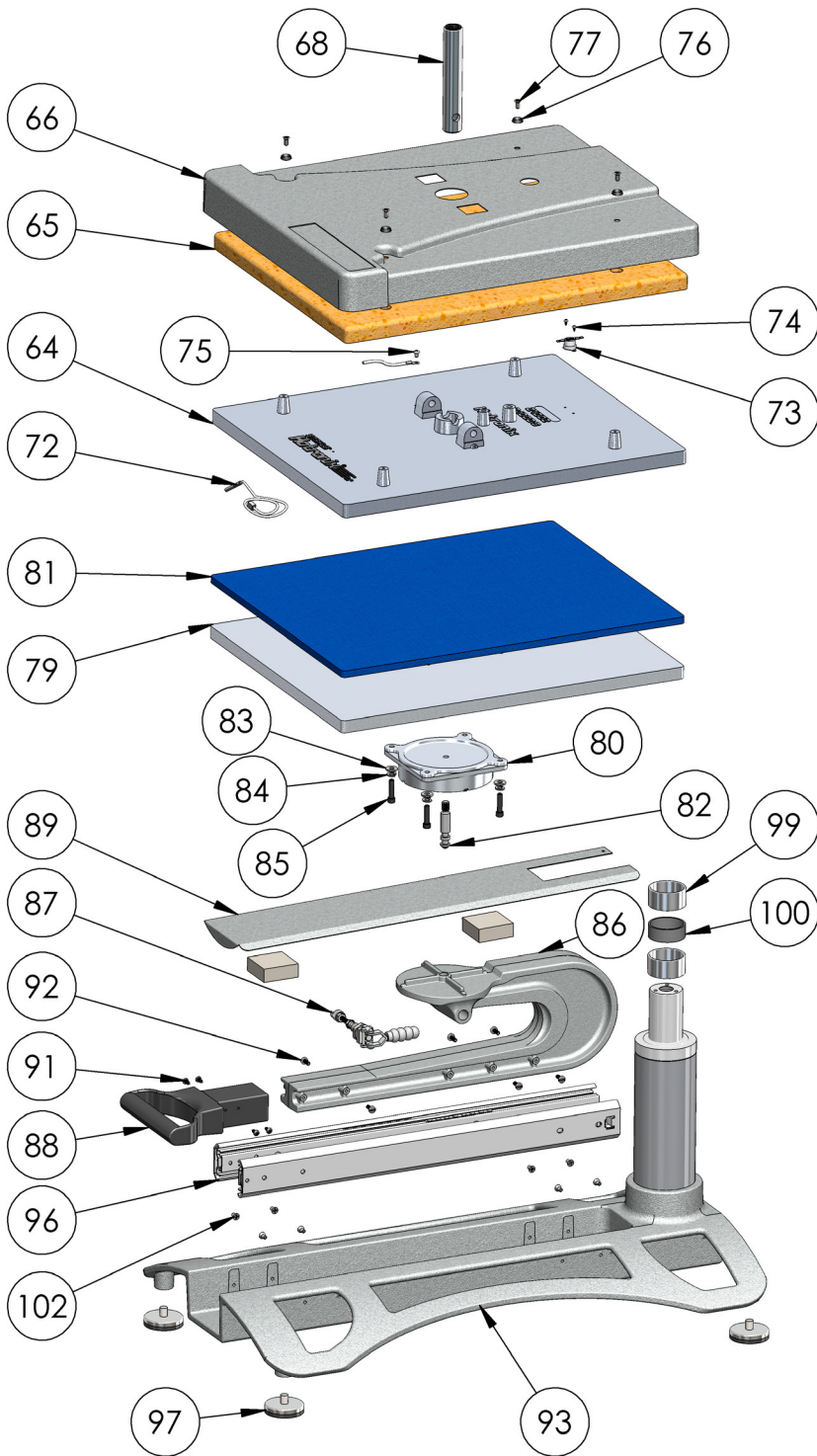


6.2 Parts List and Exploded View XF Fusion



#	PART#	DESCRIPTION	QTY.
1	2-1671	Power Cord 5FT 15A SJT 14/3 105C Black	1
2	1-2197	Manual Fusion Housing	1
3	1-2198	Fusion Control Housing Overlay	1
4	1-2087	Power Switch	1
5	1-1759	Power Inlet	1
6	1-1770	Power Cord Retaining Clamp	1
7	1-2386	Touchscreen Stylus Holder	1
8	1-2385	Touchscreen Stylus	1
9	1-2266	Fusion Touchscreen Controller	1
10	1-1331	Circuit Breaker 20A (STX XF XRF)	1
11	1-2200	Thumbscrew #8-32 x 17/32"	4
12	-	Machine Screw Countersunk Phillips #4-40 x 0.25	4
14	1-2207	Fusion Inner Lift Arm (Silver, Thick)	2
15	1-2208	Fusion Outer Lift Arm (Thin Blue)	2
16	3-1011-241	Screw, Button Socket Head 1/4"-20 X 5/8"	8
18	1-1301	Fusion Bearing Cap	4
19	3-1011-55	Screw, Shoulder 3/8" x 1-1/4" w/ 5/16"-18 Thread	2
20	2-1006-46	Washer, 3/8" SAE Narrow	6
21	2-1006-20	Nut, Hex Nylok 5/16"-18	2
23	0175-12	Fusion Handle Spacer	1
24	1-2116	Foam Grip Blue 8"	1
25	3-1011-244	Screw, Socket Button Head , 3/8-16 X 3/4"	3
26	1-1219	Proximity Actuator (Modified)	1
27	1-2414	Magnet, Neodymium 0.75 x 0.125 w/ #8 Countersink	1
28	-	Machine Screw Countersunk Phillips 8-32 x 0.3125	1
29	1-1010-2	Fusion Adjustment Spindle	1
30	2-1006-92	Washer, Spherical 5/8"	1
31	1-2217	Shim, Steel, 5/8" ID 1" OD 1/8" Thick	1
32	1-1012	Adjustment Knob	1
33	1-1019-1	E-Clip 1/2" Shaft	1
34	Kit 3-6943	Fusion Adjustment Casting	1
35	1-1211	Proximity Sensor	2
38	1-1059	TRIAC	1
39	1-2201	Ball Plunger 3/8"-16 x 5/8"	2
40	3-1011-25	Screw, Machine #6-32 x 1/4"	2
41	3-1011-19	Screw, Machine #6-32 x 1/2"	2
42	2-1006-18	Nut, Hex 3/8"-16	3
43	1-1024	Lift Link XS & Fusion	2
44	2-1664	Fusion Upper Casting	1
46	-	Upper Casting Bearing Spacer	1
48	1-2203	Fusion Stop Collar	1
51	1-1054	Swing Knob Black 2in Threaded	1
52	3-1011-130	Screw, Pan Phillips #4-40 x 1"	2
53	2-1006-51	Nut, #4-40 with Tooth Washer	2
54	1-2073	Standoff, #4-40 x 5/16" Aluminum 1/4" Hex	2
55	1-2206	Spring Plunger, 3/8"-16 Hand Retractable	1
56	2-1055-29	Steel Pin 1/2" x 4.69"	1
57	1-1107-1	Hub Cap 1/2"	2
58	1-1013	Fusion Guide Tube Bushing	1
59	3-1011-13	Screw, Pan Phillips #6-32 x 1.00	1
60	2-1006-50	Nut, #6-32 Hex with Lockwasher	2
61	1-1105	Clamp, Cable 7/16" Black	1



#	PART#	DESCRIPTION	QTY.
62	3-1011-245	Screw, Socket Head Cap Low Profile 1/4-20 X 3/4"	2
63	1-2365	Lever Nut 3 Conductor	3
64	2-1002	Heat Platen 16 x 20 1800W Manual Fusion	1
65	1-1020	Insulation, 16"x20"	1
66	1-2189	Heater Cover 16"x20" Fusion	1
68	1-2194	Fusion Guide Tube	1
70	1-1017-1	Pin, Clevis 3/8" x 1-3/8"	2
71	1-1043-2	Retaining Clip, Rue Ring	2
72	1-1272-1	Temperature Probe	1
73	1-2076	Thermal Shutoff Switch	1
74	3-1011-98	Screw, SS Sheet Metal #4 X 1/4"	2
75	3-1011-87	Screw, SS Phillips #8-32 X 1/4"	1
76	1-1063	Washer, Plastic Finishing	4
77	3-1011-217	Screw, Flat Head Phillips #10-24 x 7/16"	4
78	1-2318	Adapter Harness (Not Shown)	1
79	2-1029	Lower Platen, 16"x20"	1
80	3-1336	Adapter Plate	1
81	1-2136	Silicone Pad 16"x20" Blue	1
82	1-2215	Quick Release Pin	1
83	2-1006-25	Washer, Flat 1/4" SAE	4
84	2-1006-44	Washer, Split Lock 1/4"	4
85	3-1011-191	Screw, Socket Head Cap 1/4"-20 x 1"	4
86	3-1335	Fusion Quick Release C-Frame	1
87	1-2332	Quick Release Clamp, Manual Presses	1
88	1-2182	Draw Handle	1
89	Kit 3-1294	Fusion Slide Cover	1
91	3-1011-108	Screw, Sheet Metal #8 x 1/2"	4
92	3-1011-66	Screw, Slotted Pan #10-24 x 1/2"	6
93	4-1175	Fusion Base Casting	1
96	1-1749	Slide Rail	2
97	1-2199-1	Rubber Foot	4
98	-	Fusion Stop Plate	1
99	1-2261	Needle Bearing Inner Race	2
100	-	Spindle Race Spacer	1
101	-	Screw, Socket Head Cap 1/4"-28 x 3/4"	3
102	3-1011-69	Screw, Countersunk Phillips #10-24 x 3/8"	8