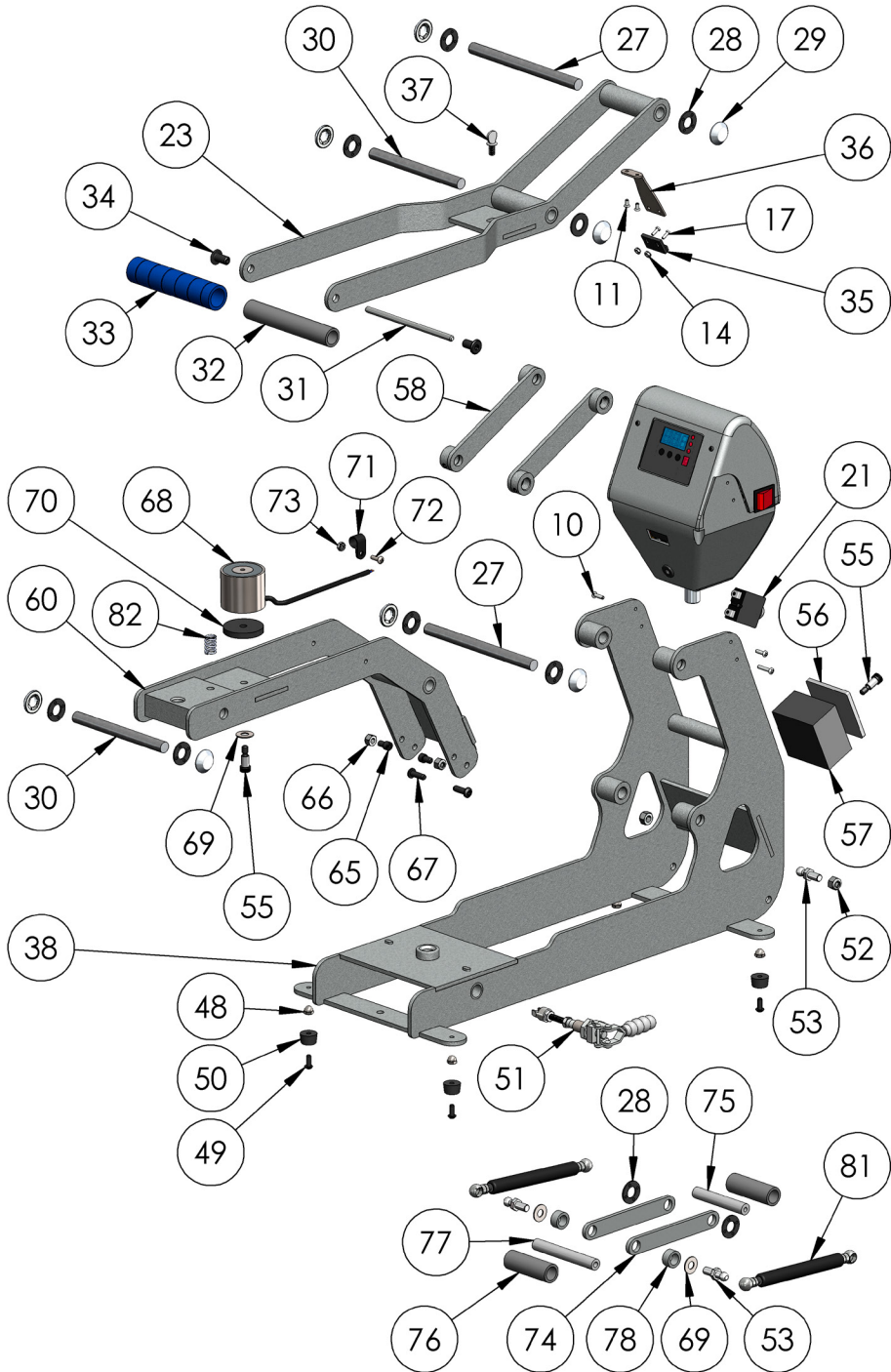


STX Housing

| # | PART# | DESCRIPTION | QTY. |
|----|------------|---|------|
| 1 | 4-1172-S | Control Housing, STX | 1 |
| 3 | 1-2018-1 | Controller Overlay, STX | 1 |
| 4 | 1-2105 | Grommet, 9/32" ID 3/8" OD | 2 |
| 5 | 3-1011-235 | Screw, Sheet Metal #6 x 1/2" | 6 |
| 6 | 2-1006-50 | Nut, #6-32 Hex with Lockwasher | 9 |
| 7 | 3-1011-130 | Screw, Pan Phillips #4-40 x 1" | 2 |
| 8 | 1-1759 | Power Inlet | 1 |
| 9 | 1-2087 | Power Switch | 1 |
| 10 | 3-1011-19 | Screw, Machine #6-32 x 1/2" | 7 |
| 11 | 3-1011-25 | Screw, Machine #6-32 x 1/4" | 5 |
| 12 | 1-1353 | Conduit Fitting, 1/2" Topaz Straight Twist-On | 1 |
| 13 | Kit 3-6945 | Controller Kit, STX | 1 |
| 14 | 2-1006-51 | Nut, #4-40 with Tooth Washer | 8 |
| 15 | 2-1661 | Controller Bracket, STX MAXX | 1 |
| 16 | 1-1059 | TRIAC | 1 |
| 17 | 3-1011-22 | Screw, Machine #4-40 x 3/8" | 6 |
| 18 | 1-1290 | Terminal Block, 5 Contact High Voltage | 1 |
| 20 | 1-1211 | Proximity Switch | 1 |

STX Legacy Parts

| # | PART# | DESCRIPTION | QTY. |
|-----|------------|---|------|
| 200 | 2-1671 | 120V Locking Power Cord | 1 |
| 201 | 1-2186 | 220V Power Cord | 1 |
| 202 | 2-1672 | 230V European Locking Power Cord | 1 |
| 203 | 1-1279 | Lower Platen Spacer | 1 |
| 204 | KIT 3-6924 | Platen Lift Kit | 1 |
| 205 | 1-2367 | Quick Change Keyway (Old Style) | 1 |
| 206 | 3-1011-127 | Screw, Machine #8-32 x 3/8" Black Oxide | 2 |
| 207 | 1-1068 | Heater Wire (Not Shown) | 1 |



STX20* (Hover) Base, 120V

| # | PART# | DESCRIPTION | QTY. |
|----|------------|--|------|
| 21 | 1-1331 | Circuit Breaker 20A (STX XF XRF) | 1 |
| 23 | KIT 3-6930 | Handle Assembly STX | 1 |
| 27 | 1-2094 | Steel Pin 1/2" D x 6.45" | 2 |
| 28 | 1-1048-3 | Washer, 1/2" Nylon | 10 |
| 29 | 1-1107-1 | Hub Cap 1/2" | 8 |
| 30 | 1-2093 | Steel Pin, 1/2" x 5.375" | 2 |
| 31 | 1-1042-1 | All Thread Pin | 1 |
| 32 | 1-2096 | PVC Spacer 1/2 I.D. x 5" | 1 |
| 33 | 1-2115 | Blue Foam Grip | 1 |
| 34 | 2-1006-2 | JCN - NUT | 2 |
| 35 | 1-1219 | Magnet | 1 |
| 36 | 1-2085 | Magnet Bracket (STX) | 1 |
| 37 | 3-1011-232 | Shipping Bolt (Thumb Screw), 1/4"-20 x 1/2" | 1 |
| 38 | KIT 3-6917 | Base, STX Hover | 2 |
| 47 | 3-1011-252 | Screw, Pan Phillips #6-32 x 3/4" | 1 |
| 48 | 3-1011-182 | Acorn Nut 10-32 | 4 |
| 49 | 3-1011-164 | Screw, Button Socket Head #10-32 x 1/2" | 4 |
| 50 | 1-1256 | Rubber Foot | 4 |
| 51 | 1-2332 | Quick Release Clamp, Manual Presses | 1 |
| 52 | 2-1006-20 | Nut, Hex Nylok 5/16"-18 | 2 |
| 53 | 1-1939 | Ball Stud 10mm | 4 |
| 55 | 3-1011-233 | Screw, Shoulder 5/16" x 1/2" w/ 1/4"-20 Thread | 2 |
| 56 | 1-1561 | Silicone Pad | 1 |
| 57 | 1-2157 | Hover Electromagnet | 1 |
| 58 | KIT 3-6905 | Pressure Link STX | 2 |
| 60 | KIT 3-6916 | Adjustment Arm Kit, STX Hover | 1 |
| 65 | 3-1011-215 | Soc HD Cap Screw 1/4-20 x 3/8 " | 2 |
| 66 | 2-1006-7 | Nut, Hex 1/4"-20 Nylok | 2 |
| 67 | 3-1011-106 | Screw, Button Socket Head 1/4"-20 X 3/4" | 2 |
| 68 | 1-1945-1 | Electromagnet | 1 |
| 69 | 2-1006-46 | Washer, 5/16" SS | 3 |
| 70 | 1-2104 | Silicone Pad, 5/16" ID x 1-3/4" OD x 1/4" T | 1 |
| 71 | 1-1105 | Clamp, Cable 7/16" Black | 1 |
| 72 | 3-1011-159 | Screw, Machine #8-32 x 1/2" | 1 |
| 73 | 2-1006-52 | Nut, Hex #8-32 w/ Tooth Washer | 1 |
| 74 | KIT 3-6906 | Bridle Links STX | 2 |
| 75 | 1-2091 | Pin, 1/2" x 3" w/ 1/4-20 Threads | 1 |
| 76 | 1-2098 | PVC Spacer 1/2 " I.D.x 2.48 | 2 |
| 77 | 1-2092 | Pin, 1/2" x 3-5/8" w/ 5/16"-18 Threads | 1 |
| 78 | 1-2114 | Steel Spacer | 2 |
| 81 | 1-2243 | Gas Spring 16x20 & 16x16 | 2 |
| 82 | 1-2163 | Compression Spring | 1 |

STX20* (Hover) Base, 120V

| # | PART# | DESCRIPTION | QTY. |
|----|----------|------------------------------------|------|
| 21 | 1-1331-2 | Circuit Breaker 10A (220V & 11x15) | 1 |