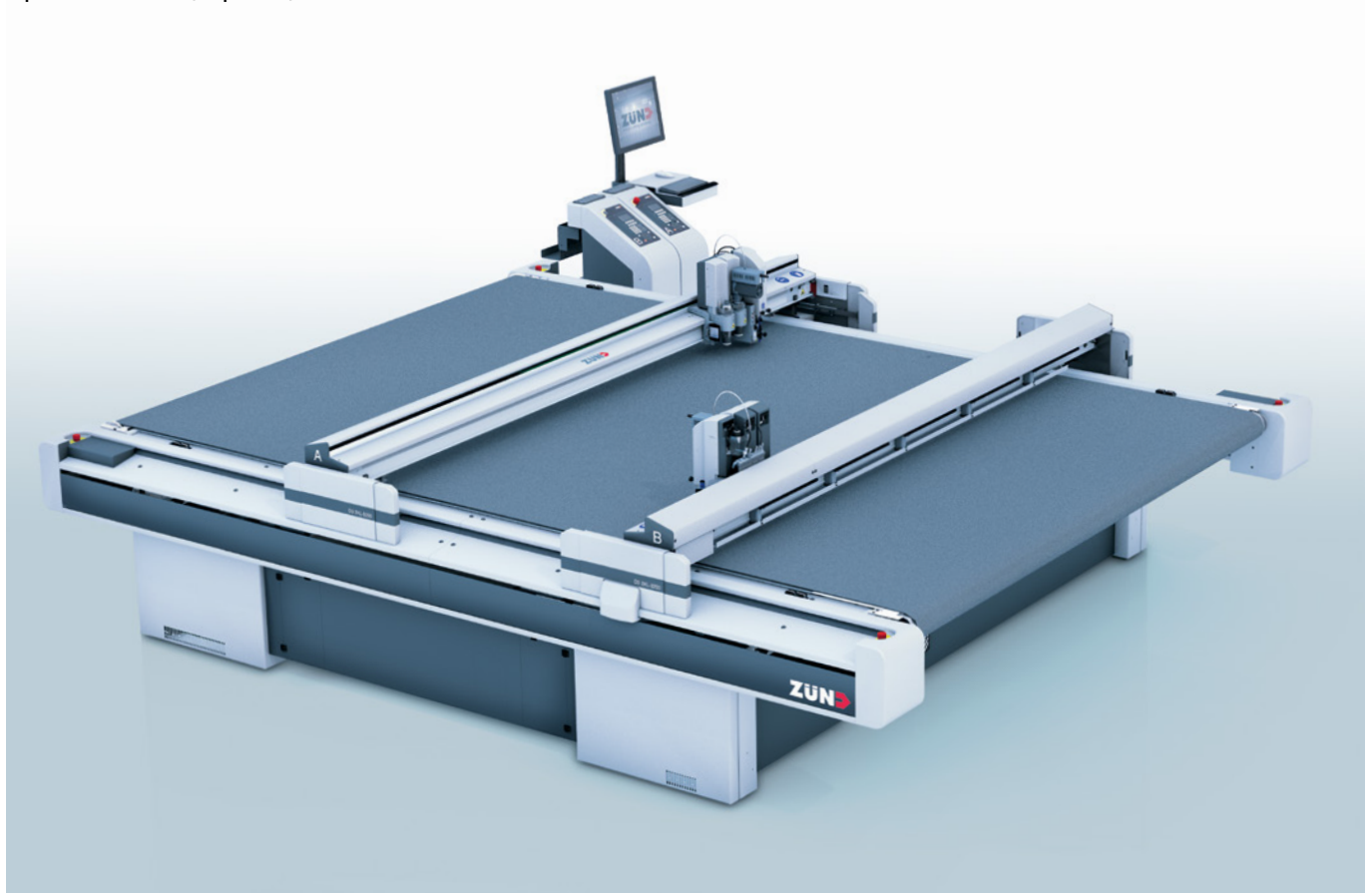


Technical Data D3

Base machine

Specifications, speed, acceleration



07-2023

Specifications

repeatability ¹⁾	$\pm 0,03 \text{ mm} / \pm 0.001''$
position accuracy ¹⁾	$\pm 0,1 \text{ mm/m} / \pm 0.0012''/\text{ft} + \text{repeatability}$
floor load requirements	200 kg/m ² / 45 lbs/ft ²
interface	2x Ethernet 10/100Mbit
operating temperature	10-35 °C / 50-95 °F
relative humidity	10-80 % non condensing
noise emission ²⁾	< 75 dB(A)
beam height	60 mm / 2.3"
electrical requirements	AC 3ph+N+GND, 208/400 V, 50/60 Hz, 32 A
max. material weight	30 kg/m ² / 6 lbs/ft ² (manual loading) (can affect the evenness of the working surface)
max. working length one beam, maximum feed length without re-gripping	2760 mm
Minimum beam approach (tool insert beam A to tool insert beam B)	440 mm

Speed, acceleration ³⁾

max. speed X/Y-axis	1414 mm/s / 55"/s
max. acceleration X/Y-axis	9,3 m/s ² / 366"/s ²
max. speed Z-axis	500 mm/s / 20"/s
max. acceleration Z-axis	10 m/s ² / 393"/s ²
max. rotation speed T-axis	44.2 rad/s
max. rotation acceleration T-axis	3068 rad/s ²

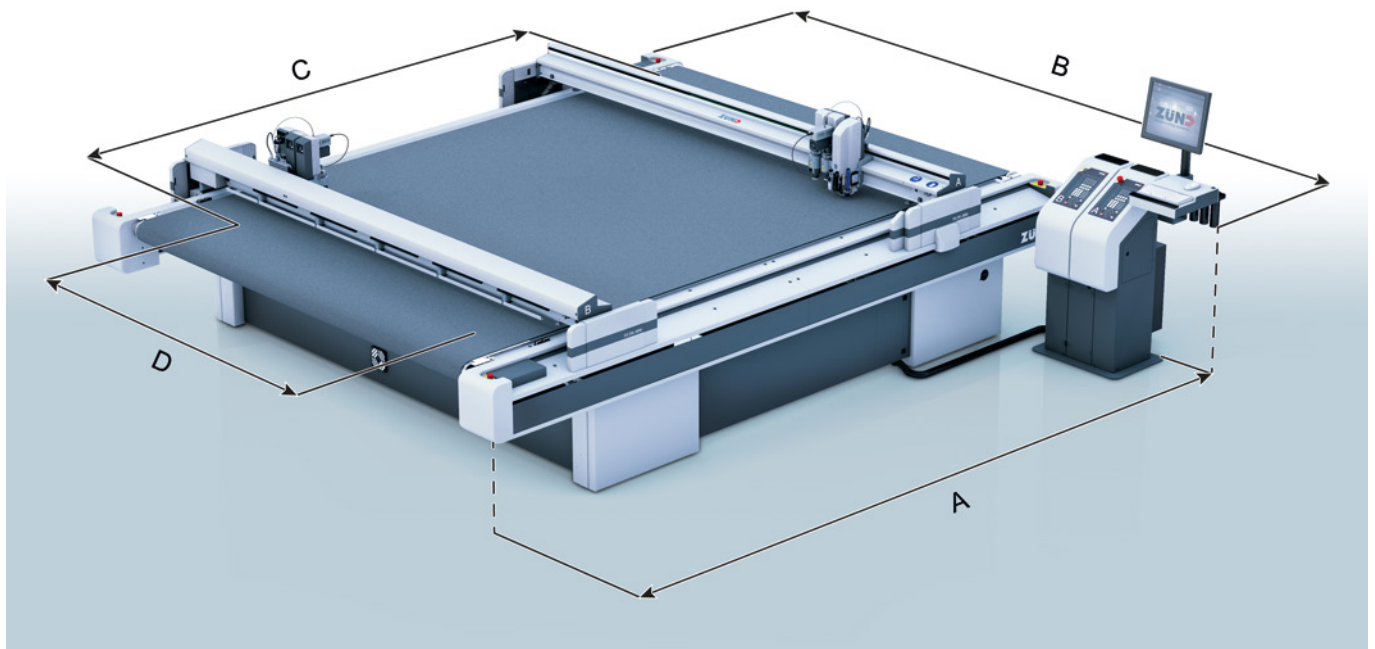
- 1) X/Y drive system, static, at constant operating temperature (may vary depending on cutting tool/method).
- 2) Noise levels may vary between <75 dB(A) and ~85 dB(A) depending on ambient conditions and type of cutting technology, materials, and vacuum generator being used.
- 3) Depending on cutter size, modules.

Technical data subject to change without notice.

Technical Data D3

Base machine

Dimensions, weight, material

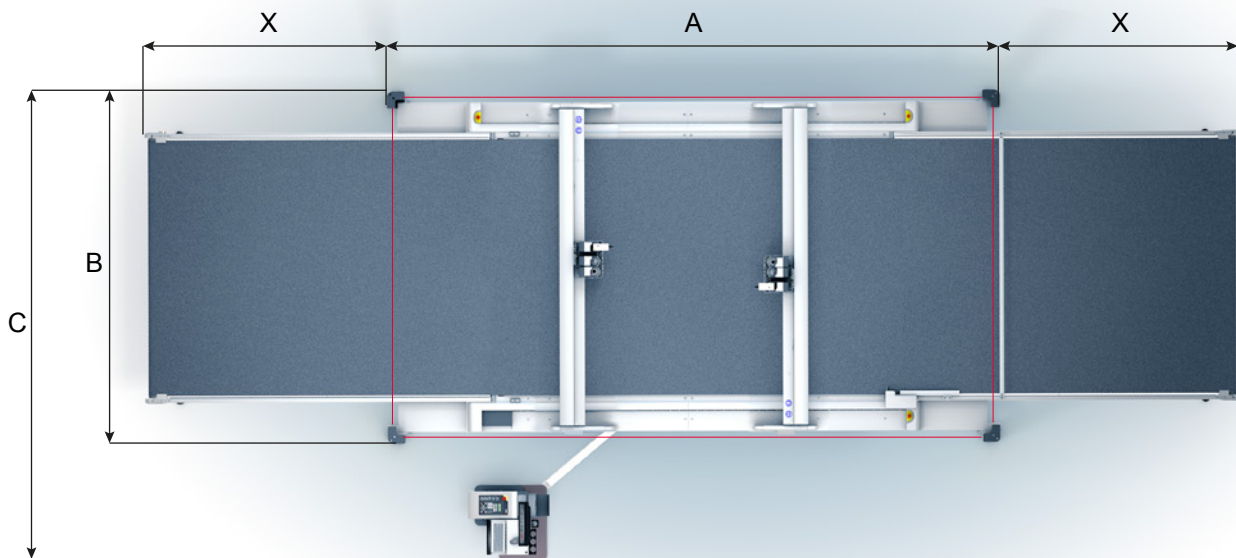


Type	Working area (C × D)	Overall dimensions, incl. workstation (A × B)	max. Materialwidth	Machine weight
L-3200	3200 mm × 1800 mm 125" × 70"	4480 mm × 3610 mm 176" × 142"	1800 mm 70"	1290 kg 2835 lbs
XL-3200	3200 mm × 2270 mm 125" × 89"	4480 mm × 4080 mm 176" × 161"	2270 mm 89"	1460 kg 3220 lbs
2XL-3200	3200 mm × 2740 mm 125" × 107"	4480 mm × 4550 mm 176" × 179"	2740 mm 107"	1600 kg 3530 lbs
3XL-3200	3200 mm × 3210 mm 125" × 126"	4480 mm × 5020 mm 176" × 198"	3210 mm 126"	1800 kg 3960 lbs

Technical data subject to change without notice.

Technical Data D3

Cutter with light curtain and material transport Dimensions



Type	Overall dimensions (A + 2X) × B	Overall dimensions incl. workstation (A + 2X) × C
L-3200	(5756 mm + 2X) × 2734 mm (227" + 2X) × 108"	(5756 mm + 2X) × 3693 mm (227" + 2X) × 145"
XL-3200	(5756 mm + 2X) × 3204 mm (227" + 2X) × 126"	(5756 mm + 2X) × 4163 mm (227" + 2X) × 164"
2XL-3200	(5756 mm + 2X) × 3674 mm (227" + 2X) × 145"	(5756 mm + 2X) × 4633 mm (227" + 2X) × 183"
3XL-3200	(5756 mm + 2X) × 4144 mm (227" + 2X) × 163"	(5756 mm + 2X) × 5103 mm (227" + 2X) × 201"

The length of X varies depending on the used cutter extension.
Technical data subject to change without notice.