

# FC9000

## TAKE-UP SYSTEMS

FC9000-140 | FC9000-160

### FEATURES

- Auto-Winds Forward and Back
- Infrared Sensor to Detect Media
- Allows Long-run Jobs for Increased Productivity
- Increases Capacity for Cutting Large Signs / POP

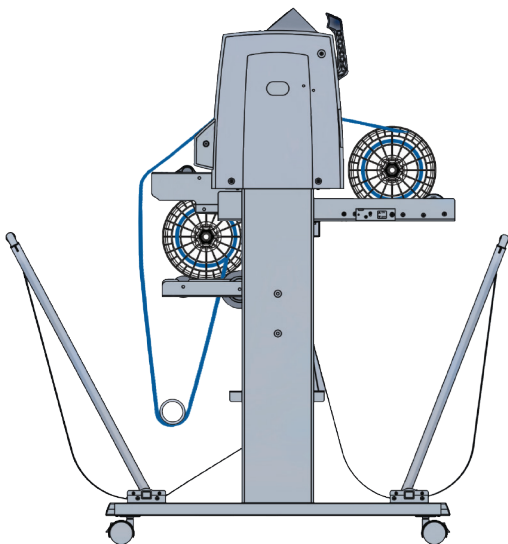


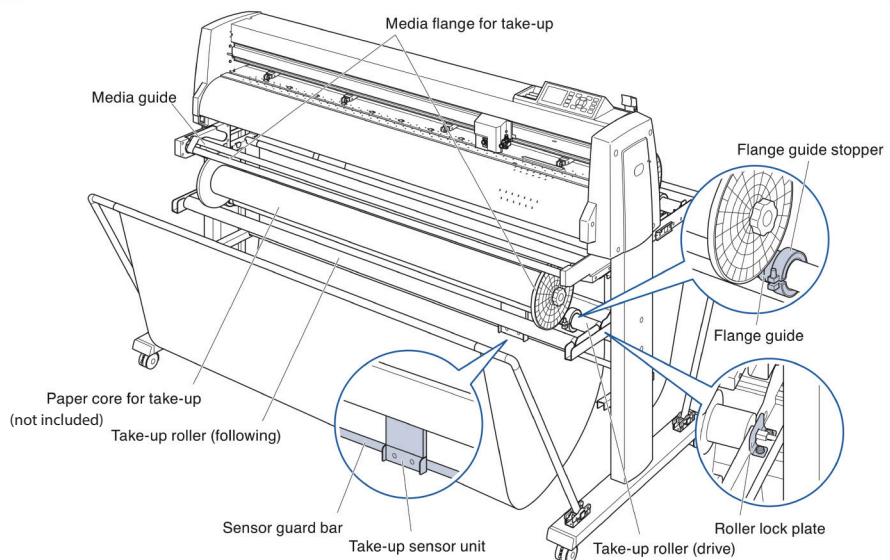
## BOOST YOUR PRODUCTION EFFICIENCY!

### RELIABLE LONG-LENGTH TRACKING WITH THE AUTO TAKE-UP REEL

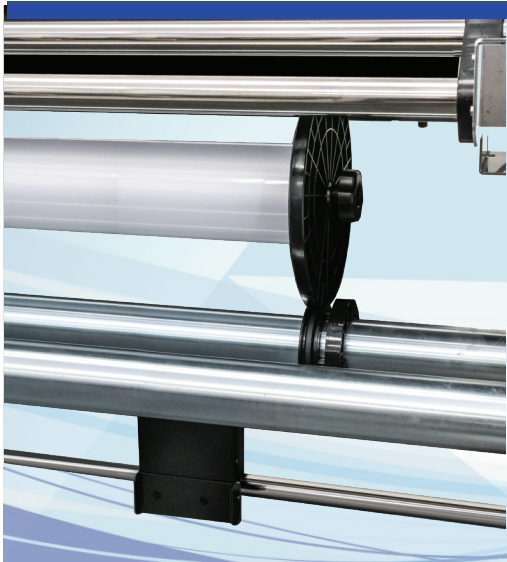
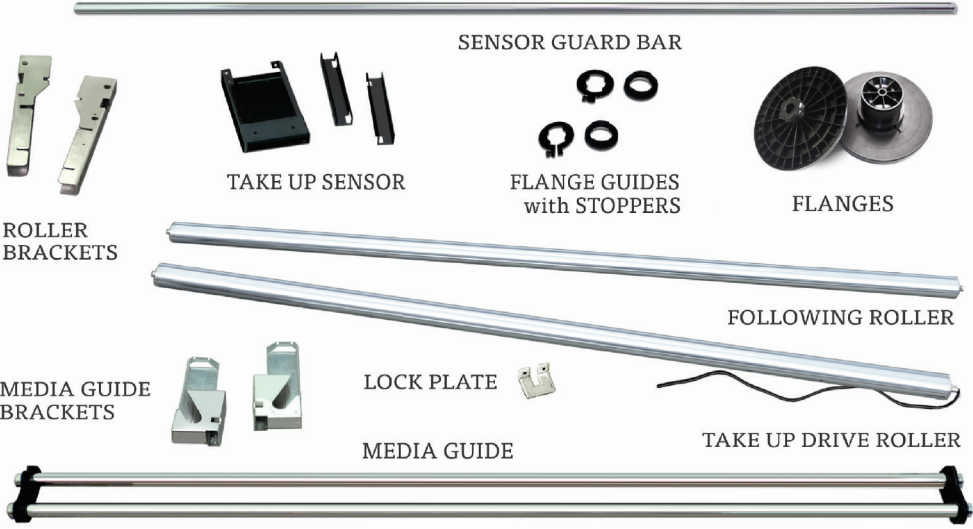
The optional Auto Take-up Reel System for the FC9000 cutter boosts production efficiency by automatically winding rolls of media using the equipped infrared sensor.

The DataLink Bar Code feature works with the take-up system to allow precision tracking of in either direction to significantly improve your cutting efficiency.





**TAKE-UP SYSTEMS**  
**FC9000-140 | FC9000-160**



**INCLUDED PARTS**

**FUNCTION**

Take-up Roller ( Drive / Following )	Driver unit for winding take-up media roll
Media Guide	Supports media feeding.
Flange Guide	Guides the media flange for take-up
Flange Guide Stopper	Secures the flange guide.
Take-up Sensor	Detects the presence of media to be taken up.
Sensor Guard Bar	Protects the basket from touching the take-up sensor unit.
Roller Lock plate	Plate for securing take-up drive roller
Media Flange	Secures media roll and supports feeding

For more information please contact:

[cp.sales@graphtecamerica.com](mailto:cp.sales@graphtecamerica.com)