



PRO-300 series Online Manual

Contents

Using This Online Manual.	13
Trademarks and Licenses.	14
Information about Paper.	29
Supported Media Types.	30
Paper Load Limit.	33
Unsupported Media Types.	35
Handling Paper.	36
Before Printing on Art Paper.	37
Changing Settings from Operation Panel/Web Browser.	39
Operation Panel.	41
LCD and Operation Panel.	42
Changing Settings from Operation Panel.	45
Changing Settings from Operation Panel.	46
Setting Items on Operation Panel.	48
Print settings.	49
LAN settings.	50
PictBridge print settings.	57
AirPrint print settings.	59
Smartphone photo print settings.	60
Other printer settings.	61
Language selection.	62
Firmware update.	63
Paper-related settings.	64
Energy saving settings.	65
Quiet setting.	66
Auto maintenance settings.	67
Administrator password settings.	68
Setting Administrator Password on Operation Panel.	69
Reset settings.	71
Web service setup.	72
Printer information.	73
Changing Printer Settings from Your Computer (Windows).	74

Changing the Print Options.	75
Registering a Frequently Used Printing Profile.	76
Updating Media Information in Printer Driver.	78
Managing the Printer Power.	80
Changing the Printer Operation Mode.	82
Reducing the Printer Noise.	84
Changing Printer's Setting Using Web Browser.	86
Configuration Changes Using Web Browser.	87
Changeable Setting Items Using Web Browser.	90
Setting Password.	92
Registering Printer's Root Certificate to Web Browser for SSL Communication (Remote UI).	94
Registering Printer's Root Certificate to Local Computer for SSL Communication.	98
Generating Server Certificate (Self-signed Certificate).	104
Printer Parts.	107
Front View.	108
Rear View.	110
Inside View.	111
Power Supply.	112
Checking that Power Is On.	113
Turning the Printer On and Off.	114
Checking the Power Plug/Power Cord.	116
Unplugging the Printer.	117
Handling Paper, Multi-purpose Tray, etc..	118
Loading Paper.	119
Paper Sources.	120
Loading Paper in the Top Feed.	122
Loading Paper in the Manual Feed Tray.	127
Register Paper Information.	131
Placing Multi-purpose Tray.	135
Cautions When Printing with Multi-purpose Tray.	136
Placing a Printable Disc.	137
Before Placing a Printable Disc.	138
Placing a Printable Disc.	139
Removing a Printable Disc.	143

Placing Printable Nail Stickers.	145
Before Placing Printable Nail Stickers.	146
Placing Printable Nail Stickers.	147
Removing Printable Nail Stickers.	151
Network.	153
Restrictions.	156
Network Connection Tips.	158
Default Network Settings.	159
Detect Same Printer Name.	161
Connects to Another Computer via LAN/Changes from USB to LAN Connection.	162
Printing Network Settings.	163
Reconfiguration Method of LAN Connection/Reconfiguration Method of Wi-Fi Connection.	169
Connecting with Wireless Direct.	171
IJ Network Device Setup Utility (Windows).	175
IJ Network Device Setup Utility.	176
Starting Up IJ Network Device Setup Utility.	177
Diagnosing and Repairing Network Settings.	178
Performing/Changing Network Settings.	179
Canon IJ Network Device Setup Utility Screen.	180
Performing Network Settings.	184
Performing/Changing Wired LAN Connection (Ethernet Cable) Settings.	185
Performing/Changing Wi-Fi Settings.	188
Assigning Printer Information.	193
Initializing Network Settings.	194
Change Administrator Password.	195
Setting Criteria for Printer Search/Searching Specific Printer.	196
If WEP Details Screen Appears.	198
If WPA/WPA2 Details Screen Appears.	199
Checking Network Status.	200
Checking Wi-Fi Network Status.	201
Displaying Computer Network Information.	203
Displaying Printer Network Information.	204
Checking Connection Status between Printer and Wireless Router.	205
Checking Network Setting Difference.	206
IJ Network Device Setup Utility Menus.	208

Printer Settings Menu.	209
View Menu.	210
Option Menu.	212
Help Menu.	213
List of Models Which Does Not Support Diagnosis and Repair Function.	214
List of Models Which Does Not Support IPv6 Configuration via USB Connection.	215
Other Network Information.	217
Technical Terms.	218
Restrictions.	226
Firewall.	227
List of Devices Which May Interfere with Wi-Fi Communication.	228
Cannot Find Printer Connected via USB.	229
Sharing the Printer on a Network (Windows).	230
Setting Up a Shared Printer.	231
Restrictions on Printer Sharing.	233
Adjustments for Better Print Quality.	234
Aligning the Print Head.	235
Aligning the Print Head Manually.	237
Maintenance and Consumables.	240
Maintenance Procedure.	241
Ink Tanks.	243
Ink.	244
Replacing Ink Tanks.	245
Checking Ink Status on the LCD.	250
Print Head.	251
Printing the Nozzle Check Pattern.	252
Examining the Nozzle Check Pattern.	253
Cleaning the Print Head.	255
Deep Print Head Cleaning.	257
Performing Maintenance Functions from Your Computer (Windows).	259
Opening the Maintenance Tool (Canon IJ Printer Assistant Tool).	260
Cleaning the Print Heads.	262
Printing a Nozzle Check Pattern.	264

Canon IJ Printer Assistant Tool Description.	265
Cleaning the Printer.	271
Cleaning Exterior Surfaces.	272
Cleaning Paper Feed Rollers.	273
Cleaning Inside the Printer (Bottom Plate Cleaning).	277
Other Maintenance.	279
Transporting Your Printer.	280
Specifications.	281
Specifications.	282
Print Area.	285
Print Area.	286
Standard Sizes.	288
Sizes for 0.98 in. (25 mm) Margin Paper.	290
Printable Discs.	292
Safety.	293
Safety Precautions.	294
Regulatory Information.	296
WEEE (EU&EEA).	298
When Repairing, Lending, or Disposing of the Printer.	311
Legal Restrictions on Printing.	312
Screenshots in This Manual.	313
Basic Printing Workflow.	314
Printing Photos from a Computer (Windows).	315
Printing Photos from a Computer (macOS).	319
Enhanced Printing Options.	324
Printing from Your Computer.	327
Printing from Application Software (Windows Printer Driver).	328
Basic Printing Setup.	329
Paper Settings on the Printer Driver and the Printer (Media Type).	332
Paper Settings on the Printer Driver and the Printer (Paper Size).	334
Various Printing Methods.	336

Setting a Page Size and Orientation.	337
Setting the Number of Copies and Printing Order.	338
Perform Borderless Printing.	340
Scaled Printing.	343
Page Layout Printing.	346
Tiling/Poster Printing.	348
Duplex Printing.	351
Printing on Postcards.	353
Changing the Clear Coating Settings.	355
Setting Paper Dimensions (Custom Size).	357
Setting the Stapling Margin.	359
Fit-to-Page Printing.	361
Booklet Printing.	363
Stamp/Background Printing.	365
Registering a Stamp.	368
Registering Image Data to be Used as a Background.	371
Switching the Paper Source to Match the Purpose.	374
Displaying the Print Results before Printing.	376
Changing the Print Quality and Correcting Image Data.	377
Setting the Print Quality Level (Custom).	378
Printing a Color Document in Monochrome.	380
Specifying Color Correction.	382
Optimal Photo Printing of Image Data.	384
Adjusting Colors with the Printer Driver.	385
Printing with ICC Profiles.	387
Interpreting the ICC Profile.	391
Adjusting Tone.	392
Adjusting Color Balance.	395
Adjusting Brightness.	397
Adjusting Contrast.	399
Printing Using a Web Service.	401
Printing with Google Cloud Print.	402
Getting Google Account.	404
Registering Printer with Google Cloud Print.	405
Printing from Computer or Smartphone with Google Cloud Print.	408
Deleting Printer from Google Cloud Print.	413

Printing from Smartphone/Tablet.	415
Printing from iPhone/iPad/iPod touch (iOS).	416
Printing with Google Cloud Print.	402
Printing from Smartphone/Tablet (Android).	419
Printing with Google Cloud Print.	402
Connecting with Wireless Direct.	171
Printing Using Operation Panel.	426
Printing Templates Such as Lined or Graph Paper.	427
Printing from Digital Camera.	431
Printing Photographs Directly from PictBridge (Wi-Fi) Compliant Device.	432
PictBridge (Wi-Fi) Print Settings.	434
Windows Software.	437
Printer Driver.	438
Overview of the Printer Driver.	439
Canon IJ Printer Driver.	440
How to Open the Printer Driver Setup Window.	441
Canon IJ Status Monitor.	442
Checking Ink Status from Your Computer.	444
Instructions for Use (Printer Driver).	445
Canon IJ Preview.	447
Deleting the Undesired Print Job.	448
Printer Driver Description.	449
Quick Setup Tab Description.	450
Main Tab Description.	456
Page Setup Tab Description.	463
Maintenance Tab Description.	475
Canon IJ Status Monitor Description.	477
Canon IJ Preview Description.	480
Updating the Printer Driver.	483
Installing the Printer Driver.	484
Obtaining the Latest Printer Driver.	485
Deleting the Unnecessary Printer Driver.	486
Before Installing the Printer Driver.	487

Printing Using Canon Application Software.	488
macOS Software.	489
Printing Using Canon Application Software.	490
Frequently Asked Questions.	491
Network Settings and Common Problems.	493
Network Communication Problems.	496
Cannot Find Printer on Network.	497
Cannot Find Printer on Check Printer Settings Screen During Setup (Windows).	498
Cannot Find Printer on Check Printer Settings Screen During Wi-Fi Setup (Windows)-Checking Power Status.	499
Cannot Find Printer on Check Printer Settings Screen During Wi-Fi Setup (Windows)-Checking PC Network Connection.	500
Cannot Find Printer on Check Printer Settings Screen During Wi-Fi Setup (Windows)-Checking Printer's Wi-Fi Settings.	501
Cannot Find Printer on Check Printer Settings Screen During Wi-Fi Setup (Windows)-Checking Wi-Fi Environment.	502
Cannot Find Printer on Check Printer Settings Screen During Wi-Fi Setup (Windows)-Checking Printer's IP Address.	504
Cannot Find Printer on Check Printer Settings Screen During Wi-Fi Setup (Windows)-Checking Security Software Settings.	505
Cannot Find Printer on Check Printer Settings Screen During Wi-Fi Setup (Windows)-Checking Wireless Router Settings.	506
Cannot Find Printer on Check Printer Settings Screen During Wired LAN Setup (Windows)-Checking LAN Cable and Router.	507
Cannot Find Printer on Check Printer Settings Screen During Wired LAN Setup (Windows)-Checking PC Network Connection.	508
Cannot Find Printer on Check Printer Settings Screen During Wired LAN Setup (Windows)-Checking Printer's Wired LAN Settings.	509
Cannot Find Printer on Check Printer Settings Screen During Wired LAN Setup (Windows)-Checking Printer's IP Address.	510
Cannot Find Printer on Check Printer Settings Screen During Wired LAN Setup (Windows)-Checking Security Software Settings.	511
Cannot Find Printer on Check Printer Settings Screen During Wired LAN Setup (Windows)-Checking Router Settings.	512
Cannot Proceed beyond Printer Connection Screen.	513
Cannot Find Printer while Using Wi-Fi.	515
Printer is Not Found by Printer Find Screen of Setup.	518
Searching Printer by IP Address or Host Name During Setup.	519

Cannot Find Printer while Using Wired LAN.	523
Network Connection Problems.	524
Printer Suddenly Stopped Working for Some Reason.	525
Network Key (Password) Unknown.	530
Printer Cannot Be Used After Replacing Wireless Router or Changed Router Settings.	532
Forgot Administrator Password of Printer.	534
Printer Prints Slowly.	535
Cannot Access to Internet on Wi-Fi from Communication Device.	536
No Ink Level Appears in Printer Status Monitor (Windows).	537
Cannot Print or Connect.	538
Other Network Problems.	539
Checking Network Information.	540
Restoring to Factory Defaults.	543
Message Appears on Computer During Setup.	544
Connecting Printer and Wireless Router Using Easy wireless connect.	545
Cannot Connect Smartphone/Tablet to Wireless Router.	546
Downloading Canon PRINT Inkjet/SELPHY.	547
Checking Wireless Router SSID/Key.	548
Checking Wireless Router Network Name (SSID) for Smartphone/Tablet.	549
Privacy Separator/SSID Separator/Network Separation Function.	550
Setting Up Using Smartphone/Tablet.	551
Error Occurs During Wi-Fi Setup.	552
Checking Status Code.	554
Problems while Printing from Smartphone/Tablet.	555
Cannot Print from Smartphone/Tablet.	556
Printing Problems.	560
Printer Does Not Print.	561
Ink Does Not Come Out.	566
Printer Does Not Pick up or Feed the Paper/"No Paper" Error.	568
Cannot Print on the Disc Label.	571
Printout Results Are Unsatisfactory.	573
Printouts Are Blank/Blurry or Fuzzy/Inaccurate or Bleeding Colors/Streaks or Lines.	575
Lines Are Misaligned/Distorted.	578
Paper Is Smudged / Printed Surface Is Scratched.	579
Vertical Line Next to Image.	583
Cannot Complete Printing.	584

Lines Incomplete or Missing (Windows)	585
Images Incomplete or Missing (Windows)	586
Ink Blots / Paper Curl	587
Back of Paper Is Smudged	588
Uneven or Streaked Colors	589
Printing Stops	591
Cannot Print Using AirPrint	592
Paper Does Not Feed from Paper Source Specified in Printer Driver (Windows)	593
Mechanical Problems	594
Printer Does Not Turn On	595
Printer Turns Off Unexpectedly or Repeatedly	596
USB Connection Problems	597
Cannot Communicate with Printer via USB	598
Wrong Language Appears in LCD	599
LCD Is Off	600
Print Head Holder Does Not Move to Replacement Position	601
Printer Status Monitor Not Displayed (Windows)	602
Updating Printer Firmware	603
Installation and Download Problems	605
Failed to Printer Driver Installation (Windows)	606
Updating Printer Driver in Network Environment (Windows)	607
Disable Function to Send Usage Information of Printer	608
Taking Time to Setup Process (Windows)	611
Errors and Messages	612
When Error Occurred	613
Message (Support Code) Appears	615
Error Message Appears on PictBridge (Wi-Fi) Compliant Device	617
If You Cannot Solve a Problem	619
List of Support Code for Error	620
List of Support Code for Error (Paper Jams)	622
1300	623
Paper Is Jammed inside Printer	626
1000	629
1013	631

1200.....	632
1250.....	633
1401.....	634
1600.....	635
1660.....	636
1700.....	637
1890.....	638
2114.....	639
2115.....	642
4103.....	645
5100.....	646
5200.....	647
5B00.....	648
6000.....	649
C000.....	650

Using This Online Manual

- ➔ [Symbols Used in This Document](#)
- ➔ [Touch-enabled Device Users \(Windows\)](#)

Symbols Used in This Document

Warning

Instructions that, if ignored, could result in death, serious personal injury, or property damage caused by incorrect operation of the equipment. These must be observed for safe operation.

Caution

Instructions that, if ignored, could result in personal injury or property damage caused by incorrect operation of the equipment. These must be observed for safe operation.

Important

Instructions including important information that must be observed to avoid damage and injury or improper use of the product. Be sure to read these instructions.

Note

Instructions including notes for operation and additional explanations.

Basics

Instructions explaining basic operations of your product.

Note

- Icons may vary depending on your product.

Touch-enabled Device Users (Windows)

For touch actions, you need to replace "right-click" in this document with the action set on the operating system. For example, if the action is set to "press and hold" on your operating system, replace "right-click" with "press and hold."

Trademarks and Licenses

- Microsoft is a registered trademark of Microsoft Corporation.
- Windows is a trademark or registered trademark of Microsoft Corporation in the U.S. and/or other countries.
- Windows Vista is a trademark or registered trademark of Microsoft Corporation in the U.S. and/or other countries.
- Internet Explorer is a trademark or registered trademark of Microsoft Corporation in the U.S. and/or other countries.
- Mac, Mac OS, macOS, OS X, AirPort, App Store, AirPrint, the AirPrint logo, Safari, Bonjour, iPad, iPhone and iPod touch are trademarks of Apple Inc., registered in the U.S. and other countries.
- IOS is a trademark or registered trademark of Cisco in the U.S. and other countries and is used under license.
- Google Cloud Print, Google Chrome, Chrome OS, Chromebook, Android, Google Drive, Google Apps and Google Analytics are either registered trademarks or trademarks of Google Inc. Google Play and Google Play Logo are trademarks of Google LLC.
- Adobe, Acrobat, Flash, Photoshop, Photoshop Elements, Lightroom, Adobe RGB and Adobe RGB (1998) are either registered trademarks or trademarks of Adobe Systems Incorporated in the United States and/or other countries.
- Bluetooth is a trademark of Bluetooth SIG, Inc., U.S.A. and licensed to Canon Inc.
- Autodesk and AutoCAD are registered trademarks or trademarks of Autodesk, Inc., and/or its subsidiaries and/or affiliates in the USA and/or other countries.
- USB Type-C™ is a trademark of USB Implementers Forum.

»» Note

- The formal name of Windows Vista is Microsoft Windows Vista operating system.

Copyright (c) 2003-2015 Apple Inc. All rights reserved.

Redistribution and use in source and binary forms, with or without modification, are permitted provided that the following conditions are met:

1. Redistributions of source code must retain the above copyright notice, this list of conditions and the following disclaimer.
2. Redistributions in binary form must reproduce the above copyright notice, this list of conditions and the following disclaimer in the documentation and/or other materials provided with the distribution.
3. Neither the name of Apple Inc. ("Apple") nor the names of its contributors may be used to endorse or promote products derived from this software without specific prior written permission.

THIS SOFTWARE IS PROVIDED BY APPLE AND ITS CONTRIBUTORS "AS IS" AND ANY EXPRESS OR IMPLIED WARRANTIES, INCLUDING, BUT NOT LIMITED TO, THE IMPLIED WARRANTIES OF MERCHANTABILITY AND FITNESS FOR A PARTICULAR PURPOSE ARE DISCLAIMED. IN NO EVENT SHALL APPLE OR ITS CONTRIBUTORS BE LIABLE FOR ANY DIRECT, INDIRECT, INCIDENTAL, SPECIAL, EXEMPLARY, OR CONSEQUENTIAL DAMAGES (INCLUDING, BUT NOT LIMITED TO, PROCUREMENT OF SUBSTITUTE GOODS OR SERVICES; LOSS OF USE, DATA, OR PROFITS; OR BUSINESS INTERRUPTION) HOWEVER CAUSED AND ON ANY THEORY OF LIABILITY, WHETHER IN CONTRACT, STRICT LIABILITY, OR TORT (INCLUDING NEGLIGENCE OR OTHERWISE) ARISING IN ANY WAY OUT OF THE USE OF THIS SOFTWARE, EVEN IF ADVISED OF THE POSSIBILITY OF SUCH DAMAGE.

Apache License

Version 2.0, January 2004

<http://www.apache.org/licenses/>

TERMS AND CONDITIONS FOR USE, REPRODUCTION, AND DISTRIBUTION

1. Definitions.

"License" shall mean the terms and conditions for use, reproduction, and distribution as defined by Sections 1 through 9 of this document.

"Licensor" shall mean the copyright owner or entity authorized by the copyright owner that is granting the License.

"Legal Entity" shall mean the union of the acting entity and all other entities that control, are controlled by, or are under common control with that entity. For the purposes of this definition, "control" means (i) the power, direct or indirect, to cause the direction or management of such entity, whether by contract or otherwise, or (ii) ownership of fifty percent (50%) or more of the outstanding shares, or (iii) beneficial ownership of such entity.

"You" (or "Your") shall mean an individual or Legal Entity exercising permissions granted by this License.

"Source" form shall mean the preferred form for making modifications, including but not limited to software source code, documentation source, and configuration files.

"Object" form shall mean any form resulting from mechanical transformation or translation of a Source form, including but not limited to compiled object code, generated documentation, and conversions to other media types.

"Work" shall mean the work of authorship, whether in Source or Object form, made available under the License, as indicated by a copyright notice that is included in or attached to the work (an example is provided in the Appendix below).

"Derivative Works" shall mean any work, whether in Source or Object form, that is based on (or derived from) the Work and for which the editorial revisions, annotations, elaborations, or other modifications represent, as a whole, an original work of authorship. For the purposes of this License, Derivative Works shall not include works that remain separable from, or merely link (or bind by name) to the interfaces of, the Work and Derivative Works thereof.

"Contribution" shall mean any work of authorship, including the original version of the Work and any modifications or additions to that Work or Derivative Works thereof, that is intentionally submitted to Licensor for inclusion in the Work by the copyright owner or by an individual or Legal Entity authorized to submit on behalf of the copyright owner. For the purposes of this definition, "submitted" means any form of electronic, verbal, or written communication sent to the Licensor or its representatives, including but not limited to communication on electronic mailing lists, source code control systems, and issue tracking systems that are managed by, or on behalf of, the Licensor for the purpose of discussing and improving the Work, but excluding communication that is conspicuously marked or otherwise designated in writing by the copyright owner as "Not a Contribution."

"Contributor" shall mean Licensor and any individual or Legal Entity on behalf of whom a Contribution has been received by Licensor and subsequently incorporated within the Work.

2. Grant of Copyright License. Subject to the terms and conditions of this License, each Contributor hereby grants to You a perpetual, worldwide, non-exclusive, no-charge, royalty-free, irrevocable copyright license to reproduce, prepare Derivative Works of, publicly display, publicly perform, sublicense, and distribute the Work and such Derivative Works in Source or Object form.
3. Grant of Patent License. Subject to the terms and conditions of this License, each Contributor hereby grants to You a perpetual, worldwide, non-exclusive, no-charge, royalty-free, irrevocable (except as stated in this section) patent license to make, have made, use, offer to sell, sell, import, and otherwise transfer the Work, where such license applies only to those patent claims licensable by such Contributor that are necessarily infringed by their Contribution(s) alone or by combination of their Contribution(s) with the Work to which such Contribution(s) was submitted. If You institute patent litigation against any entity (including a cross-claim or counterclaim in a lawsuit) alleging that the Work or a Contribution incorporated within the Work constitutes direct or contributory patent infringement, then any patent licenses granted to You under this License for that Work shall terminate as of the date such litigation is filed.
4. Redistribution. You may reproduce and distribute copies of the Work or Derivative Works thereof in any medium, with or without modifications, and in Source or Object form, provided that You meet the following conditions:

1. You must give any other recipients of the Work or Derivative Works a copy of this License; and
2. You must cause any modified files to carry prominent notices stating that You changed the files; and
3. You must retain, in the Source form of any Derivative Works that You distribute, all copyright, patent, trademark, and attribution notices from the Source form of the Work, excluding those notices that do not pertain to any part of the Derivative Works; and
4. If the Work includes a "NOTICE" text file as part of its distribution, then any Derivative Works that You distribute must include a readable copy of the attribution notices contained within such NOTICE file, excluding those notices that do not pertain to any part of the Derivative Works, in at least one of the following places: within a NOTICE text file distributed as part of the Derivative Works; within the Source form or documentation, if provided along with the Derivative Works; or, within a display generated by the Derivative Works, if and wherever such third-party notices normally appear. The contents of the NOTICE file are for informational purposes only and do not modify the License. You may add Your own attribution notices within Derivative Works that You distribute, alongside or as an addendum to the NOTICE text from the Work, provided that such additional attribution notices cannot be construed as modifying the License.

You may add Your own copyright statement to Your modifications and may provide additional or different license terms and conditions for use, reproduction, or distribution of Your modifications, or for any such Derivative Works as a whole, provided Your use, reproduction, and distribution of the Work otherwise complies with the conditions stated in this License.

5. Submission of Contributions. Unless You explicitly state otherwise, any Contribution intentionally submitted for inclusion in the Work by You to the Licensor shall be under the terms and conditions of this License, without any additional terms or conditions. Notwithstanding the above, nothing herein shall supersede or modify the terms of any separate license agreement you may have executed with Licensor regarding such Contributions.
6. Trademarks. This License does not grant permission to use the trade names, trademarks, service marks, or product names of the Licensor, except as required for reasonable and customary use in describing the origin of the Work and reproducing the content of the NOTICE file.

7. Disclaimer of Warranty. Unless required by applicable law or agreed to in writing, Licensor provides the Work (and each Contributor provides its Contributions) on an "AS IS" BASIS, WITHOUT WARRANTIES OR CONDITIONS OF ANY KIND, either express or implied, including, without limitation, any warranties or conditions of TITLE, NON-INFRINGEMENT, MERCHANTABILITY, or FITNESS FOR A PARTICULAR PURPOSE. You are solely responsible for determining the appropriateness of using or redistributing the Work and assume any risks associated with Your exercise of permissions under this License.
8. Limitation of Liability. In no event and under no legal theory, whether in tort (including negligence), contract, or otherwise, unless required by applicable law (such as deliberate and grossly negligent acts) or agreed to in writing, shall any Contributor be liable to You for damages, including any direct, indirect, special, incidental, or consequential damages of any character arising as a result of this License or out of the use or inability to use the Work (including but not limited to damages for loss of goodwill, work stoppage, computer failure or malfunction, or any and all other commercial damages or losses), even if such Contributor has been advised of the possibility of such damages.
9. Accepting Warranty or Additional Liability. While redistributing the Work or Derivative Works thereof, You may choose to offer, and charge a fee for, acceptance of support, warranty, indemnity, or other liability obligations and/or rights consistent with this License. However, in accepting such obligations, You may act only on Your own behalf and on Your sole responsibility, not on behalf of any other Contributor, and only if You agree to indemnify, defend, and hold each Contributor harmless for any liability incurred by, or claims asserted against, such Contributor by reason of your accepting any such warranty or additional liability.

END OF TERMS AND CONDITIONS

---- Part 1: CMU/UCD copyright notice: (BSD like) ----

Copyright 1989, 1991, 1992 by Carnegie Mellon University

Derivative Work - 1996, 1998-2000

Copyright 1996, 1998-2000 The Regents of the University of California

All Rights Reserved

Permission to use, copy, modify and distribute this software and its documentation for any purpose and without fee is hereby granted, provided that the above copyright notice appears in all copies and that both that copyright notice and this permission notice appear in supporting documentation, and that the name of CMU and The Regents of the University of California not be used in advertising or publicity pertaining to distribution of the software without specific written permission.

CMU AND THE REGENTS OF THE UNIVERSITY OF CALIFORNIA DISCLAIM ALL WARRANTIES WITH REGARD TO THIS SOFTWARE, INCLUDING ALL IMPLIED WARRANTIES OF MERCHANTABILITY AND FITNESS. IN NO EVENT SHALL CMU OR THE REGENTS OF THE UNIVERSITY OF CALIFORNIA BE LIABLE FOR ANY SPECIAL, INDIRECT OR CONSEQUENTIAL DAMAGES OR ANY DAMAGES WHATSOEVER RESULTING FROM THE LOSS OF USE, DATA OR PROFITS, WHETHER IN AN ACTION OF CONTRACT, NEGLIGENCE OR OTHER TORTIOUS ACTION, ARISING OUT OF OR IN CONNECTION WITH THE USE OR PERFORMANCE OF THIS SOFTWARE.

---- Part 2: Networks Associates Technology, Inc copyright notice (BSD) ----

Copyright (c) 2001-2003, Networks Associates Technology, Inc

All rights reserved.

Redistribution and use in source and binary forms, with or without modification, are permitted provided that the following conditions are met:

- * Redistributions of source code must retain the above copyright notice, this list of conditions and the following disclaimer.
- * Redistributions in binary form must reproduce the above copyright notice, this list of conditions and the following disclaimer in the documentation and/or other materials provided with the distribution.
- * Neither the name of the Networks Associates Technology, Inc nor the names of its contributors may be used to endorse or promote products derived from this software without specific prior written permission.

THIS SOFTWARE IS PROVIDED BY THE COPYRIGHT HOLDERS AND CONTRIBUTORS ``AS IS" AND ANY EXPRESS OR IMPLIED WARRANTIES, INCLUDING, BUT NOT LIMITED TO, THE IMPLIED WARRANTIES OF MERCHANTABILITY AND FITNESS FOR A PARTICULAR PURPOSE ARE DISCLAIMED. IN NO EVENT SHALL THE COPYRIGHT HOLDERS OR CONTRIBUTORS BE LIABLE FOR ANY DIRECT, INDIRECT, INCIDENTAL, SPECIAL, EXEMPLARY, OR CONSEQUENTIAL DAMAGES (INCLUDING, BUT NOT LIMITED TO, PROCUREMENT OF SUBSTITUTE GOODS OR SERVICES; LOSS OF USE, DATA, OR PROFITS; OR BUSINESS INTERRUPTION) HOWEVER CAUSED AND ON ANY THEORY OF LIABILITY, WHETHER IN CONTRACT, STRICT LIABILITY, OR TORT (INCLUDING NEGLIGENCE OR OTHERWISE) ARISING IN ANY WAY OUT OF THE USE OF THIS SOFTWARE, EVEN IF ADVISED OF THE POSSIBILITY OF SUCH DAMAGE.

---- Part 3: Cambridge Broadband Ltd. copyright notice (BSD) ----

Portions of this code are copyright (c) 2001-2003, Cambridge Broadband Ltd.

All rights reserved.

Redistribution and use in source and binary forms, with or without modification, are permitted provided that the following conditions are met:

- * Redistributions of source code must retain the above copyright notice, this list of conditions and the following disclaimer.
- * Redistributions in binary form must reproduce the above copyright notice, this list of conditions and the following disclaimer in the documentation and/or other materials provided with the distribution.
- * The name of Cambridge Broadband Ltd. may not be used to endorse or promote products derived from this software without specific prior written permission.

THIS SOFTWARE IS PROVIDED BY THE COPYRIGHT HOLDER ``AS IS" AND ANY EXPRESS OR IMPLIED WARRANTIES, INCLUDING, BUT NOT LIMITED TO, THE IMPLIED WARRANTIES OF MERCHANTABILITY AND FITNESS FOR A PARTICULAR PURPOSE ARE DISCLAIMED. IN NO EVENT SHALL THE COPYRIGHT HOLDER BE LIABLE FOR ANY DIRECT, INDIRECT, INCIDENTAL, SPECIAL, EXEMPLARY, OR CONSEQUENTIAL DAMAGES (INCLUDING, BUT NOT LIMITED TO, PROCUREMENT OF SUBSTITUTE GOODS OR SERVICES; LOSS OF USE, DATA, OR PROFITS; OR BUSINESS INTERRUPTION) HOWEVER CAUSED AND ON ANY THEORY OF LIABILITY, WHETHER IN CONTRACT, STRICT LIABILITY, OR TORT (INCLUDING NEGLIGENCE OR OTHERWISE) ARISING IN ANY WAY OUT OF THE USE OF THIS SOFTWARE, EVEN IF ADVISED OF THE POSSIBILITY OF SUCH DAMAGE.

---- Part 4: Sun Microsystems, Inc. copyright notice (BSD) ----

Copyright c 2003 Sun Microsystems, Inc., 4150 Network Circle, Santa Clara, California 95054, U.S.A. All rights reserved.

Use is subject to license terms below.

This distribution may include materials developed by third parties.

Sun, Sun Microsystems, the Sun logo and Solaris are trademarks or registered trademarks of Sun Microsystems, Inc. in the U.S. and other countries.

Redistribution and use in source and binary forms, with or without modification, are permitted provided that the following conditions are met:

- * Redistributions of source code must retain the above copyright notice, this list of conditions and the following disclaimer.
- * Redistributions in binary form must reproduce the above copyright notice, this list of conditions and the following disclaimer in the documentation and/or other materials provided with the distribution.
- * Neither the name of the Sun Microsystems, Inc. nor the names of its contributors may be used to endorse or promote products derived from this software without specific prior written permission.

THIS SOFTWARE IS PROVIDED BY THE COPYRIGHT HOLDERS AND CONTRIBUTORS "AS IS" AND ANY EXPRESS OR IMPLIED WARRANTIES, INCLUDING, BUT NOT LIMITED TO, THE IMPLIED WARRANTIES OF MERCHANTABILITY AND FITNESS FOR A PARTICULAR PURPOSE ARE DISCLAIMED. IN NO EVENT SHALL THE COPYRIGHT HOLDERS OR CONTRIBUTORS BE LIABLE FOR ANY DIRECT, INDIRECT, INCIDENTAL, SPECIAL, EXEMPLARY, OR CONSEQUENTIAL DAMAGES (INCLUDING, BUT NOT LIMITED TO, PROCUREMENT OF SUBSTITUTE GOODS OR SERVICES; LOSS OF USE, DATA, OR PROFITS; OR BUSINESS INTERRUPTION) HOWEVER CAUSED AND ON ANY THEORY OF LIABILITY, WHETHER IN CONTRACT, STRICT LIABILITY, OR TORT (INCLUDING NEGLIGENCE OR OTHERWISE) ARISING IN ANY WAY OUT OF THE USE OF THIS SOFTWARE, EVEN IF ADVISED OF THE POSSIBILITY OF SUCH DAMAGE.

---- Part 5: Sparta, Inc copyright notice (BSD) ----

Copyright (c) 2003-2012, Sparta, Inc

All rights reserved.

Redistribution and use in source and binary forms, with or without modification, are permitted provided that the following conditions are met:

- * Redistributions of source code must retain the above copyright notice, this list of conditions and the following disclaimer.
- * Redistributions in binary form must reproduce the above copyright notice, this list of conditions and the following disclaimer in the documentation and/or other materials provided with the distribution.
- * Neither the name of Sparta, Inc nor the names of its contributors may be used to endorse or promote products derived from this software without specific prior written permission.

THIS SOFTWARE IS PROVIDED BY THE COPYRIGHT HOLDERS AND CONTRIBUTORS "AS IS" AND ANY EXPRESS OR IMPLIED WARRANTIES, INCLUDING, BUT NOT LIMITED TO, THE IMPLIED WARRANTIES OF MERCHANTABILITY AND FITNESS FOR A PARTICULAR PURPOSE ARE DISCLAIMED. IN NO EVENT SHALL THE COPYRIGHT HOLDERS OR CONTRIBUTORS BE LIABLE FOR ANY DIRECT, INDIRECT, INCIDENTAL, SPECIAL, EXEMPLARY, OR CONSEQUENTIAL DAMAGES (INCLUDING, BUT NOT LIMITED TO, PROCUREMENT OF SUBSTITUTE GOODS OR SERVICES; LOSS OF USE, DATA, OR PROFITS; OR BUSINESS INTERRUPTION) HOWEVER CAUSED AND ON ANY THEORY OF LIABILITY, WHETHER IN CONTRACT, STRICT LIABILITY, OR

TORT (INCLUDING NEGLIGENCE OR OTHERWISE) ARISING IN ANY WAY OUT OF THE USE OF THIS SOFTWARE, EVEN IF ADVISED OF THE POSSIBILITY OF SUCH DAMAGE.

---- Part 6: Cisco/BUPTNIC copyright notice (BSD) ----

Copyright (c) 2004, Cisco, Inc and Information Network Center of Beijing University of Posts and Telecommunications.

All rights reserved.

Redistribution and use in source and binary forms, with or without modification, are permitted provided that the following conditions are met:

- * Redistributions of source code must retain the above copyright notice, this list of conditions and the following disclaimer.
- * Redistributions in binary form must reproduce the above copyright notice, this list of conditions and the following disclaimer in the documentation and/or other materials provided with the distribution.
- * Neither the name of Cisco, Inc, Beijing University of Posts and Telecommunications, nor the names of their contributors may be used to endorse or promote products derived from this software without specific prior written permission.

THIS SOFTWARE IS PROVIDED BY THE COPYRIGHT HOLDERS AND CONTRIBUTORS ``AS IS" AND ANY EXPRESS OR IMPLIED WARRANTIES, INCLUDING, BUT NOT LIMITED TO, THE IMPLIED WARRANTIES OF MERCHANTABILITY AND FITNESS FOR A PARTICULAR PURPOSE ARE DISCLAIMED. IN NO EVENT SHALL THE COPYRIGHT HOLDERS OR CONTRIBUTORS BE LIABLE FOR ANY DIRECT, INDIRECT, INCIDENTAL, SPECIAL, EXEMPLARY, OR CONSEQUENTIAL DAMAGES (INCLUDING, BUT NOT LIMITED TO, PROCUREMENT OF SUBSTITUTE GOODS OR SERVICES; LOSS OF USE, DATA, OR PROFITS; OR BUSINESS INTERRUPTION) HOWEVER CAUSED AND ON ANY THEORY OF LIABILITY, WHETHER IN CONTRACT, STRICT LIABILITY, OR TORT (INCLUDING NEGLIGENCE OR OTHERWISE) ARISING IN ANY WAY OUT OF THE USE OF THIS SOFTWARE, EVEN IF ADVISED OF THE POSSIBILITY OF SUCH DAMAGE.

---- Part 7: Fabasoft R&D Software GmbH & Co KG copyright notice (BSD) ----

Copyright (c) Fabasoft R&D Software GmbH & Co KG, 2003 oss@fabasoft.com

Author: Bernhard Penz <bernhard.penz@fabasoft.com>

Redistribution and use in source and binary forms, with or without modification, are permitted provided that the following conditions are met:

- * Redistributions of source code must retain the above copyright notice, this list of conditions and the following disclaimer.
- * Redistributions in binary form must reproduce the above copyright notice, this list of conditions and the following disclaimer in the documentation and/or other materials provided with the distribution.
- * The name of Fabasoft R&D Software GmbH & Co KG or any of its subsidiaries, brand or product names may not be used to endorse or promote products derived from this software without specific prior written permission.

THIS SOFTWARE IS PROVIDED BY THE COPYRIGHT HOLDER ``AS IS" AND ANY EXPRESS OR IMPLIED WARRANTIES, INCLUDING, BUT NOT LIMITED TO, THE IMPLIED WARRANTIES OF MERCHANTABILITY AND FITNESS FOR A PARTICULAR PURPOSE ARE DISCLAIMED. IN NO EVENT SHALL THE COPYRIGHT HOLDER BE LIABLE FOR ANY DIRECT, INDIRECT, INCIDENTAL,

SPECIAL, EXEMPLARY, OR CONSEQUENTIAL DAMAGES (INCLUDING, BUT NOT LIMITED TO, PROCUREMENT OF SUBSTITUTE GOODS OR SERVICES; LOSS OF USE, DATA, OR PROFITS; OR BUSINESS INTERRUPTION) HOWEVER CAUSED AND ON ANY THEORY OF LIABILITY, WHETHER IN CONTRACT, STRICT LIABILITY, OR TORT (INCLUDING NEGLIGENCE OR OTHERWISE) ARISING IN ANY WAY OUT OF THE USE OF THIS SOFTWARE, EVEN IF ADVISED OF THE POSSIBILITY OF SUCH DAMAGE.

---- Part 8: Apple Inc. copyright notice (BSD) ----

Copyright (c) 2007 Apple Inc. All rights reserved.

Redistribution and use in source and binary forms, with or without modification, are permitted provided that the following conditions are met:

1. Redistributions of source code must retain the above copyright notice, this list of conditions and the following disclaimer.
2. Redistributions in binary form must reproduce the above copyright notice, this list of conditions and the following disclaimer in the documentation and/or other materials provided with the distribution.
3. Neither the name of Apple Inc. ("Apple") nor the names of its contributors may be used to endorse or promote products derived from this software without specific prior written permission.

THIS SOFTWARE IS PROVIDED BY APPLE AND ITS CONTRIBUTORS "AS IS" AND ANY EXPRESS OR IMPLIED WARRANTIES, INCLUDING, BUT NOT LIMITED TO, THE IMPLIED WARRANTIES OF MERCHANTABILITY AND FITNESS FOR A PARTICULAR PURPOSE ARE DISCLAIMED. IN NO EVENT SHALL APPLE OR ITS CONTRIBUTORS BE LIABLE FOR ANY DIRECT, INDIRECT, INCIDENTAL, SPECIAL, EXEMPLARY, OR CONSEQUENTIAL DAMAGES (INCLUDING, BUT NOT LIMITED TO, PROCUREMENT OF SUBSTITUTE GOODS OR SERVICES; LOSS OF USE, DATA, OR PROFITS; OR BUSINESS INTERRUPTION) HOWEVER CAUSED AND ON ANY THEORY OF LIABILITY, WHETHER IN CONTRACT, STRICT LIABILITY, OR TORT (INCLUDING NEGLIGENCE OR OTHERWISE) ARISING IN ANY WAY OUT OF THE USE OF THIS SOFTWARE, EVEN IF ADVISED OF THE POSSIBILITY OF SUCH DAMAGE.

---- Part 9: ScienceLogic, LLC copyright notice (BSD) ----

Copyright (c) 2009, ScienceLogic, LLC

All rights reserved.

Redistribution and use in source and binary forms, with or without modification, are permitted provided that the following conditions are met:

- * Redistributions of source code must retain the above copyright notice, this list of conditions and the following disclaimer.
- * Redistributions in binary form must reproduce the above copyright notice, this list of conditions and the following disclaimer in the documentation and/or other materials provided with the distribution.
- * Neither the name of ScienceLogic, LLC nor the names of its contributors may be used to endorse or promote products derived from this software without specific prior written permission.

THIS SOFTWARE IS PROVIDED BY THE COPYRIGHT HOLDERS AND CONTRIBUTORS "AS IS" AND ANY EXPRESS OR IMPLIED WARRANTIES, INCLUDING, BUT NOT LIMITED TO, THE IMPLIED WARRANTIES OF MERCHANTABILITY AND FITNESS FOR A PARTICULAR PURPOSE ARE DISCLAIMED. IN NO EVENT SHALL THE COPYRIGHT HOLDERS OR CONTRIBUTORS BE LIABLE

FOR ANY DIRECT, INDIRECT, INCIDENTAL, SPECIAL, EXEMPLARY, OR CONSEQUENTIAL DAMAGES (INCLUDING, BUT NOT LIMITED TO, PROCUREMENT OF SUBSTITUTE GOODS OR SERVICES; LOSS OF USE, DATA, OR PROFITS; OR BUSINESS INTERRUPTION) HOWEVER CAUSED AND ON ANY THEORY OF LIABILITY, WHETHER IN CONTRACT, STRICT LIABILITY, OR TORT (INCLUDING NEGLIGENCE OR OTHERWISE) ARISING IN ANY WAY OUT OF THE USE OF THIS SOFTWARE, EVEN IF ADVISED OF THE POSSIBILITY OF SUCH DAMAGE.

LEADTOOLS

Copyright (C) 1991-2009 LEAD Technologies, Inc.

CMap Resources

Copyright 1990-2009 Adobe Systems Incorporated.

All rights reserved.

Copyright 1990-2010 Adobe Systems Incorporated.

All rights reserved.

Redistribution and use in source and binary forms, with or without modification, are permitted provided that the following conditions are met:

Redistributions of source code must retain the above copyright notice, this list of conditions and the following disclaimer.

Redistributions in binary form must reproduce the above copyright notice, this list of conditions and the following disclaimer in the documentation and/or other materials provided with the distribution.

Neither the name of Adobe Systems Incorporated nor the names of its contributors may be used to endorse or promote products derived from this software without specific prior written permission.

THIS SOFTWARE IS PROVIDED BY THE COPYRIGHT HOLDERS AND CONTRIBUTORS "AS IS" AND ANY EXPRESS OR IMPLIED WARRANTIES, INCLUDING, BUT NOT LIMITED TO, THE IMPLIED WARRANTIES OF MERCHANTABILITY AND FITNESS FOR A PARTICULAR PURPOSE ARE DISCLAIMED. IN NO EVENT SHALL THE COPYRIGHT HOLDER OR CONTRIBUTORS BE LIABLE FOR ANY DIRECT, INDIRECT, INCIDENTAL, SPECIAL, EXEMPLARY, OR CONSEQUENTIAL DAMAGES (INCLUDING, BUT NOT LIMITED TO, PROCUREMENT OF SUBSTITUTE GOODS OR SERVICES; LOSS OF USE, DATA, OR PROFITS; OR BUSINESS INTERRUPTION) HOWEVER CAUSED AND ON ANY THEORY OF LIABILITY, WHETHER IN CONTRACT, STRICT LIABILITY, OR TORT (INCLUDING NEGLIGENCE OR OTHERWISE) ARISING IN ANY WAY OUT OF THE USE OF THIS SOFTWARE, EVEN IF ADVISED OF THE POSSIBILITY OF SUCH DAMAGE.

MIT License

Copyright (c) 1998, 1999, 2000 Thai Open Source Software Center Ltd

Permission is hereby granted, free of charge, to any person obtaining a copy of this software and associated documentation files (the "Software"), to deal in the Software without restriction, including without limitation the rights to use, copy, modify, merge, publish, distribute, sublicense, and/or sell copies of the Software, and to permit persons to whom the Software is furnished to do so, subject to the following conditions:

The above copyright notice and this permission notice shall be included in all copies or substantial portions of the Software.

THE SOFTWARE IS PROVIDED "AS IS", WITHOUT WARRANTY OF ANY KIND, EXPRESS OR IMPLIED, INCLUDING BUT NOT LIMITED TO THE WARRANTIES OF MERCHANTABILITY, FITNESS FOR A PARTICULAR PURPOSE AND NONINFRINGEMENT. IN NO EVENT SHALL THE AUTHORS OR COPYRIGHT HOLDERS BE LIABLE FOR ANY CLAIM, DAMAGES OR OTHER LIABILITY, WHETHER IN AN ACTION OF CONTRACT, TORT OR OTHERWISE, ARISING FROM, OUT OF OR IN CONNECTION WITH THE SOFTWARE OR THE USE OR OTHER DEALINGS IN THE SOFTWARE.

Copyright 2000 Computing Research Labs, New Mexico State University

Copyright 2001-2015 Francesco Zappa Nardelli

Permission is hereby granted, free of charge, to any person obtaining a copy of this software and associated documentation files (the "Software"), to deal in the Software without restriction, including without limitation the rights to use, copy, modify, merge, publish, distribute, sublicense, and/or sell copies of the Software, and to permit persons to whom the Software is furnished to do so, subject to the following conditions:

The above copyright notice and this permission notice shall be included in all copies or substantial portions of the Software.

THE SOFTWARE IS PROVIDED "AS IS", WITHOUT WARRANTY OF ANY KIND, EXPRESS OR IMPLIED, INCLUDING BUT NOT LIMITED TO THE WARRANTIES OF MERCHANTABILITY, FITNESS FOR A PARTICULAR PURPOSE AND NONINFRINGEMENT. IN NO EVENT SHALL THE COMPUTING RESEARCH LAB OR NEW MEXICO STATE UNIVERSITY BE LIABLE FOR ANY CLAIM, DAMAGES OR OTHER LIABILITY, WHETHER IN AN ACTION OF CONTRACT, TORT OR OTHERWISE, ARISING FROM, OUT OF OR IN CONNECTION WITH THE SOFTWARE OR THE USE OR OTHER DEALINGS IN THE SOFTWARE.

Written by Joel Sherrill <joel@OARcorp.com>.

COPYRIGHT (c) 1989-2000.

On-Line Applications Research Corporation (OAR).

Permission to use, copy, modify, and distribute this software for any purpose without fee is hereby granted, provided that this entire notice is included in all copies of any software which is or includes a copy or modification of this software.

THIS SOFTWARE IS BEING PROVIDED "AS IS", WITHOUT ANY EXPRESS OR IMPLIED WARRANTY. IN PARTICULAR, THE AUTHOR MAKES NO REPRESENTATION OR WARRANTY OF ANY KIND

CONCERNING THE MERCHANTABILITY OF THIS SOFTWARE OR ITS FITNESS FOR ANY PARTICULAR PURPOSE.

(1) Red Hat Incorporated

Copyright (c) 1994-2009 Red Hat, Inc. All rights reserved.

This copyrighted material is made available to anyone wishing to use, modify, copy, or redistribute it subject to the terms and conditions of the BSD License. This program is distributed in the hope that it will be useful, but WITHOUT ANY WARRANTY expressed or implied, including the implied warranties of MERCHANTABILITY or FITNESS FOR A PARTICULAR PURPOSE. A copy of this license is available at <http://www.opensource.org/licenses>. Any Red Hat trademarks that are incorporated in the source code or documentation are not subject to the BSD License and may only be used or replicated with the express permission of Red Hat, Inc.

(2) University of California, Berkeley

Copyright (c) 1981-2000 The Regents of the University of California.

All rights reserved.

Redistribution and use in source and binary forms, with or without modification, are permitted provided that the following conditions are met:

- * Redistributions of source code must retain the above copyright notice, this list of conditions and the following disclaimer.
- * Redistributions in binary form must reproduce the above copyright notice, this list of conditions and the following disclaimer in the documentation and/or other materials provided with the distribution.
- * Neither the name of the University nor the names of its contributors may be used to endorse or promote products derived from this software without specific prior written permission.

THIS SOFTWARE IS PROVIDED BY THE COPYRIGHT HOLDERS AND CONTRIBUTORS "AS IS" AND ANY EXPRESS OR IMPLIED WARRANTIES, INCLUDING, BUT NOT LIMITED TO, THE IMPLIED WARRANTIES OF MERCHANTABILITY AND FITNESS FOR A PARTICULAR PURPOSE ARE DISCLAIMED. IN NO EVENT SHALL THE COPYRIGHT OWNER OR CONTRIBUTORS BE LIABLE FOR ANY DIRECT, INDIRECT, INCIDENTAL, SPECIAL, EXEMPLARY, OR CONSEQUENTIAL DAMAGES (INCLUDING, BUT NOT LIMITED TO, PROCUREMENT OF SUBSTITUTE GOODS OR SERVICES; LOSS OF USE, DATA, OR PROFITS; OR BUSINESS INTERRUPTION) HOWEVER CAUSED AND ON ANY THEORY OF LIABILITY, WHETHER IN CONTRACT, STRICT LIABILITY, OR TORT (INCLUDING NEGLIGENCE OR OTHERWISE) ARISING IN ANY WAY OUT OF THE USE OF THIS SOFTWARE, EVEN IF ADVISED OF THE POSSIBILITY OF SUCH DAMAGE.

The FreeType Project LICENSE

2006-Jan-27

Copyright 1996-2002, 2006 by

David Turner, Robert Wilhelm, and Werner Lemberg

Introduction

=====

The FreeType Project is distributed in several archive packages; some of them may contain, in addition to the FreeType font engine, various tools and contributions which rely on, or relate to, the FreeType Project.

This license applies to all files found in such packages, and which do not fall under their own explicit license. The license affects thus the FreeType font engine, the test programs, documentation and makefiles, at the very least.

This license was inspired by the BSD, Artistic, and IJG (Independent JPEG Group) licenses, which all encourage inclusion and use of free software in commercial and freeware products alike. As a consequence, its main points are that:

- o We don't promise that this software works. However, we will be interested in any kind of bug reports. ('as is' distribution)
- o You can use this software for whatever you want, in parts or full form, without having to pay us. ('royalty-free' usage)
- o You may not pretend that you wrote this software. If you use it, or only parts of it, in a program, you must acknowledge somewhere in your documentation that you have used the FreeType code. ('credits')

We specifically permit and encourage the inclusion of this software, with or without modifications, in commercial products.

We disclaim all warranties covering The FreeType Project and assume no liability related to The FreeType Project.

Finally, many people asked us for a preferred form for a credit/disclaimer to use in compliance with this license. We thus encourage you to use the following text:

Portions of this software are copyright © <year> The FreeType Project (www.freetype.org). All rights reserved.

Please replace <year> with the value from the FreeType version you actually use.

Legal Terms

=====

0. Definitions

Throughout this license, the terms 'package', 'FreeType Project', and 'FreeType archive' refer to the set of files originally distributed by the authors (David Turner, Robert Wilhelm, and Werner Lemberg) as the 'FreeType Project', be they named as alpha, beta or final release.

'You' refers to the licensee, or person using the project, where 'using' is a generic term including compiling the project's source code as well as linking it to form a 'program' or 'executable'.

This program is referred to as 'a program using the FreeType engine'.

This license applies to all files distributed in the original FreeType Project, including all source code, binaries and documentation, unless otherwise stated in the file in its original, unmodified form as distributed in the original archive.

If you are unsure whether or not a particular file is covered by this license, you must contact us to verify this.

The FreeType Project is copyright (C) 1996-2000 by David Turner, Robert Wilhelm, and Werner Lemberg. All rights reserved except as specified below.

1. No Warranty

THE FREETYPE PROJECT IS PROVIDED 'AS IS' WITHOUT WARRANTY OF ANY KIND, EITHER EXPRESS OR IMPLIED, INCLUDING, BUT NOT LIMITED TO, WARRANTIES OF MERCHANTABILITY AND FITNESS FOR A PARTICULAR PURPOSE. IN NO EVENT WILL ANY OF THE AUTHORS OR COPYRIGHT HOLDERS BE LIABLE FOR ANY DAMAGES CAUSED BY THE USE OR THE INABILITY TO USE, OF THE FREETYPE PROJECT.

2. Redistribution

This license grants a worldwide, royalty-free, perpetual and irrevocable right and license to use, execute, perform, compile, display, copy, create derivative works of, distribute and sublicense the FreeType Project (in both source and object code forms) and derivative works thereof for any purpose; and to authorize others to exercise some or all of the rights granted herein, subject to the following conditions:

- o Redistribution of source code must retain this license file ('FTL.TXT') unaltered; any additions, deletions or changes to the original files must be clearly indicated in accompanying documentation. The copyright notices of the unaltered, original files must be preserved in all copies of source files.
- o Redistribution in binary form must provide a disclaimer that states that the software is based in part of the work of the FreeType Team, in the distribution documentation. We also encourage you to put an URL to the FreeType web page in your documentation, though this isn't mandatory.

These conditions apply to any software derived from or based on the FreeType Project, not just the unmodified files. If you use our work, you must acknowledge us. However, no fee need be paid to us.

3. Advertising

Neither the FreeType authors and contributors nor you shall use the name of the other for commercial, advertising, or promotional purposes without specific prior written permission.

We suggest, but do not require, that you use one or more of the following phrases to refer to this software in your documentation or advertising materials: 'FreeType Project', 'FreeType Engine', 'FreeType library', or 'FreeType Distribution'.

As you have not signed this license, you are not required to accept it. However, as the FreeType Project is copyrighted material, only this license, or another one contracted with the authors, grants you the right to use, distribute, and modify it.

Therefore, by using, distributing, or modifying the FreeType Project, you indicate that you understand and accept all the terms of this license.

4. Contacts

There are two mailing lists related to FreeType:

- o freetype@nongnu.org

Discusses general use and applications of FreeType, as well as future and wanted additions to the library and distribution.

If you are looking for support, start in this list if you haven't found anything to help you in the documentation.

o freetype-devel@nongnu.org

Discusses bugs, as well as engine internals, design issues, specific licenses, porting, etc.

Our home page can be found at

<http://www.freetype.org>

--- end of FTL.TXT ---

The TWAIN Toolkit is distributed as is. The developer and distributors of the TWAIN Toolkit expressly disclaim all implied, express or statutory warranties including, without limitation, the implied warranties of merchantability, noninfringement of third party rights and fitness for a particular purpose. Neither the developers nor the distributors will be liable for damages, whether direct, indirect, special, incidental, or consequential, as a result of the reproduction, modification, distribution or other use of the TWAIN Toolkit.

JSON for Modern C++

Copyright (c) 2013-2017 Niels Lohmann

Permission is hereby granted, free of charge, to any person obtaining a copy of this software and associated documentation files (the "Software"), to deal in the Software without restriction, including without limitation the rights to use, copy, modify, merge, publish, distribute, sublicense, and/or sell copies of the Software, and to permit persons to whom the Software is furnished to do so, subject to the following conditions:

The above copyright notice and this permission notice shall be included in all copies or substantial portions of the Software.

THE SOFTWARE IS PROVIDED "AS IS", WITHOUT WARRANTY OF ANY KIND, EXPRESS OR IMPLIED, INCLUDING BUT NOT LIMITED TO THE WARRANTIES OF MERCHANTABILITY, FITNESS FOR A PARTICULAR PURPOSE AND NONINFRINGEMENT. IN NO EVENT SHALL THE AUTHORS OR COPYRIGHT HOLDERS BE LIABLE FOR ANY CLAIM, DAMAGES OR OTHER LIABILITY, WHETHER IN AN ACTION OF CONTRACT, TORT OR OTHERWISE, ARISING FROM, OUT OF OR IN CONNECTION WITH THE SOFTWARE OR THE USE OR OTHER DEALINGS IN THE SOFTWARE.

Copyright (c) 2011 - 2015 ARM LIMITED

All rights reserved.

Redistribution and use in source and binary forms, with or without modification, are permitted provided that the following conditions are met:

- Redistributions of source code must retain the above copyright notice, this list of conditions and the following disclaimer.
- Redistributions in binary form must reproduce the above copyright notice, this list of conditions and the following disclaimer in the documentation and/or other materials provided with the distribution.
- Neither the name of ARM nor the names of its contributors may be used to endorse or promote products derived from this software without specific prior written permission.

THIS SOFTWARE IS PROVIDED BY THE COPYRIGHT HOLDERS AND CONTRIBUTORS "AS IS" AND ANY EXPRESS OR IMPLIED WARRANTIES, INCLUDING, BUT NOT LIMITED TO, THE IMPLIED WARRANTIES OF MERCHANTABILITY AND FITNESS FOR A PARTICULAR PURPOSE ARE DISCLAIMED. IN NO EVENT SHALL COPYRIGHT HOLDERS AND CONTRIBUTORS BE LIABLE FOR ANY DIRECT, INDIRECT, INCIDENTAL, SPECIAL, EXEMPLARY, OR CONSEQUENTIAL DAMAGES (INCLUDING, BUT NOT LIMITED TO, PROCUREMENT OF SUBSTITUTE GOODS OR SERVICES; LOSS OF USE, DATA, OR PROFITS; OR BUSINESS INTERRUPTION) HOWEVER CAUSED AND ON ANY THEORY OF LIABILITY, WHETHER IN CONTRACT, STRICT LIABILITY, OR TORT (INCLUDING NEGLIGENCE OR OTHERWISE) ARISING IN ANY WAY OUT OF THE USE OF THIS SOFTWARE, EVEN IF ADVISED OF THE POSSIBILITY OF SUCH DAMAGE.

The following applies only to products supporting Wi-Fi.

(c) 2009-2013 by Jeff Mott. All rights reserved.

Redistribution and use in source and binary forms, with or without modification, are permitted provided that the following conditions are met:

- * Redistributions of source code must retain the above copyright notice, this list of conditions, and the following disclaimer.
- * Redistributions in binary form must reproduce the above copyright notice, this list of conditions, and the following disclaimer in the documentation or other materials provided with the distribution.
- * Neither the name CryptoJS nor the names of its contributors may be used to endorse or promote products derived from this software without specific prior written permission.

THIS SOFTWARE IS PROVIDED BY THE COPYRIGHT HOLDERS AND CONTRIBUTORS "AS IS," AND ANY EXPRESS OR IMPLIED WARRANTIES, INCLUDING, BUT NOT LIMITED TO, THE IMPLIED WARRANTIES OF MERCHANTABILITY AND FITNESS FOR A PARTICULAR PURPOSE, ARE DISCLAIMED. IN NO EVENT SHALL THE COPYRIGHT HOLDER OR CONTRIBUTORS BE LIABLE FOR ANY DIRECT, INDIRECT, INCIDENTAL, SPECIAL, EXEMPLARY, OR CONSEQUENTIAL DAMAGES (INCLUDING, BUT NOT LIMITED TO, PROCUREMENT OF SUBSTITUTE GOODS OR SERVICES; LOSS OF USE, DATA, OR PROFITS; OR BUSINESS INTERRUPTION) HOWEVER CAUSED AND ON ANY THEORY OF LIABILITY, WHETHER IN CONTRACT, STRICT LIABILITY, OR TORT (INCLUDING NEGLIGENCE OR OTHERWISE) ARISING IN ANY WAY OUT OF THE USE OF THIS SOFTWARE, EVEN IF ADVISED OF THE POSSIBILITY OF SUCH DAMAGE.

Information about Paper

- **Supported Media Types**
- **Paper Load Limit**
- **Unsupported Media Types**
- **Handling Paper**
- **Before Printing on Art Paper**

Supported Media Types

For best results, choose paper designed for how you are printing. A variety of paper for documents as well as photos or illustrations is available from Canon. Use genuine Canon paper to print important photos, when possible.

- ➔ [Media Types](#)
- ➔ [Page Sizes](#)
- ➔ [Paper Weight / Thickness](#)

Media Types

Genuine Canon paper

▶▶▶ Note

- For warnings on use of the non-printable side, see each product's usage information.
- Page sizes and media types differ depending on the country or region where the paper is sold. For details on page sizes and media types, access the Canon website.
- Genuine Canon paper is not available in some countries or regions. Note that in the United States, Canon paper is not sold by model number. Instead, purchase paper by name.

Paper for printing documents:

- Canon Red Label Superior <WOP111>
- Canon Océ Office Colour Paper <SAT213>

Paper for printing photos:

- Photo Paper Pro Platinum <PT-101>
- Photo Paper Plus Glossy II <PP-201/PP-208/PP-301>
- Photo Paper Pro Luster <LU-101>
- Photo Paper Plus Semi-gloss <SG-201>
- Matte Photo Paper <MP-101>
- Photo Paper Pro Premium Matte <PM-101>
- Premium Fine Art Smooth <FA-SM1>
- Premium Fine Art Rough <FA-RG1>

Paper for making original goods:

- Printable Nail Stickers <NL-101>

Paper other than genuine Canon paper

- Plain Paper (including recycled paper)
- Greeting Card
- Card Stock

- ➔ [Paper Load Limit](#)
- ➔ [Paper Settings on the Printer Driver and the Printer \(Media Type\)](#) (Windows)
- ➔ Paper Settings on the Printer Driver and the Printer (Media Type) (Mac)

▶▶▶ Note

- When printing photos saved on a PictBridge (Wi-Fi) compliant device, you must specify the page size and media type.
 - ➔ [Printing from Digital Camera](#)
- When using art paper, see [Before Printing on Art Paper](#).

Page Sizes

You can use the following page sizes.

▶▶▶ Note

- Page sizes and media types the printer supports differ depending on the OS you are using.

Standard sizes:

- top feed
 - Letter
 - Legal
 - 11"x17"(28x43cm)
 - A5
 - A4
 - A3
 - A3+
 - B5
 - B4
 - KG/4"x6"(10x15)
 - 5"x7"(13x18cm)
 - 7"x10"(18x25cm)
 - 8"x10"(20x25cm)
 - 10"x12"(25x30cm)
 - 210x594mm
 - L(89x127mm)
 - 2L(127x178mm)
 - Square 5"
 - 12"x12"(30x30cm)
 - Hagaki

- Hagaki 2
- manual feed tray
 - Letter
 - Legal
 - 11"x17"(28x43cm)
 - A4
 - A3
 - A3+
 - B4
 - 8"x10"(20x25cm)
 - 10"x12"(25x30cm)
 - 210x594mm
 - 12"x12"(30x30cm)

Special sizes

Special page sizes must be within the following limits:

- top feed
 - Minimum size: 3.50 x 5.00 in. (89.0 x 127.0 mm)
 - Maximum size: 12.95 x 39.00 in. (329.0 x 990.6 mm)
- manual feed tray
 - Minimum size: 8.00 x 10.00 in. (203.2 x 254.0 mm)
 - Maximum size: 13.00 x 39.00 in. (330.2 x 990.6 mm)

Paper Weight / Thickness

You can use paper in the following weight/thickness ranges.

* Do not use paper heavier or thicker than this, as it could jam in the printer.

- top feed
 - Plain paper: From 17 to 28 lb (64 to 105 g /m²)
 - Specialty paper: Up to 80 lb (300 g /m²) / from 4 to 11.8 mil (0.1 to 0.3 mm)
- manual feed tray
 - Specialty paper: Up to 93 lb (350 g /m²) / from 4 to 23.6 mil (0.1 to 0.6 mm)

Paper Load Limit

This section shows the paper load limits of the top feed, the manual feed tray, and the paper output tray.

- ➔ [Paper Load Limits of Top Feed and Manual Feed Tray](#)
- ➔ [Paper Load Limit of Paper Output Tray](#)

▶▶▶ Note

- Page sizes and media types differ depending on the country or region where the paper is sold. For details on page sizes and media types, access the Canon website.

Paper Load Limits of Top Feed and Manual Feed Tray

Genuine Canon Paper

Paper for printing documents:

Media Name <Model No.>	Top Feed
Canon Red Label Superior <WOP111>	Approx. 100 sheets
Canon Océ Office Colour Paper <SAT213>	Approx. 80 sheets

Paper for printing photos:

Media Name <Model No.>	Top Feed	Manual Feed Tray
Photo Paper Pro Platinum <PT-101> ^{*1} Photo Paper Plus Glossy II <PP-201/PP-208/PP-301> ^{*1} Photo Paper Pro Luster <LU-101> ^{*1} Photo Paper Plus Semi-gloss <SG-201> ^{*1} Matte Photo Paper <MP-101>	KG/4"x6"(10x15), L(89x127mm), Square 5", Ha- gaki: 20 sheets A4, A3, Letter, 5"x7"(13x18cm), 8"x10"(20x25cm), 2L(127x178mm): 10 sheets A3+, 10"x12"(25x30cm): 1 sheet	1 sheet
Photo Paper Pro Premium Matte <PM-101> Premium Fine Art Smooth <FA-SM1> Premium Fine Art Rough <FA-RG1>	N/A	1 sheet

Paper other than Genuine Canon Paper

Common Name	Top Feed	Manual Feed Tray
Plain Paper (including recycled paper) ^{*2}	A5, A4, B5, Letter: Approx. 100 sheets A3, B4, Legal, 11"x17"(28x43cm): Approx. 50 sheets	N/A

Greeting Card	1 sheet	1 sheet
Card Stock	1 sheet	1 sheet

*1 Feeding from a loaded stack of paper may leave marks on the printed side or prevent efficient feeding. In this case, load one sheet at a time.

*2 Normal feeding at maximum capacity may not be possible with some types of paper, or under very high or low temperature or humidity. In this case, load half the amount of paper or less.

▶▶ Note

- When using non-Canon genuine specialty paper, load one sheet at a time in the top feed or manual feed tray.

Paper Load Limit of Paper Output Tray

Genuine Canon Paper

Paper for printing documents:

Media Name <Model No.>	Paper Output Tray
Canon Red Label Superior <WOP111> Canon Océ Office Colour Paper <SAT213>	Approx. 50 sheets

Paper other than Genuine Canon Paper

Common Name	Paper Output Tray
Plain Paper (including recycled paper)	Approx. 50 sheets

When continuing printing with paper other than the above, we recommend removing already printed paper from the paper output tray to avoid smearing or discoloration.

Unsupported Media Types

Do not use the following types of paper. Using such paper will cause not only unsatisfactory results, but also the printer to jam or malfunction.

- Folded, curled, or wrinkled paper
- Damp paper
- Paper that is too thin
 - top feed
 - Plain paper: Less than 17 lb (64 g /m²)
 - Specialty paper: Less than 4 mil (0.1 mm)
 - manual feed tray
 - Specialty paper: Less than 4 mil (0.1 mm)
- Paper that is too thick
 - top feed
 - Plain paper: More than 28 lb (105 g /m²)
 - Specialty paper: More than 80 lb (300 g /m²) or more than 11.8 mil (0.3 mm)
 - manual feed tray
 - Specialty paper: More than 93 lb (350 g /m²) or more than 23.6 mil (0.6 mm)
- Paper thinner than a postcard, including plain paper or notepad paper cut to a small size (when printing on paper smaller than A5)
- Picture postcards
- Postcards affixed with photos or stickers
- Envelopes
- Any type of paper with holes
- Paper that is not rectangular
- Paper bound with staples or glue
- Paper with an adhesive surface on the back such as label seal
- Paper decorated with glitter, etc.

Handling Paper

- Be careful not to rub or scratch the surfaces of any types of paper when handling.
- Hold the paper as closely as possible to its edges and try not to touch the printing surface. The print quality may be degraded if the printing surface is smudged with sweat or oil that comes from your hands.
- Do not touch the printed surface until the ink is dried. Even when the ink is dried, be careful not to touch the printed surface as much as possible when handling. Due to the nature of the pigment ink, the ink on the printed surface may be removed when being rubbed or scratched.
- Take out only the necessary number of paper from the package, just before printing.
- To avoid curling, when you do not print, put unused paper back into the package and keep it on a level surface. And also, store it avoiding heat, humidity, and direct sunlight.

Before Printing on Art Paper

When using art paper, dust is liable to be generated. It is therefore recommended that paper dust be removed on art paper just before printing.

You will need a soft hair brush (or similar brush used to clean office automation equipment).

The wider the brush, the more effective it will be.



OK - soft brush made from material such as polypropylene, polyethylene, horse hair or goat hair.

»» Important

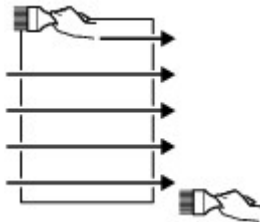
- Be sure not to use brushes as shown below. The printing surface may be damaged.



Not OK - brush made from hard material, cloth or washcloth, sticky and abrasive materials.

Paper dust removal procedure:

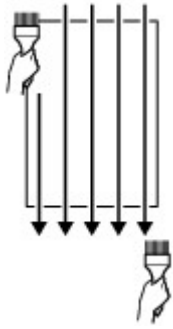
1. Check that the brush is not wet and free from dust or dirt.
2. Brush the overall printing surface carefully in one direction.



»» Important

- Be sure to brush all the way across the paper; do not start brushing at the middle or stop halfway.
- Be careful not to touch the printing surface as much as possible.

3. To complete the removal of paper dust, brush the paper in the other direction from top to bottom.



Changing Settings from Operation Panel/Web Browser

- ▶ **Operation Panel**
- ▶ **LCD and Operation Panel**
- ▶ **Changing Settings from Operation Panel**
 - Changing Settings from Operation Panel
 - Setting Items on Operation Panel
 - Print settings
 - LAN settings
 - PictBridge print settings
 - AirPrint print settings
 - Smartphone photo print settings
 - Other printer settings
 - Language selection
 - Firmware update
 - Paper-related settings
 - Energy saving settings
 - Quiet setting
 - Auto maintenance settings
 - Administrator password settings
 - Setting Administrator Password on Operation Panel
 - Reset settings
 - Web service setup
 - Printer information
- ▶ **Changing Printer Settings from Your Computer (Windows)**
 - Changing the Print Options
 - Registering a Frequently Used Printing Profile
 - Updating Media Information in Printer Driver
 - Managing the Printer Power

- Changing the Printer Operation Mode
- Reducing the Printer Noise

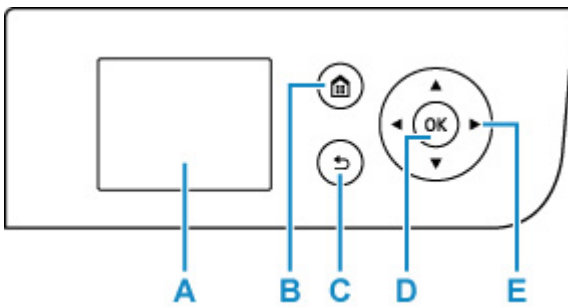
▶ **Changing Printer Settings from Your Computer (macOS)**

- Registering a Changed Printing Profile
- Managing the Printer Power
- Changing the Printer Operation Mode
- Updating Media Information in Printer Driver
 - Correcting Media Information in Printer Driver (When Printer Used in Shared Environment)
- Reducing the Printer Noise

▶ **Changing Printer's Setting Using Web Browser**

- Configuration Changes Using Web Browser
- Changeable Setting Items Using Web Browser
- Setting Password
- Registering Printer's Root Certificate to Web Browser for SSL Communication (Remote UI)
- Registering Printer's Root Certificate to Local Computer for SSL Communication
- Generating Server Certificate (Self-signed Certificate)

Operation Panel



A: LCD (Liquid Crystal Display)

Displays messages, menu items, and the operational status.

B: HOME button

Used to display the HOME screen.

➡ [LCD and Operation Panel](#)

C: Back button

Returns the LCD to the previous screen.

D: OK button

Finalizes the selection of a menu or setting item. This button is also used to resolve an error.

E: ▲, ▼, ◀, and ▶ buttons

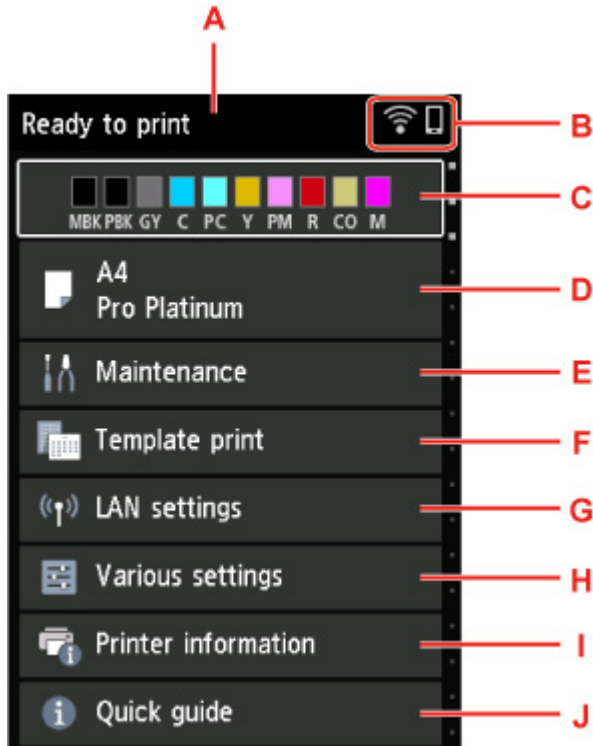
Used to select a menu or setting item.

➡ [LCD and Operation Panel](#)

LCD and Operation Panel

Turning on the printer displays the HOME screen.

Using the ▲ ▼ button to select an item from the menu and pressing the **OK** button enable you to perform each setting.



A: Printer status display area

Displays printer status, messages, and other information.

➔ [Notification Messages](#)

B: Network

Displays network status by the icon.

The icon differs depending on the network of use or the network status.



Wi-Fi is enabled and the printer is connected to the wireless router.

▶▶ Note

- Depending on the signal state, the icon will change.



(Signal strength: 81 % or more): You can use the printer over Wi-Fi without any problems.



(Signal strength: 51 % or more): The problem such as the printer cannot print may occur according to the network status. We recommend placing the printer near the wireless router.



(Signal strength: 50 % or less): The problem such as the printer cannot print may occur. Place the printer near the wireless router.



Wi-Fi is enabled but the printer is not connected to the wireless router.



Wired LAN is enabled.



Wireless Direct is enabled.



Network is disabled.

C: Ink status display area

Displays the ink status. Selecting this item enables you to check the remaining amount of ink and model number of ink tank.

➔ [Checking Ink Status on the LCD](#)

D: Paper settings display area

Displays information about the paper in the top feed. Selecting this item enables you to specify the size and type of paper loaded in the top feed.

E: Maintenance

Select this item to perform maintenance of the printer.

F: Template print

You can print and make as lined or graph paper.

G: LAN settings

You can perform settings relating to network.

H: Various settings

You can change printer settings such as settings when printing.

I: Printer information

Displays printer information and error histories.

J: Quick guide

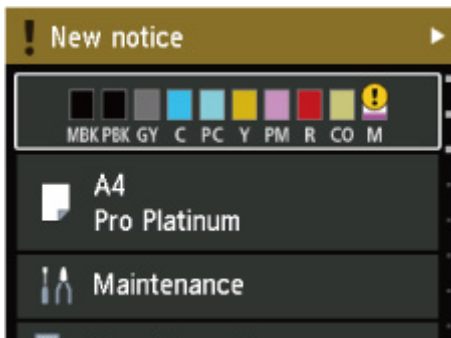
Displays how to operate the printer and QR code accessing to the Online Manual.

▶▶▶ Note

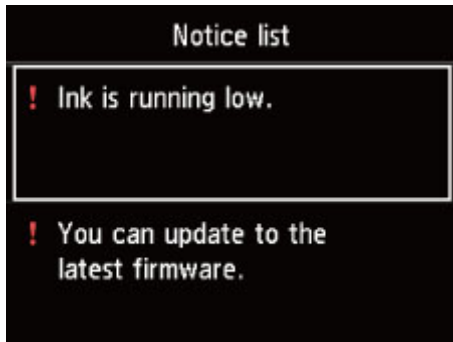
- When printing is in progress, you cannot select grayed out items.

Notification Messages

When the ink is low or there is another notification, **New notice** appears in the printer status display area.



Press the ► button to display the **Notice list** screen to check messages.



Use the ▲ ▼ button to select a message and press the **OK** button to view the message details screen to check the details and take action.



Changing Settings from Operation Panel


- ▶ **Changing Settings from Operation Panel**
- ▶ **Setting Items on Operation Panel**

Changing Settings from Operation Panel

This section describes the procedure to change the settings in the **Printer settings** screen, taking the steps to specify **Magnification level for borderless** as an example.

1. Check that printer is turned on.

➔ [Power Supply](#)

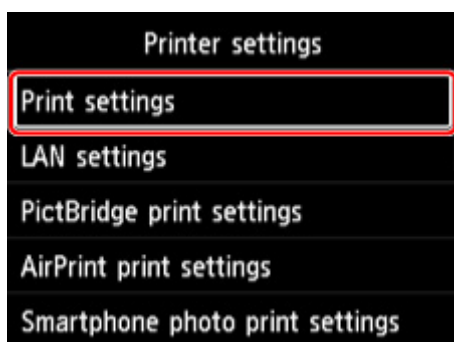
2. Select  **Various settings** on HOME screen and press the **OK** button.

➔ [LCD and Operation Panel](#)

3. Use the ▲▼ buttons to select **Printer settings** and press the **OK** button.

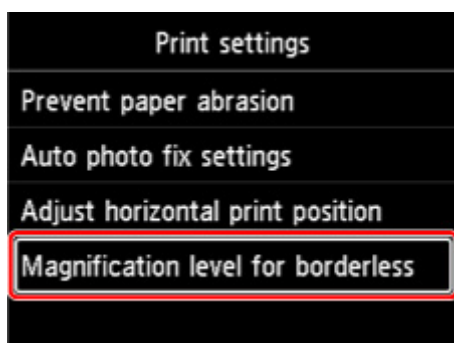
The **Printer settings** screen is displayed.

4. Use the ▲▼ buttons to select a setting item and press the **OK** button.



The setting screen for the selected item is displayed.

5. Use the ▲▼ buttons to select item and press the **OK** button.



6. Use the ▲▼ buttons to select setting item and press the **OK** button.



For more on setting items on the operation panel:

➔ [Setting Items on Operation Panel](#)

Setting Items on Operation Panel

▶▶▶ Note

- The administrator password is required to change some setting items if it is enabled for changing settings using the operation panel.

For more on setting items which the administrator password is required:

- ➔ [Setting Administrator Password on Operation Panel](#)

Items for Security

- ➔ [Administrator password settings](#)

Items for Printer

- ➔ [Other printer settings](#)
- ➔ [Language selection](#)
- ➔ [Web service setup](#)
- ➔ [Energy saving settings](#)
- ➔ [Quiet setting](#)

Items for Paper/Printing

- ➔ [Print settings](#)
- ➔ [PictBridge print settings](#)
- ➔ [AirPrint print settings](#)
- ➔ [Smartphone photo print settings](#)
- ➔ [Paper-related settings](#)

Items for Maintenance/Management

- ➔ [LAN settings](#)
- ➔ [Auto maintenance settings](#)
- ➔ [Firmware update](#)
- ➔ [Reset settings](#)
- ➔ [Printer information](#)

Print settings

- **Prevent paper abrasion**

Use this setting only if the print surface becomes smudged.

▶▶▶ Important

- Be sure to set this back to **OFF** after printing since it may result in lower print quality.

- **Auto photo fix settings**

When **Yes** is selected, you can print photos using the Exif information recorded in the image files when **Default*** or **On** is selected in printing with a PictBridge (Wi-Fi) compliant device.

* When **Default** is selected for the print setting on the PictBridge (Wi-Fi) compliant device, select **Auto photo fix** for **Photo fix** in **PictBridge print settings**.

- **Adjust horizontal print position**

Adjusts the print position when the left/right margins are not aligned.

You can adjust the left/right margins in increments of 0.01 inch/0.1 mm between -0.12 inch/-3 mm and +0.12 inch/+3 mm centered on the horizontal center of the paper.

▶▶▶ Important

- For A3, A3+ and 12" x 12" (30 x 30 cm), you can adjust the left/right margins between -0.06 in. (-1.5 mm) and +0.06 in. (+1.5 mm) even if you specify the value over 0.06 in. (1.5 mm).

- **Magnification level for borderless**

Selects the amount of image that extends off the paper when printing in borderless (full).

When performing Borderless Printing, slight cropping may occur at the edges since the printed image is enlarged to fill the whole page. You can change the width to be cropped from the borders of the original image as needed.

▶▶▶ Important

- Settings will become ineffective in the following situations:
 - Printing from a PictBridge (Wi-Fi) supporting device.
 - Printing from a standard form.

▶▶▶ Note

- When performing settings from application software or the printer driver, these settings will be prioritized.
- If printouts contain margins even though you are printing in Borderless, specifying **Large** for this setting may help solve the problem.

LAN settings

Select this setting item from HOME screen.

▶▶▶ Important

- The administrator password is required to change settings if it is enabled for changing settings using the operation panel.

• Wi-Fi

The following setting information on the Wi-Fi connection is displayed. (Some items are not displayed depending on printer settings.)

Items	Setting
Connection	Enabled (connected) / Enabled (disconnected) / Disable
Network name (SSID)	XXXXXXXXXXXXXXXXXXXX XXXXXXXXXXXXXXXXXXXX (up to 32 characters)
Communication mode	Infrastructure
Frequency	2.4GHz / 5GHz
Channel	XX (up to 2 digits)
Wi-Fi security	Disable / WEP (64 bit) / WEP (128 bit) / WPA-PSK (TKIP) / WPA-PSK (AES) / WPA2-PSK (TKIP) / WPA2-PSK (AES)
Signal strength (%)	XXX
IPv4 address	XXX. XXX. XXX. XXX (12 characters)
IPv4 subnet mask	XXX. XXX. XXX. XXX (12 characters)
IPv4 default gateway	XXX. XXX. XXX. XXX (12 characters)
IPv6 link-local address	XXXX: XXXX: XXXX: XXXX: XXXX: XXXX: XXXX: XXXX (32 characters)
IPv6 link-local prefix length	XXX (up to 3 digits)
IPv6 manual address	XXXX: XXXX: XXXX: XXXX: XXXX: XXXX: XXXX: XXXX (32 characters)
IPv6 manual prefix length	XXX (up to 3 digits)
IPv6 stateless address 1	XXXX: XXXX: XXXX: XXXX: XXXX: XXXX: XXXX: XXXX (32 characters)
IPv6 stateless prefix length 1	XXX (up to 3 digits)
IPv6 stateless address 2	XXXX: XXXX: XXXX: XXXX: XXXX: XXXX: XXXX: XXXX (32 characters)
IPv6 stateless prefix length 2	XXX (up to 3 digits)
IPv6 stateless address 3	XXXX: XXXX: XXXX: XXXX: XXXX: XXXX: XXXX: XXXX (32 characters)
IPv6 stateless prefix length 3	XXX (up to 3 digits)

IPv6 stateless address 4	XXXX: XXXX: XXXX: XXXX: XXXX: XXXX: XXXX: XXXX (32 characters)
IPv6 stateless prefix length 4	XXX (up to 3 digits)
IPv6 default gateway 1	XXXX: XXXX: XXXX: XXXX: XXXX: XXXX: XXXX: XXXX (32 characters)
IPv6 default gateway 2	XXXX: XXXX: XXXX: XXXX: XXXX: XXXX: XXXX: XXXX (32 characters)
IPv6 default gateway 3	XXXX: XXXX: XXXX: XXXX: XXXX: XXXX: XXXX: XXXX (32 characters)
IPv6 default gateway 4	XXXX: XXXX: XXXX: XXXX: XXXX: XXXX: XXXX: XXXX (32 characters)
MAC address (Wi-Fi)	XX:XX:XX:XX:XX:XX (12 characters)
IPsec settings	Enable (ESP) / Enable (ESP & AH) / Enable (AH) / Disable
Printer name	XXXXXXXXXXXXXXXXXX (up to 15 characters)
Bonjour service name	XXXXXXXXXXXXXXXXXX XXXXXXXXXXXXXXXXXX XXXXXXXXXXXXXXXXXX XXXXXXXXXXXXXXXXXX (up to 52 characters)

("XX" represents alphanumeric characters.)

To change the setting, select **Settings**.

- **Enable/disable Wi-Fi**

Select **Enable** to wirelessly connect via wireless router.

- **Wi-Fi setup**

Select how to setup Wi-Fi.

- Easy wireless connect**

Select if you specify the settings of the access point information to the printer directly from a device (e.g. smartphone, or tablet) without operating the wireless router. Follow the on-screen instructions of the connecting device for the setup procedure.

- Manual connect**

Select when you perform settings for Wi-Fi manually using the operation panel of the printer.

- WPS (Push button method)**

Select when you perform settings for Wi-Fi using a wireless router supporting a Wi-Fi Protected Setup (WPS) push button method. Follow the on-screen instructions during setup.

- Other connection types**

- Manual connect (adv.)**

Select when you perform settings for Wi-Fi manually. You can specify multiple WEP keys.

- WPS (PIN code method)**

Select when you perform settings for Wi-Fi using a wireless router supporting a Wi-Fi Protected Setup (WPS) PIN code method. Follow the on-screen instructions during setup.

- **Advanced**

For details on each setting item:

➔ [Advanced](#)

- **Wireless Direct**

The following setting information on the Wireless Direct connection is displayed. (Some items are not displayed depending on printer settings.)

Items	Setting
Connection	Enable / Disable
Network (SSID)/device name	DIRECT-XXXX-PRO-300series
Password	XXXXXXXXXX (10 characters)
Communication mode	Wireless Direct
Channel	3
Wi-Fi security	WPA2-PSK (AES)
No. of printers connected now	XX / XX
IPv4 address	XXX. XXX. XXX. XXX (12 characters)
IPv4 subnet mask	XXX. XXX. XXX. XXX (12 characters)
IPv4 default gateway	XXX. XXX. XXX. XXX (12 characters)
IPv6 link-local address	XXXX: XXXX: XXXX: XXXX: XXXX: XXXX: XXXX: XXXX (32 characters)
IPv6 link-local prefix length	XXX (up to 3 digits)
MAC address (Wi-Fi)	XX:XX:XX:XX:XX:XX (12 characters)
IPsec settings	Enable (ESP) / Enable (ESP & AH) / Enable (AH) / Disable
Printer name	XXXXXXXXXXXXXXXXXX (up to 15 characters)
Bonjour service name	XXXXXXXXXXXXXXXXXX XXXXXXXXXXXXXXXXXX XXXXXXXXXXXXXXXXXX XXXXXXXXXXXXXXXXXX (up to 52 characters)

("XX" represents alphanumeric characters.)

To change the setting, select **Settings**.

- **Enable/disable Wireless Direct**

Select **Yes** to wirelessly connect without wireless router.

- **Change SSID/device name**

Changes the identifier (SSID/the printer's name displayed on a Wi-Fi Direct compatible device) for Wireless Direct.

- **Change password**

Changes the password for Wireless Direct.

- **Connection request confirmation**

Changes the display/non-display of the confirmation screen when Wi-Fi Direct compatible devices are connected to the printer.

- **Advanced**

For details on each setting item:

➡ [Advanced](#)

- **Wired LAN**

The following setting information on the Wired LAN connection is displayed. (Some items are not displayed depending on printer settings.)

Items	Setting
Connection	Enabled (connected) / Enabled (disconnected) / Disable
IPv4 address	XXX. XXX. XXX. XXX (12 characters)
IPv4 subnet mask	XXX. XXX. XXX. XXX (12 characters)
IPv4 default gateway	XXX. XXX. XXX. XXX (12 characters)
IPv6 link-local address	XXXX: XXXX: XXXX: XXXX: XXXX: XXXX: XXXX: XXXX (32 characters)
IPv6 link-local prefix length	XXX (up to 3 digits)
IPv6 manual address	XXXX: XXXX: XXXX: XXXX: XXXX: XXXX: XXXX: XXXX (32 characters)
IPv6 manual prefix length	XXX (up to 3 digits)
IPv6 stateless address 1	XXXX: XXXX: XXXX: XXXX: XXXX: XXXX: XXXX: XXXX (32 characters)
IPv6 stateless prefix length 1	XXX (up to 3 digits)
IPv6 stateless address 2	XXXX: XXXX: XXXX: XXXX: XXXX: XXXX: XXXX: XXXX (32 characters)
IPv6 stateless prefix length 2	XXX (up to 3 digits)
IPv6 stateless address 3	XXXX: XXXX: XXXX: XXXX: XXXX: XXXX: XXXX: XXXX (32 characters)
IPv6 stateless prefix length 3	XXX (up to 3 digits)
IPv6 stateless address 4	XXXX: XXXX: XXXX: XXXX: XXXX: XXXX: XXXX: XXXX (32 characters)
IPv6 stateless prefix length 4	XXX (up to 3 digits)
IPv6 default gateway 1	XXXX: XXXX: XXXX: XXXX: XXXX: XXXX: XXXX: XXXX (32 characters)

IPv6 default gateway 2	XXXX: XXXX: XXXX: XXXX: XXXX: XXXX: XXXX: XXXX (32 characters)
IPv6 default gateway 3	XXXX: XXXX: XXXX: XXXX: XXXX: XXXX: XXXX: XXXX (32 characters)
IPv6 default gateway 4	XXXX: XXXX: XXXX: XXXX: XXXX: XXXX: XXXX: XXXX (32 characters)
MAC address (Wired LAN)	XX:XX:XX:XX:XX:XX (12 characters)
IPsec settings	Enable (ESP) / Enable (ESP & AH) / Enable (AH) / Disable
Printer name	XXXXXXXXXXXXXXXXXX (up to 15 characters)
Bonjour service name	XXXXXXXXXXXXXXXXXX XXXXXXXXXXXXXXXXXX XXXXXXXXXXXXXXXXXX XXXXXXXXXXXXXXXXXX (up to 52 characters)

("XX" represents alphanumeric characters.)

To change the setting, select **Settings**.

- **Enable/disable Wired LAN**

Select **Enable** when connecting to wired LAN.

- **Advanced**

For details on each setting item:

⇒ [Advanced](#)

- **Print details**

Prints out the LAN setting information of the printer with Wi-Fi connection, wired LAN connection, wireless direct connection.

For the items that can be checked, see the following.

⇒ [Printing Network Settings](#)

▶▶▶ Important

- Important information on your computer is stated on the paper on which the LAN setting information is printed. Please handle with care enough.

▶▶▶ Note

- You can also print out the LAN setting information by selecting in the following order from the HOME screen.

LAN settings > Print details

- **Advanced**

By selecting **Advanced** on each setting screen of Wi-Fi connection, wired LAN connection, wireless direct connection, LAN information can be set in detail.

»» Important

- If the LAN is disabled, the following items can not be selected.

- **Set printer name**

Specifies the printer name. You can use 2 to 15 characters for the name.

»» Note

- You cannot use the same printer name as that already used for other LAN connected devices.
- You cannot use a hyphen for the initial or last character of the printer name.

- **TCP/IP settings**

Performs IPv4 or IPv6 setting.

- **WSD settings**

Setting items when you use WSD (one of the network protocols supported in Windows 10, Windows 8.1, and Windows 7).

- Enable/disable WSD**

Selects whether WSD is enabled or disabled.

»» Note

- When this setting is enabled, the printer icon is displayed on the Network Explorer in Windows 10, Windows 8.1, and Windows 7.

- Optimize inbound WSD**

Selecting **Enable** allows you to receive the WSD printing data faster.

- Timeout settings**

Specifies the timeout length.

- **Bonjour settings**

Setting items when you use Bonjour.

- Enable/disable Bonjour**

Selecting **Enable** allows you to use Bonjour to perform the network settings.

- Service name**

Specifies the Bonjour service name. You can use up to 48 characters for the name.

»» Note

- You cannot use the same service name as that already used for other LAN connected devices.

- **IEEE802.1X settings**

Sets the IEEE802.1X authentication method, etc.

- **LPR protocol settings**

Enables/Disables the LPR setting.

- **RAW protocol**

Enables/Disables RAW printing.

- **LLMNR**

Specifies ON/OFF of LLMNR (Link-Local Multicast Name Resolution). Selecting **ON** allows the printer to detect printer's IP address from the printer name without a DNS server.

- **IPP settings**

Selecting **Enable** allows you to print via the network with the IPP protocol.

- **PictBridge communication**

Setting items for printing from a PictBridge (Wi-Fi) compliant device.

- Enable/disable communication**

Selecting **Enable** allows you to print from a PictBridge (Wi-Fi) compliant device.

- Timeout setting**

Specifies the timeout length.

- **Wi-Fi DRX settings**

Selecting **Enable** allows you to activate discontinuous reception when using Wi-Fi.

- **Wired LAN DRX settings**

Selecting **Enable** allows you to activate discontinuous reception when the printer is connected to a device compatible with wired LAN.

- **IPsec settings**

Selecting **Enable** allows you to specify the IPsec security.

PictBridge print settings

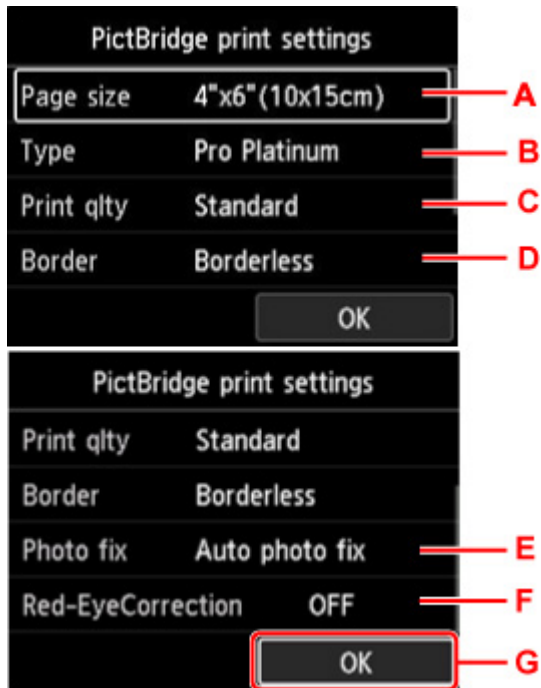
Select this setting item from **Printer settings** on **Various settings**.

You can change the print settings when printing from a PictBridge (Wi-Fi) compliant device.

Set the print settings to **Default** on the PictBridge (Wi-Fi) compliant device when you want to print according to the settings on the printer.

To change print settings from the PictBridge (Wi-Fi) compliant device:

➔ [Settings on PictBridge \(Wi-Fi\) Compliant Device](#)



A. Page size

Select the paper size when printing directly from a PictBridge (Wi-Fi) compliant device.

When you perform PictBridge (Wi-Fi) settings from the printer, set **Paper size** to **Default** on the PictBridge (Wi-Fi) compliant device.

B. Type (Media type)

Select the media type when printing directly from a PictBridge (Wi-Fi) compliant device.

When you perform PictBridge (Wi-Fi) settings from the printer, set **Paper type** to **Default** on the PictBridge (Wi-Fi) compliant device.

C. Print qlty (Print quality)

Select the print quality when printing directly from a PictBridge (Wi-Fi) compliant device.

D. Border (Bordered/Borderless print)

Select the bordered/borderless layout.

When you perform PictBridge (Wi-Fi) settings from the printer, set **Layout** to **Default** on the PictBridge (Wi-Fi) compliant device.

E. Photo fix

When **Auto photo fix** is selected, the scene or person's face of a shot photo is recognized and the most suitable correction for each photo is made automatically. It makes a darkened face by backlight brighter to print. It also analyzes a scene such as scenery, night scene, person, etc. and corrects each scene with the most suitable color, brightness, or contrasts automatically to print.

▶▶ Note

- As a default, photos on a PictBridge (Wi-Fi) compliant device are printed with auto correction applied.
- If **No correction** is selected, photos are printed without correction.

F. **Red-EyeCorrection**

Select **ON** to correct red eyes in portraits caused by flash photography.

Depending on the type of the photo, red eyes may not be corrected or parts other than the eyes may be corrected.

G. Press **OK** button to specify the print settings.

AirPrint print settings

Select this setting item from **Printer settings** on **Various settings**.

You can change the print settings when printing using AirPrint from the macOS device or the iOS device.

- **Print quality settings**

- **Color mode**

Select the color correction method suited to the type of document to be printed.

▶▶▶ Important

- Even if you select ICC profile, printing is performed without ICC profile if ICC profile is not included in the paper information added with Media Configuration Tool. Even if ICC profile is included in the paper information, printing will fail and the paper will be ejected as the blank paper if the Profile is not supported with the printer.

- **Clear coating**

Specifies the clear coating area.

If you select **Auto**, the printer automatically sets the areas to be clear-coated and whether clear coating is to be executed.

It may be possible to reduce the ink consumption of the chroma optimizer (CO) or to accelerate the print speed.

If you select **Overall**, the printer clear-coats the entire print area.

If selecting **Auto** produced unsatisfactory clear coating effects, selecting **Overall** may improve the results.

▶▶▶ Important

- The selection of **Overall** may be disabled depending on the media type and the print quality.

Smartphone photo print settings

You can set the correction for image quality when printing photos from the smartphone or tablet.

- **Auto photo fix**

Selecting **ON** will automatically correct to the optimum image quality.

▶▶ Note

- Depending on the print function of the smartphone or tablet used, image correction may not be possible.

Other printer settings

Select this setting item from **Printer settings** on **Various settings**.

▶▶▶ Important

- The administrator password is required to change this setting if the administrator password is enabled.

- **Date/time settings**

Sets the current date and time.

▶▶▶ Important

- If a power failure occurs or you unplug the power cord, the date/time settings will be reset.

- **Date display format**

Changes the display format of dates when printed.

- **Key repeat**

Enables/Disables continuous input by pressing and holding down the ▲▼◀▶ buttons when selecting a menu or setting item.

- **Use of Remote UI**

Enables/Disables Remote UI.

- **Keyboard layout**

You can select a layout to display on the LCD from the keyboard layouts below.

- **QWERTY**
- **QWERTZ**
- **AZERTY**

Language selection

Select this setting item from **Printer settings** on **Various settings**.

»» Important

- The administrator password is required to change this setting if the administrator password is enabled.

Changes the language for messages and menus on the LCD.

Firmware update

Select this setting item from **Printer settings** on **Various settings**.

▶▶▶ Important

- The administrator password is required to change this setting if the administrator password is enabled.

You can update the firmware of the printer, check the firmware version, or perform settings of a notification screen, a DNS server and a proxy server.

▶▶▶ Note

- If LAN is disabled, you can not use **Install update**, **DNS server setup**, **Proxy server setup**.

• **Install update**

Performs the firmware update of the printer. If you select **Yes**, the firmware update starts. Follow the on-screen instructions to perform update.

▶▶▶ Important

- When you use this function, make sure the printer is connected to the Internet.

▶▶▶ Note

- If the firmware update is not complete, check the following and take an appropriate action.
 - Check the network settings such as a wireless router.
 - If **Cannot connect to the server.** is displayed on the LCD, press the **OK** button and try again after a while.

• **Check current version**

You can check the current firmware version.

• **Update notification settings**

When **Yes** is selected and the firmware update is available, the screen to inform you of the firmware update is displayed on the LCD.

• **DNS server setup**

Performs settings for a DNS server. Select **Auto setup** or **Manual setup**. If you select **Manual setup**, follow the display on the LCD to perform settings.

• **Proxy server setup**

Performs settings for a proxy server. Follow the display on the LCD to perform settings.

Paper-related settings

Select this setting item from **Printer settings** on **Various settings**.

- **Top feed paper settings**

Set the paper size and the media type of paper loaded in the top feed.

- **Manual feed tray paper settings**

Set the paper size and the media type of paper loaded in the manual feed tray.

- **Check paper replacement**

If you select **Yes**, the printer detects that the paper is loaded or removed.

When the paper registration screen is displayed after loading paper, register the paper size and the media type.

- **Det. paper setting mismatch**

If you select **Yes**, the printer detects whether the paper size and the media type are the same as those registered. If printing starts with the settings that do not match, an error message appears on the LCD.

➔ [Register Paper Information](#)

- **Advanced paper settings**

Perform the following settings for each media type.

- **Paper thickness (head height)**
- **Extension for borderless printing**
- **Unidirectional printing**
- **Pause between scans**
- **Pause between pages**
- **Detect paper width**

If you are concerned about the printout results such as uneven colors, select **ON** on **Unidirectional printing**.

Selecting **Reset paper settings for all paper, Yes** and pressing the **OK** button initializes the settings. Entering the administrator password is required if it is enabled.

- **Print advanced paper settings**

Selecting **Yes** and pressing the **OK** button prints out each setting specified in **Advanced paper settings**.

- **Reset paper settings for all paper**

Selecting **Yes** and pressing the **OK** button initializes each setting specified in **Advanced paper settings**.

Entering the administrator password is required if it is enabled.

Energy saving settings

Select this setting item from **Printer settings** on **Various settings**.

Enabling this setting allows you to turn on/off the printer automatically to save electricity.

▶▶ Important

- The administrator password is required to change this setting if the administrator password is enabled.

- **Auto power off**

Specifies the length of time to turn off the printer automatically when no operation is made or no printing data is sent to the printer.

- **Auto power on**

Selecting **ON** enables the printer to turn on automatically when printing data is sent to the printer.

Quiet setting

Select this setting item from **Printer settings** on **Various settings**.

Enable this function on the printer if you want to reduce the operating noise, such as when printing at night.

▶▶▶ Important

- The administrator password is required to change this setting if the administrator password is enabled.

- **OFF**

Select when you do not use the quiet mode.

- **ON**

Select to reduce the operating noise when printing.

▶▶▶ Important

- Operating speed is reduced compared to when **OFF** is selected.
- This function may not be so effective depending on the printer's setting. Furthermore, certain noise, such as when the printer is preparing for printing, is not reduced.

▶▶▶ Note

- You can set **Quiet setting** from the operation panel of the printer or the printer driver. No matter how you set the quiet mode, the mode is applied when you perform operations from the operation panel of the printer or printing from the computer.

Auto maintenance settings

Select this setting item from **Printer settings** on **Various settings**.

»» Important

- The administrator password is required to change this setting if the administrator password is enabled.

- **Auto nozzle check**

Enables/Disables automatic nozzle checking.

Administrator password settings

Select this setting item from **Printer settings** on **Various settings**.

»» Important

- The administrator password is required to change this setting if the administrator password is enabled.

You can specify or disable the administrator password.

If you specify the administrator password, select the range and specify the administrator password.

- **Remote UI and other tools**

Entering the administrator password is required to change the setting items using the Remote UI or IJ Network Device Setup Utility.

- **LCD, Remote UI, and other tools**

Entering the administrator password is required to change the setting items using the operation panel of the printer, the Remote UI, or IJ Network Device Setup Utility.

➔ [Setting Administrator Password on Operation Panel](#)

Setting Administrator Password on Operation Panel

You can specify or disable the administrator password.

Specifying the administrator password requires you to enter the password to use the items or change the settings below.

- **Web service setup**
- **LAN settings**
- **Other printer settings**
- **Language selection**
- **Firmware update**
- **Energy saving settings**
- **Quiet setting**
- **Auto maintenance settings**
- **Administrator password settings**
- **Reset settings** (except for **Reset all**)

Follow the procedure below to specify the administrator password.

1. Check that printer is turned on.

➔ [Power Supply](#)

2. Select  **Various settings** on HOME screen and press the **OK** button.

➔ [LCD and Operation Panel](#)

3. Use the ▲▼ buttons to select **Printer settings** and press the **OK** button.

4. Use the ▲▼ buttons to select **Administrator password settings** and press the **OK** button.

5. When confirmation screen to specify administrator password is displayed, select **Yes** and press the **OK** button.

If an administrator password is not specified, the register confirmation message appears. Select **Yes** and press the **OK** button. When the message appears again, press the **OK** button.

▶▶▶ Important

- The administrator password is set at the time of purchase. The printer's serial number is used as the password.

For the administrator password, refer to Administrator Password.

6. When the **Manage passwords** screen is displayed, use the ▲▼ buttons to select **Change administrator password** and press the **OK** button.

If you do not specify an administrator password, select **Remove administrator password** and **OK** button. Select **Yes** and press the **OK** button. When the message appears again, press the **OK** button.

7. Use the ▲▼ buttons to select range where administrator password is valid and press the **OK** button.

Remote UI and other tools

Entering the administrator password is required to change the setting items using the Remote UI or IJ Network Device Setup Utility.

LCD, Remote UI, and other tools

Entering the administrator password is required to change the setting items using the operation panel of the printer, the Remote UI, or IJ Network Device Setup Utility.

8. Enter administrator password.

Pressing the **OK** button displays the input screen.

Use the ▲▼◀▶ buttons to select **OK** and press the **OK** button when you finished entering the administrator password.

▶▶▶ Important

- The following character restrictions apply to the password:
 - Set the password by using 4 to 32 characters.
 - The allowed characters are single-byte alphanumeric characters, blank space, umlaut characters, and the below symbols.
- ! @ # \$ % ^ & * _ ; : , . / ` = + ' " () [] { } < > |
 - For security reasons, we recommend you use 8 and more alphanumeric characters.

9. Use the ▲▼ buttons to select **Apply** and press **OK** button.

10. Enter administrator password you specified again.

Pressing the **OK** button displays the input screen.

After you finished entering the administrator password on the password input screen, use the ▲▼◀▶ buttons to select **Apply** and press the **OK** button.

The administrator password is enabled.

When You Want to Disable the Administrator Password:

After operating in the following order on the printer's operation panel, follow the on-screen instructions to remove the administrator password.

Various settings > Printer settings > Administrator password settings > Enter the administrator password > Remove administrator password

Reset settings

Select this setting item from **Printer settings** on **Various settings**.

▶▶▶ Important

- The administrator password is required to change this setting if the administrator password is enabled.

You can set the settings back to the default.

- **Web service setup only**

Sets the Web service settings back to the default.

- **LAN settings only**

Sets the LAN settings other than the administrator password back to the default.

- **Settings only**

Sets the settings such as the paper size or media type back to the default.

- **Reset all**

Sets all settings you made to the printer back to the default. The administrator password specified for the printer is set to the default setting.

▶▶▶ Note

- You cannot set the following setting items back to the default:
 - The language displayed on the LCD
 - The current position of the print head
 - CSR (Certificate Signing Request) for encryption method (SSL/TLS) setting
 - Media information registered to the printer by using Media Configuration Tool

Web service setup

Select this setting item from **Web service setup** on **Various settings**.

▶▶▶ Important

- This setting item is for the administrator. The administrator password is required to change settings.

- **Web service usage registration/Web service usage cancellation**

Registers/Deletes Web service usage to use the printer device information to/from PIXMA/MAXIFY Cloud Link.

- **Web service connection setup**

The following setting items are available.

- **Google Cloud Print setup**

Registers/Deletes the printer to/from Google Cloud Print.

- **IJ Cloud Printing Center setup**

Registers/Deletes the printer to/from Canon Inkjet Cloud Printing Center.

- **Check Web service setup**

Make sure whether the printer is registered to Google Cloud Print or Canon Inkjet Cloud Printing Center.

- **Issue registration code**

In order to link the web service and printer, obtain the registration code from the service origin.

- **DNS server setup**

Performs settings for a DNS server. Select **Auto setup** or **Manual setup**. If you select **Manual setup**, follow the display on the LCD to perform settings.

- **Proxy server setup**

Performs settings for a proxy server. Follow the display on the LCD to perform settings.

Printer information

Select this setting item from HOME screen.

- **System information**

Displays printer's system information.

- **Error history**

Displays the error history.

Up to 5 error codes appears.

For more on the error code, refer to [List of Support Code for Error](#).

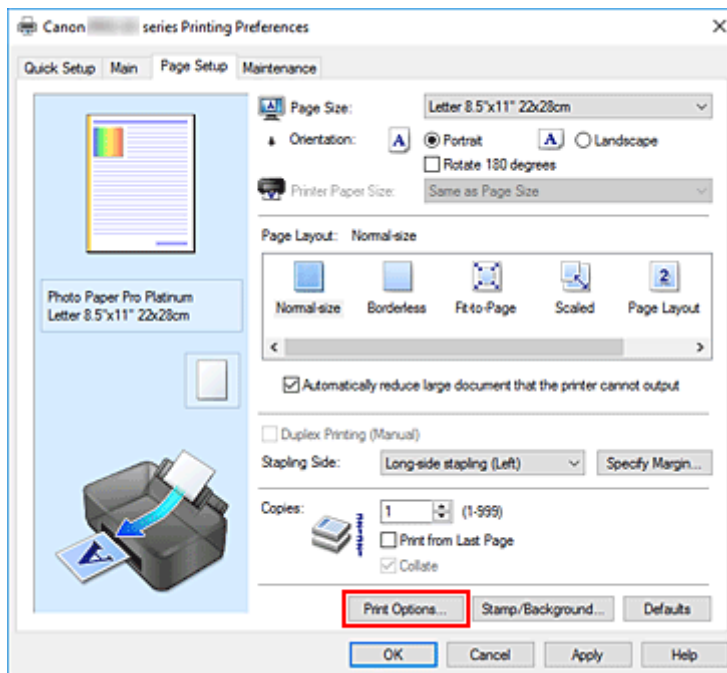
Changing Printer Settings from Your Computer (Windows)

- **Changing the Print Options**
- **Registering a Frequently Used Printing Profile**
- **Updating Media Information in Printer Driver**
- **Managing the Printer Power**
- **Changing the Printer Operation Mode**
- **Reducing the Printer Noise**

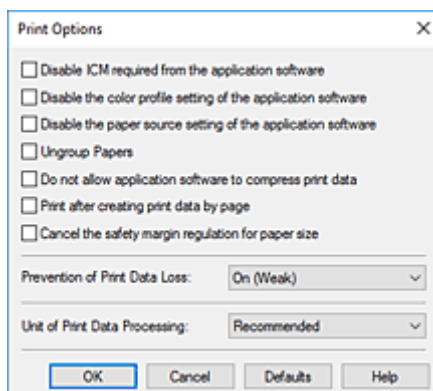
Changing the Print Options

You can change the detailed printer driver settings for print data that is sent from an application software. Check this check box if part of the image data is cut off, the paper source during printing differs from the driver settings, or printing fails.

1. Open the [printer driver setup window](#)
2. Click **Print Options...** on the **Page Setup** tab



The **Print Options** dialog box opens.



3. Change the individual settings

If necessary, change the setting of each item, and then click **OK**.

The **Page Setup** tab is displayed again.

Registering a Frequently Used Printing Profile

You can register the frequently used printing profile to **Commonly Used Settings** on the **Quick Setup** tab. Unnecessary printing profiles can be deleted at any time.

Registering a Printing Profile

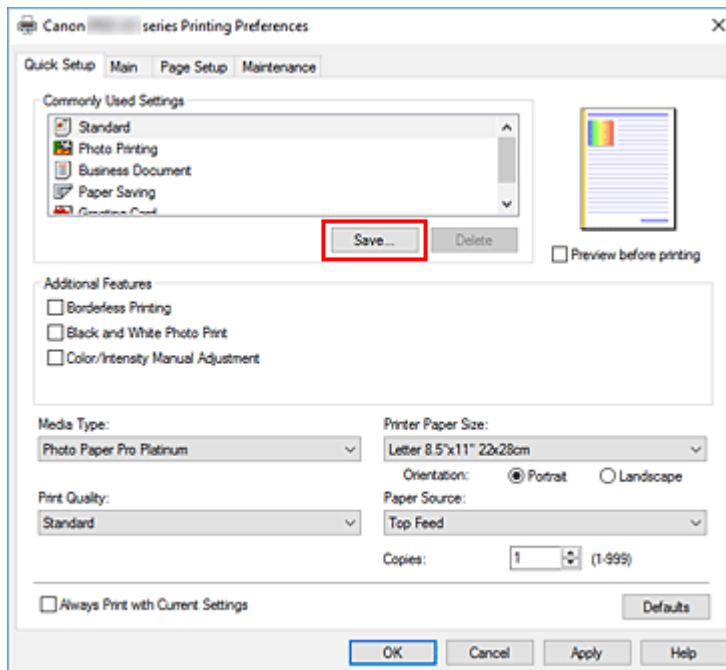
1. Open the [printer driver setup window](#)

2. Set the necessary items

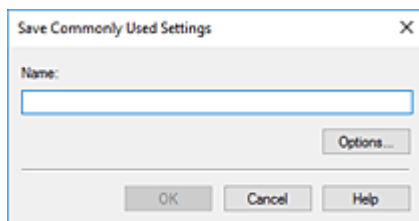
From **Commonly Used Settings** on the **Quick Setup** tab, select the printing profile to be used and if necessary, change the settings after **Additional Features**.

You can also register necessary items on the **Main** and **Page Setup** tabs.

3. Click **Save...**



The **Save Commonly Used Settings** dialog box opens.



4. Save the settings

Enter a name for the print settings to register in the **Name** field. If necessary, click **Options...**, set the items, and then click **OK**.

In the **Save Commonly Used Settings** dialog box, click **OK** to save the print settings and return to the **Quick Setup** tab.

The name and icon are displayed in **Commonly Used Settings**.

▶▶▶ Important

- To save the page size, orientation, and number of copies that was set in each sheet, click **Options...**, and check each item.

▶▶▶ Note

- When you re-install the printer driver or upgrade the printer driver version, the print settings that are already registered will be deleted from **Commonly Used Settings**. Registered print settings cannot be saved and preserved. If a profile is deleted, register the print settings again.

Deleting Unnecessary Printing Profile

1. Select the printing profile to be deleted

Select the printing profile you want to delete from the **Commonly Used Settings** list on the **Quick Setup** tab.

2. Delete the printing profile

Click **Delete**. When the confirmation message appears, click **OK**.

The selected printing profile is deleted from the **Commonly Used Settings** list.

▶▶▶ Note

- Printing profiles that are registered in the initial settings cannot be deleted.

Updating Media Information in Printer Driver

This function gets the latest media information from the printer and updates the media information in the printer driver.

When the media information is updated, the media displayed for **Media Type** on the **Main** tab is updated to the latest information.

The procedure for updating media information is described below.



Update Media Information

1. Open printer driver setup screen
2. On **Maintenance** tab, click **Update Media Information**

The **Update Media Information** dialog box appears.

When media information on the driver cannot be successfully updated, click **Initial Check Items** and check the content that is displayed.

3. Check that the media information has updated

By following the dialog instructions, check that the printer is on, and then click **Execute**.

After checking whether or not the printer media information needs to be updated, a message will be displayed.

If the printer media information is up to date, click **OK** and finish updating media information.

If the information needs to be updated, follow the below steps to do so:

4. Update media information

When a confirmation message appears, click **OK**.

The printer driver media information will update.

►►► Important

- It may take some time to update the media information.

5. Finish updating media information

When a confirmation message appears, click **OK**.

The media information will be updated.

►►► Important

- Restart the printer driver after updating media information.

»» Important

- Ensure that a user with administrative privileges carries out the media information update. Users other than administrators can check if a media information update is required, but cannot carry out the update itself.
- Do not change media information on the printer while you are updating media information on the driver.
- When you have added, deleted, or edited media using administrative tools (the Media Configuration Tool) but have not updated the media information, issues may arise such as the inability to print.

Managing the Printer Power

This function allows you to manage the printer power from the Canon IJ Printer Assistant Tool.



Power Off

The **Power Off** function turns off the printer. When you use this function, you will not be able to turn the printer on from the Canon IJ Printer Assistant Tool.

1. Open [Canon IJ Printer Assistant Tool](#)

2. Perform power off

Click **Power Off**. When the confirmation message appears, click **OK**.

The printer power switches off.



Auto Power

Auto Power allows you to set **Auto Power On** and **Auto Power Off**.

The **Auto Power On** function automatically turns on the printer when data is received.

The **Auto Power Off** function automatically turns off the printer when there are no operations from the printer driver or the printer for a specified period of time.

1. Open the [Canon IJ Printer Assistant Tool](#)

2. Check that the printer is on, and then click **Auto Power**

The **Auto Power Settings** dialog box will open.

▶▶▶ Note

- If the printer is off or if communication between the printer and the computer is disabled, an error message may appear because the computer cannot collect the printer status. If this happens, click **OK** to display the most recent settings specified on your computer.

3. If necessary, complete the following settings:

Auto Power On

Specifying **Enable** from the list will turn the printer on upon receipt of print data.

Auto Power Off

Specify the time from the list. When this time lapses without any operations from the printer driver or the printer, the printer is turned off automatically.

4. Apply the settings

Click **OK**. When the confirmation message appears, click **OK**.

The setting is enabled after this. When you want to disable this function, select **Disable** from the list according to the same procedure.

▶▶ Note

- When the printer is turned off, the Canon IJ Status Monitor message varies depending on the **Auto Power On** setting.

When the setting is **Enable**, "Printer is standing by" is displayed. When the setting is **Disable**, "Printer is offline" is displayed.

Changing the Printer Operation Mode

If necessary, switch between various modes of printer operation.



Custom Settings

1. Open the [Canon IJ Printer Assistant Tool](#)
2. Check that the printer is on and then click **Custom Settings**

The **Custom Settings** dialog box opens.

▶▶▶ Note

- If the printer is off or if communication between the printer and the computer is disabled, an error message may appear because the computer cannot collect the printer status. If this happens, click **OK** to display the most recent settings specified on your computer.

3. If necessary, complete the following settings:

Detects compatible media in the multi-purpose tray

Detects whether compatible media is loaded on the multi-purpose tray during printing using the multi-purpose tray, and displays a message if compatible media is not loaded.

Check this check box to detect whether compatible media is loaded when printing.

Uncheck this check box to print without detecting whether compatible media is loaded.

▶▶▶ Important

- If you leave this check box unchecked, the printer may print to the multi-purpose tray even if compatible media is not loaded on the multi-purpose tray. Therefore, you should check this check box under normal circumstances.
- If you load compatible media that has already been printed onto the multi-purpose tray, the printer may detect that no compatible media is loaded on the multi-purpose tray. In this case, uncheck this check box.

Rotate 90 degrees left when orientation is [Landscape]

On the **Page Setup** tab, you can change the rotation direction of the **Landscape** in the **Orientation**.

To rotate the print data 90 degrees to the left during printing, select this item. To rotate the print data 90 degrees to the right during printing, clear this item.

▶▶▶ Important

- Do not change this setting while the print job is displayed in the print wait list. Otherwise, characters may be omitted or the layout may become corrupt.

Do not detect mismatched paper settings when printing from a computer

When you print documents from your computer, the paper settings in the printer driver and the paper information registered on the printer do not match, this setting disables the message

display and allows you to continue printing.

To disable detection of paper setting mismatches, select this check box.

Disables paper width detection when printing from computer

Even if the paper width identified by the printer during printing from the computer differs from the paper width that was set in **Paper Size** on the **Page Setup** tab, this function disables the message display and allows you to continue printing.

To disable detection of the paper width during printing, check this check box.

4. Apply the settings

Click **OK** and when the confirmation message appears, click **OK**.

The printer operates with the modified settings hereafter.

Reducing the Printer Noise

The silent function allows you to reduce the operating noise of this printer. Select when you wish to reduce the operating noise of the printer at night, etc.

Using this function may lower the print speed.



Quiet Settings

1. Open [Canon IJ Printer Assistant Tool](#)

2. Click **Quiet Settings**

The **Quiet Settings** dialog box opens.

▶▶▶ Note

- If the printer is off or if communication between the printer and the computer is disabled, an error message may appear because the computer cannot collect the printer status. If this happens, click **OK** to display the most recent settings specified on your computer.

3. Set the quiet mode

If necessary, specify one of the following items:

Do not use quiet mode

Select this option when you wish to use the printer with volume of normal operating noise.

Always use quiet mode

Select this option when you wish to reduce the operating noise of the printer.

Use quiet mode during specified hours

Select this option when you wish to reduce the operating noise of the printer during a specified period of time.

Set the **Start time** and the **End time** of the quiet mode you wish to be activated. If both are set to the same time, the quiet mode will not function.

▶▶▶ Important

- You can set the quiet mode from the operation panel of the printer or the Canon IJ Printer Assistant Tool. No matter how you use to set the quiet mode, the mode is applied when you perform operations from the operation panel of the printer or printing from the computer.
- Quiet Mode is not applied to operations (direct print, etc.) performed directly from the printer even during times set for **Use quiet mode during specified hours**.

4. Apply the settings

Check that the printer is on and then click **OK**.

Click **OK** when the confirmation message appears.

The settings are enabled hereafter.

»» Note

- The effects of the quiet mode may be less depending on the paper source and the print quality settings.

Changing Printer's Setting Using Web Browser

- ▶ **Configuration Changes Using Web Browser**
- ▶ **Changeable Setting Items Using Web Browser**
- ▶ **Setting Password**
- ▶ **Registering Printer's Root Certificate to Web Browser for SSL Communication (Remote UI)**
- ▶ **Registering Printer's Root Certificate to Local Computer for SSL Communication**
- ▶ **Generating Server Certificate (Self-signed Certificate)**

Configuration Changes Using Web Browser

You can check the printer status and change the printer settings using the web browser on your smartphone, tablet, or computer.

To check the printer status and to change the printer settings, display "Remote UI" on the web browser.

»» Note

- Remote UI is a software that enables you to perform operations, which are usually performed on the printer's operation panel, using a Web browser over a network.

LAN connection with the printer is required to use Remote UI.

- You can use Remote UI on the following OS and the web browser.

- iOS device

OS: iOS 11.0 or later

Web browser: iOS standard Web browser (Mobile Safari)

- Android device

OS: Android 4.4 or later

Web browser: Android standard Web browser (Chrome)

- macOS device

OS: Mac OS X v10.10 or later

Web browser: Safari 10.0 or later

- Windows device

OS: Windows 10/Windows 8.1/Windows 7 SP1 or later

Web browser: Internet Explorer 11 or later, Google Chrome, or Mozilla Firefox

1. Check that printer is turned on.

➔ [Power Supply](#)

2. Check printer's IP address.

1. Display the HOME screen.

If the HOME screen is not displayed, select the **HOME** button.

2. Use the ▲▼ buttons to select  **LAN settings** on HOME screen and press the **OK** button.

➔ [LCD and Operation Panel](#)

The setup menu screen will appear.

3. Use the ▲▼ buttons to select enabled LAN, and press the **OK** button.

Diagonal lines are displayed for disabled LAN icons.

4. Use the ▲▼ buttons, check the **IPv4 address**.
3. Open web browser on your smartphone, tablet, or computer and enter IP address.

Enter as following in the URL field of the web browser.

http://XXX.XXX.XXX.XXX

Enter the IP address in "XXX.XXX.XXX.XXX".

When you access, "Remote UI" will be displayed on the web browser on your smartphone, tablet, or computer.

4. If you display Remote UI for the first time on your smartphone, tablet, or computer, select **For secure communication**.

Download the root certificate, and then register it.

➔ [Registering Printer's Root Certificate to Web Browser for SSL Communication \(Remote UI\)](#)

▶▶▶ Note

- Once you register the root certificate to the web browser on your smartphone, tablet, or computer, this step is not necessary after the next time.
If all settings are set back to the default from the printer's operation panel, download the root certificate again, and then register it.
- If the root certificate is not registered, a message to warn you that the secure connection is not guaranteed may appear.

5. Select **Log in**.

The password authentication screen appears.

▶▶▶ Note

- When the standard user mode is enabled, choose either administrator mode or standard user mode to log in.
After choosing a mode and selecting **Log in**, the password authentication screen of each mode appears.

6. Enter password.

When the password authentication is complete, the menus that can be utilized are displayed on the web browser.

▶▶▶ Important

- The password is set at the time of purchase. The password is the printer serial number. The printer serial number is printed on the sticker attached on the printer. It consists of 9 alphanumeric characters (four alphabets followed by five numbers).

For details on setting password, see [Setting Password](#).

7. Check printer status and change printer settings.

For changeable setting items, see below.

➡ [Changeable Setting Items Using Web Browser](#)

8. When you finish checking printer status and changing printer settings, select **Log out**.

9. Close web browser.

Changeable Setting Items Using Web Browser

▶▶▶ Note

- The items described here and the items displayed in the web browser may differ in display order.
- The item which can be used is different in administrator mode or in standard user mode.

Items for Security

Security (Item for administrator)

This function allows you to specify the password, the standard user mode settings, and SSL/TLS settings of certificate for encrypted communication.

For details on setting password, see [Setting Password](#).

Items for Maintenance/Management

Utilities

This function allows you to set and perform maintenance such as cleaning.

System info and LAN settings

This function allows you to check the system information and to change the LAN settings.

If you place a check mark of **Enable HTTPS redirection** in **CHMP settings** in **Advanced setup** in **LAN settings**, it becomes possible to authenticate the communication partner and encrypt the communication data by HTTPS communication.

▶▶▶ Note

- Some of the menu is available only when you are logged in administrator mode.

Firmware update (Item for administrator)

This function allows you to update the firmware and check version information.

Language selection (Item for administrator)

This function allows you to change the language on the display.

Items for Printer

Printer settings

This function allows you to change the printer settings such as the energy saving settings, and the print settings.

▶▶▶ Note

- Some of the menu is available only when you are logged in administrator mode.

AirPrint settings

This function allows you to perform print settings when printing using AirPrint from the macOS device or the iOS device.

Web service connection setup (Item for administrator)

This function allows you to register to Google Cloud Print or IJ Cloud Printing Center, or delete a registration.

 **Other Items****Printer status**

This function displays printer information such as the remaining ink amount, the status, and detailed error information.

You can also connect to the ink purchase site or support page, and use Web Services.

Manual (Online)

This function displays the Online Manual.

Setting Password

Each of passwords for administrator and standard user can be set.

When logging in with password for administrator, all settings can be changed.

When logging in with password for standard user, some of the settings can be changed.

When logging in with password for administrator, you can restrict the function for standard user.

➔ [Setting Administrator Password](#)

➔ [Setting Standard User Password](#)

▶▶▶ Note

- Password can be set only when you are logged in administrator mode.

Setting Administrator Password

Change the administrator password by following the steps below.

▶▶▶ Important

- The password is set at the time of purchase. The password is the printer serial number. The printer serial number is printed on the sticker attached on the printer. It consists of 9 alphanumeric characters (four alphabets followed by five numbers).

1. [Display printer status on web browser.](#)

2. Select **Security**.

The menus are displayed.

3. Select **Administrator password setting**.

4. Select **Change administrator password**.

If the administrator password is not set, registration confirming message is displayed. Select **Yes**.
When message is displayed again, select **OK**.

5. Select range where administrator password is valid and select **OK**.

Remote UI and other tools

Entering the administrator password is required to change the setting items using the Remote UI or some software.

Operation panel/Remote UI/other tools

Entering the administrator password is required to change the setting items using the operation panel of the printer, the Remote UI, or some software.

6. Enter a password, and then select **OK**.

»» Important

- The following character restrictions apply to the password:
 - Set the password by using 4 to 32 characters.
 - The allowed characters are single-byte alphanumeric characters, blank space, umlaut characters, and the below characters.
- ! @ # \$ % ^ & * _ ; : , . / ` = + ' " () { } [] < > |
 - For security reasons, we recommend you use 8 and more alphanumeric characters.

7. When the completion message is displayed, select **OK**.

Setting Standard User Password

Enable the standard user mode and set a standard user password by following the steps below.

1. [Display printer status on web browser.](#)
2. Select **Security**.
The menus are displayed.
3. Select **Standard user mode settings**.
4. When the confirming message is displayed, select **Yes**.
5. Enter a password, and then select **OK**.

»» Important

- The following character restrictions apply to the password:
 - Set the password by using 4 to 32 characters.
 - The allowed characters are single-byte alphanumeric characters, blank space, umlaut characters, and the below characters.
- ! @ # \$ % ^ & * _ ; : , . / ` = + ' " () { } [] < > |
 - For security reasons, we recommend you use 8 and more alphanumeric characters.

6. When the completion message is displayed, select **OK**.

Registering Printer's Root Certificate to Web Browser for SSL Communication (Remote UI)

If the printer's root certificate has not been registered to the web browser, a message to warn you that the secure connection is not guaranteed may appear.

When you display Remote UI for the first time on your smartphone, tablet, or computer, download the root certificate, and then register it to the web browser. The secure connection will be confirmed and a message will not appear. However, the message may appear depending on a web browser even after you have registered the root certificate.

How to register the root certificate varies depending on the web browser.

- ➔ [For Internet Explorer](#)
- ➔ [For Safari](#)
- ➔ [For Chrome on Android](#)
- ➔ [For Mobile Safari on iOS](#)

Operating procedure may differ depending on the version of your web browser. For other web browser, refer to each help.

►► Important

- Make sure that you have accessed to the printer IP address correctly by checking the URL field of the web browser before registering the root certificate.
- If the printer is connected via IPv6 using Windows, you need to generate a server certificate using Remote UI.

For details, see [Generating Server Certificate \(Self-signed Certificate\)](#).

For Internet Explorer

1. Select **Download** on Remote UI.

Downloading the root certificate is started.

2. If confirmation screen appears, select **Open**.

Certificate screen is displayed.

►► Note

- To save the certificate file to your device and register it, select **Save**. Select **Internet options** from **Tool** menu of Internet Explorer, register the root certificate from **Certificates** on **Content** sheet.

3. Select **Install Certificate**.

Certificate Import Wizard screen is displayed.

4. Select **Next**.

5. Select **Place all certificates in the following store**.
6. Select **Browse**.
Select **Certificate Store** screen is displayed.
7. Select **Trusted Root Certification Authorities** and **OK**.
8. Select **Next** on **Certificate Import Wizard** screen.
9. If **Completing the Certificate Import Wizard** appears, select **Finish**.
Security Warning screen is displayed.
10. Make sure that thumbprint on **Security Warning** screen matches printer's thumbprint.
The printer's thumbprint is displayed in **Root cert. thumbprint (SHA-1)** column or **Root cert. thumbprint (SHA-256)** column when operated in the following order from the printer's operation panel.
Printer information > System information
11. If thumbprint on **Security Warning** screen matches printer's thumbprint, select **Yes**.
12. Select **OK** on **Certificate Import Wizard** screen.
The root certificate registration is completed.

For Safari

1. Select **Download** on Remote UI.
Downloading the root certificate is started.
2. Open the downloaded file.
Add Certificates screen is displayed.
3. Select **Add**.
4. Make sure that thumbprint of certificate detail information matches printer's thumbprint.
The printer's thumbprint is displayed in **Root cert. thumbprint (SHA-1)** column or **Root cert. thumbprint (SHA-256)** column when operated in the following order from the printer's operation panel.
Printer information > System information

5. If thumbprint of certificate detail information matches printer's thumbprint, select **Always Trust**.

The root certificate registration is completed.

▶▶▶ Note

- If a password is set on your device, entering a password may be required.

For Chrome on Android

1. Select **Download** on Remote UI.

Downloading the root certificate is started and then **Name the certificate** screen is displayed.

2. As entering the root certificate name is required, enter an arbitrary certificate name and select **OK**.

The root certificate registration is completed.

▶▶▶ Note

- If PIN or password is not set as security type, the attention screen may appear. Select **OK**, and then set the security type to PIN or password.

After Root Certificate Registration

We recommend that you make sure that the correct root certificate has been registered.

To make sure that the correct root certificate has been registered, make sure that thumbprint of certificate information matches printer's thumbprint. Follow the steps below.

▶▶▶ Note

- Some Android devices cannot be checked the thumbprint of a registered route certificate.

1. From **Settings** menu on your device, select **Security, Trust credentials**, and **USER**.

The list of downloaded certificates appears.

2. Select downloaded certificate.

The certificate information appears.

3. Make sure that thumbprint of certificate information matches printer's thumbprint.

The printer's thumbprint is displayed in **Root cert. thumbprint (SHA-1)** column or **Root cert. thumbprint (SHA-256)** column when operated in the following order from the printer's operation panel.

Printer information > System information

4. If thumbprint of certificate information screen matches printer's thumbprint, select **OK**.

The root certificate registration is completed.

If the message to warn you that the secure connection is not guaranteed appears when you select **Log in** on Remote UI after registering the root certificate, restart the web browser. The message will not appear on the web browser.

▶▶▶ Note

- Depending on the Android device, a warning may appear even after registering the proper root certificate.

For Mobile Safari on iOS

1. Select **Download** on Remote UI.

Downloading the root certificate is started and then **Install Profile** screen is displayed.

2. Select **Install**.

Warning screen is displayed.

▶▶▶ Note

- If a password is set on your device, entering a password may be required.

3. Select **Install**.

4. Select **Install** on displayed dialog.

The root certificate registration is completed.

Registering Printer's Root Certificate to Local Computer for SSL Communication

To print from your computer or use Device Management Console and so on, when you connect the printer to a computer using SSL encrypted communication, you need to register (import) the printer's root certificate to your computer.

Procedure to register the certificate varies depending on your operation environment.

▶▶▶ Important

- If the printer is connected via IPv6 using Windows, you need to generate a server certificate using Remote UI.

For details, see [Generating Server Certificate \(Self-signed Certificate\)](#).

➔ [For Windows 10/Windows 8.1](#)

➔ [For Windows 7](#)

➔ [For macOS](#)

Operation procedure may differ depending on your OS version.

For Windows 10/Windows 8.1

The procedure below describes how to import a root certificate in Windows 10/Windows 8.1.

1. [Start up Remote UI.](#)
2. Select **For secure communication.**

▶▶▶ Note

- You can download a certificate from Status Monitor.

1. Open status monitor.

Open the **Printing Preference**, and select **Enable Status Monitor** on **Main**.

2. Download a certificate.

Select **Download Security Certificate** from the **Remote UI** menu.

3. Select **Download.**

The root certificate will be downloaded.

4. When download confirmation screen is displayed, select **Open.**

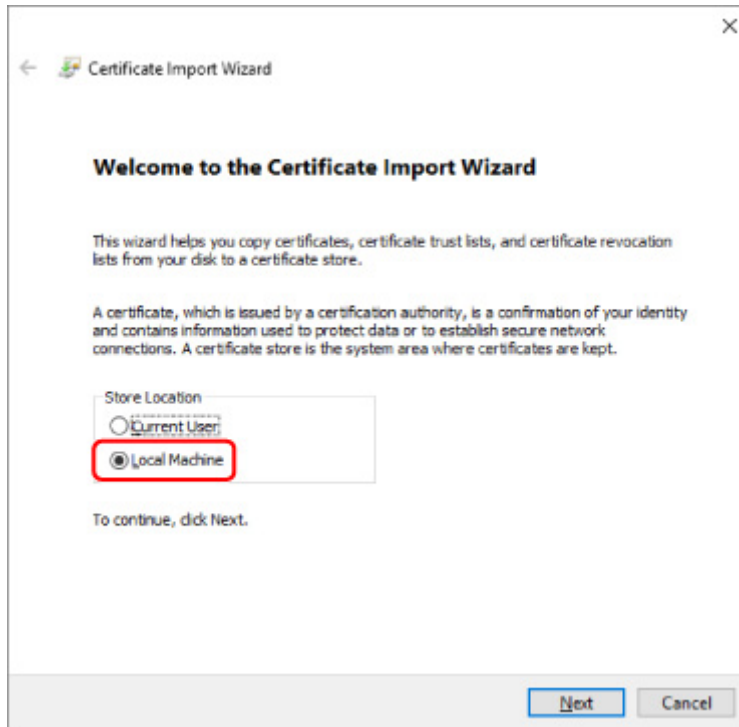
The **Certificate** screen appears.

5. Select **Install Certificate.**

The **Certificate Import Wizard** screen appears.

6. Select **Local Machine**.

1. Select **Local Machine** on the startup screen of **Certificate Import Wizard**.



2. Select **Next**.
3. Select **Yes** on the displayed screen.

The **Certificate Store** screen appears.

7. Select **Place all certificates in the following store**.

8. Select **Trusted Root Certificate Authorities**.

1. Select **Browse** to open the **Select Certificate Store** screen.
2. Select **Trusted Root Certificate Authorities** from the list and select **OK**.
3. Select **Next** on the **Certificate Store** screen.

9. Select **Finish**.

When the **Completing the Certificate Import Wizard** screen appears, check the settings and select **Finish**.

For Windows 7

The procedure below describes how to import a root certificate in Windows 7.

»» Important

- Be sure to create a certificate snap-in before importing a root certificate.
The root certificate will be registered to the local user if you import it without creating a certificate snap-in.

Creating Certificate Snap-in

1. Start up Microsoft Management Console.

Enter **MMC** on **Search programs and files** in the **Start** menu and press the Enter key.

2. Select **Yes** on displayed screen.

3. Select **Add/Remove Snap-in** from **File** menu.

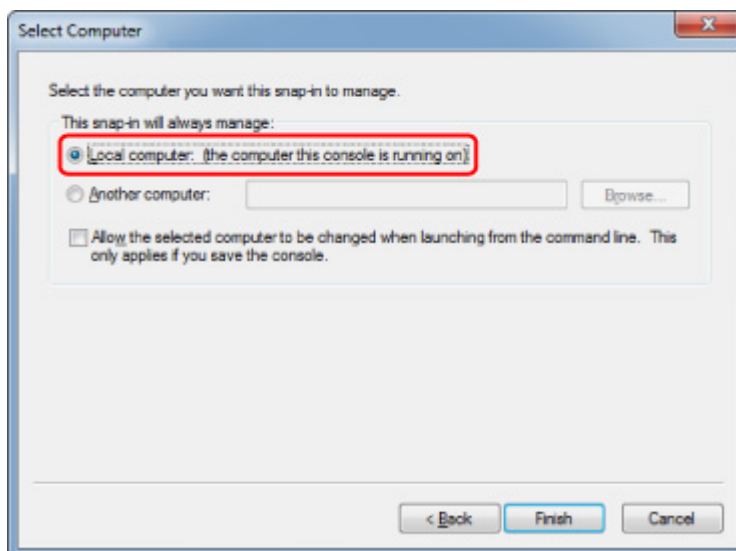
The **Add or Remove Snap-ins** screen appears.

4. Add **Certificate** snap-in.

1. Select **Certificates** from **Available snap-ins** list and select **Add**.

2. Select **Computer account** for **This snap-in will always manage certificates for** on the **Certificates snap-in** screen and select **Next**.

3. Select **Local computer** on the **Select computer** screen and select **Finish**.



4. Select **OK** on the **Add or Remove Snap-ins** screen.

Downloading Certificate

1. [Start up Remote UI.](#)
2. Select **For secure communication.**

▶▶▶ Note

- You can download a certificate from Status Monitor.
 1. Open status monitor.
Open the **Printing Preferences**, and select **Enable Status Monitor** on **Main**.
 2. Download a certificate.
Select **Download Security Certificate** from the **Remote UI** menu.

3. Select **Download.**
4. Select **Save.**

Importing Certificate

1. Open **Certificate Import Wizard.**
 1. On the left window, open **Trusted Root Certificate** from **Certificate** on **Console Root.**
 2. Right-click **Certificates** and select **Import** from **All tasks.**
2. Specify certificate file to import.
 1. Select **Next.**
 2. Specify the certificate file to import on **File name** and select **Next.**
3. Specify certificate store.
 1. Select **Place all certificates in the following store.**
 2. Select **Trusted Root Certificate Authorities** for **Certificates Store.**
4. Finish certificate import wizard.
 1. Select **Next** and check the specified settings.
 2. Select **Finish** to finish the wizard.

3. Select **OK** on the displayed screen.

Checking Imported Certificate

Make sure the imported certificate has been registered to your computer.

1. Display certificate list.

On the left window of Microsoft Management Console, select **Console Root > Certificates (Local Computer) > Trusted Root Certificate Authorities** in this order, and select **Certificates** to display the certificate list.

2. Check registered certificate.

Make sure the imported certificate name is displayed on the list.

»» Note

- Make sure you can see the registered certificate from **Current user** by creating the **Current user** snap-in.

»» Note

- When you finish Microsoft Management Console, a message asking you whether to save the console setting. If you continue to apply the same settings next, select **Yes** to save.

For macOS

The procedure below describes how to import a root certificate in macOS.

1. [Start up Remote UI.](#)
2. Select **For secure communication.**
3. Select **Download.**


The root certificate will be downloaded.

4. Open downloaded certificate file.

When the download procedure is completed, a downloaded item pops up on the right of the screen.

Double-click the downloaded certificate on the list starts up **Keychain Access** and the **Add Certificates** screen appears.

»» Note

- If the downloaded item does not pop up, select the **Show Downloads**  button on the right.

- Selecting the magnifying glass icon on the right of download list displays the folder containing the certificate.

5. Select **Add**.

Select the destination for the certificate on **Keychain**.

Selecting **Add** displays information on the certificate.

▶▶▶ **Note**

- You can add the certificate by selecting the same certificate on **Keychain Access**. Check the name of certification to add after selecting **View Certificates**.

6. Check certificate.

Make sure the fingerprint of certificate shown on **Details** corresponds with the root certificate thumbprint of the printer.

The printer's thumbprint is displayed in **Root cert. thumbprint (SHA-1)** column or **Root cert. thumbprint (SHA-256)** column when operated in the following order from the printer's operation panel.

Printer information > System information

7. Select **Always Trust**.

If the fingerprint of certificate detail information matches printer's thumbprint, display information on certificate from the menu or by double-clicking the certificate, and select **Always Trust** on **Trust**.

The root certificate has been registered.

▶▶▶ **Note**

- Entering the password may be required if you specify it for your printer.

Generating Server Certificate (Self-signed Certificate)

When you use SSL connection via IPv6 network, you need to generate an IPv6 server certificate using the printer.

Generate the server certificate from Remote UI.

Follow the procedure below.

Step1 [Checking Printer's IP Address](#)

Step2 [Generating Server Certificate](#)

Step3 [Checking Generated Server Certificate](#)

▶▶▶ Important

- If you generate an IPv6 server certificate, you cannot use SSL communication via IPv4. In addition, a warning message may appear if you are using Remote UI.

To reset the IPv6 server certificate, operate in the following order from the Remote UI.

Security > SSL/TLS settings > Delete key and certificate > OK

Checking Printer's IP Address

1. Check that printer is turned on.

➔ [Power Supply](#)

2. Display the HOME screen.

If the HOME screen is not displayed, select the **HOME** button.

3. Use the ▲▼ buttons to select  **LAN settings** and press the **OK** button.

➔ [LCD and Operation Panel](#)

4. Use the ▲▼ buttons to select the enabled LAN and press the **OK** button.

Diagonal lines are displayed for disabled LAN icons.

5. Use the ▲▼ buttons to check the value on **IPv6 link-local address**.

Write down the value on **IPv6 link-local address** for your reference when you open Remote UI and generate a server certificate.

Generating Server Certificate

1. Open web browser on your smartphone, tablet, or computer and enter the printer IP address.

Enter as following in the URL field of the web browser.

http://[XXXX::XXXX:XXXX:XXXX:XXXX]

On "XXXX::XXXX:XXXX:XXXX:XXXX", enter the abbreviation value on "3-2-16 Link Local Address".

The top screen of Remote UI appears.

2. Select **Log in** on Remote UI.

▶▶▶ Note

- If you specify the administrator password, enter the password.

3. Select **Security**.
4. Select **SSL/TLS settings**.
5. Select **Generate key and certificate**.
6. Select **Generate self-signed cert**.

The **Generate self-signed cert** screen appears.

Specify each setting item.

- **Signature algorithm**

Select **SHA256**.

- **Public key length (bits)**

Select **2048 bits**.

- Specify the expiration date.

Enter the date you generated the server certificate on **Valid from**.

Enter the date the server certificate expires on **Valid to**.

- Enter the common name.

Enter the value in **Common name** you checked and wrote down on "3-2-16 Link Local Address".

▶▶▶ Note

- When you enter the common name, add [] to each end of the printer's IP address.
- Do not use a comma or make a space for the common name.

7. Select **Next**.

You need not enter anything on **Country**, **State or province**, **Locality**, **Organization**, **Organizational unit** or **Subject Alternative Names**.

8. Select **Generate**.

The server certificate starts to be generated.

When the server certificate has been generated, **Generated a self-signed certificate** appears.

9. Select **Restart LAN**.

LAN will be restarted.

When LAN has been restarted, **Printer status** on Remote UI appears.

Note

- If you cannot access to Remote UI after you restart LAN, reload your web browser.

Checking Generated Server Certificate

1. Select **Security** on Remote UI.

2. Select **SSL/TLS settings**.

The **SSL/TLS settings** screen appears.

3. Select **Check key and certificate**.

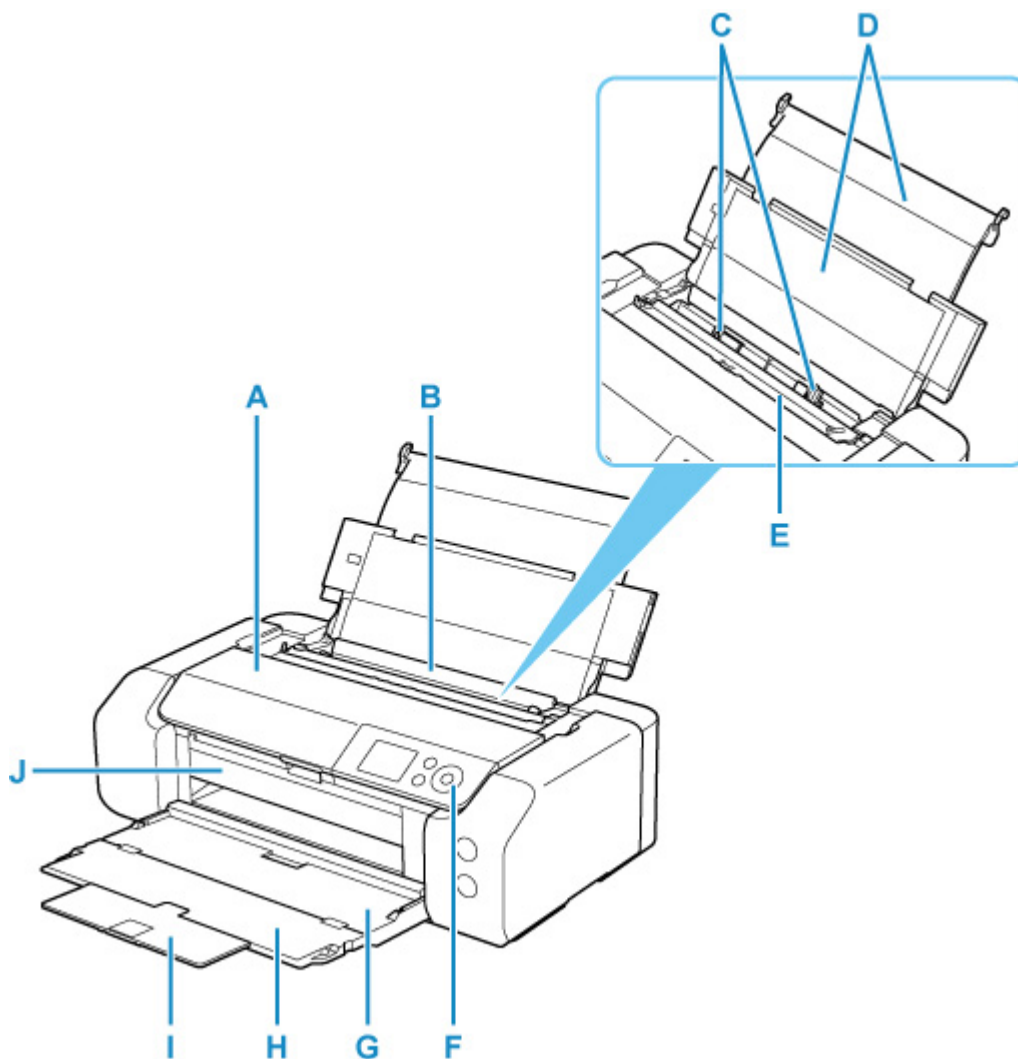
The **Check key and certificate** screen appears.

Make sure the issuer of the root certificate is displayed on **Issued by**, and the value you entered on **Common name** on **Subject**.

Printer Parts

- **Front View**
- **Rear View**
- **Inside View**
- **Power Supply**

Front View



A: Top Cover

Open to replace an ink tank or to remove jammed paper inside the printer.

B: Top Feed

Two or more sheets of the same size and type of paper can be loaded at the same time, and fed automatically one sheet at a time.

➔ [Loading Paper in the Top Feed](#)

C: Paper Guides

Align with both sides of the paper stack.

D: Paper Support

Open to load paper in the top feed.

E: Feed Slot Cover

Prevents anything from falling into the feed slot.

Open it to slide the paper guides, and close it before printing.

F: Operation Panel

Use to change the settings of the printer or to operate it.

➔ [Operation Panel](#)

G: Paper Output Tray

Printed paper is ejected. Open it before printing.

H: Output Tray Extension

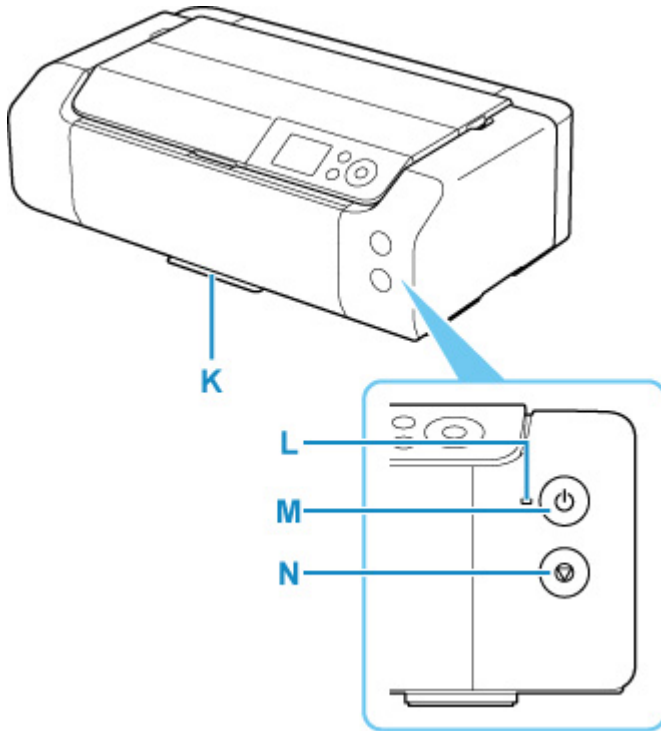
Open to support ejected paper.

I: Paper Output Support

Pull out to support ejected paper.

J: Multi-purpose Tray Guide

Place the multi-purpose tray here.



K: Multi-purpose Tray Storage Compartment

The multi-purpose tray supplied with the printer can be stored here.

L: ON lamp

Lights after flashing when the power is turned on.

M: ON button

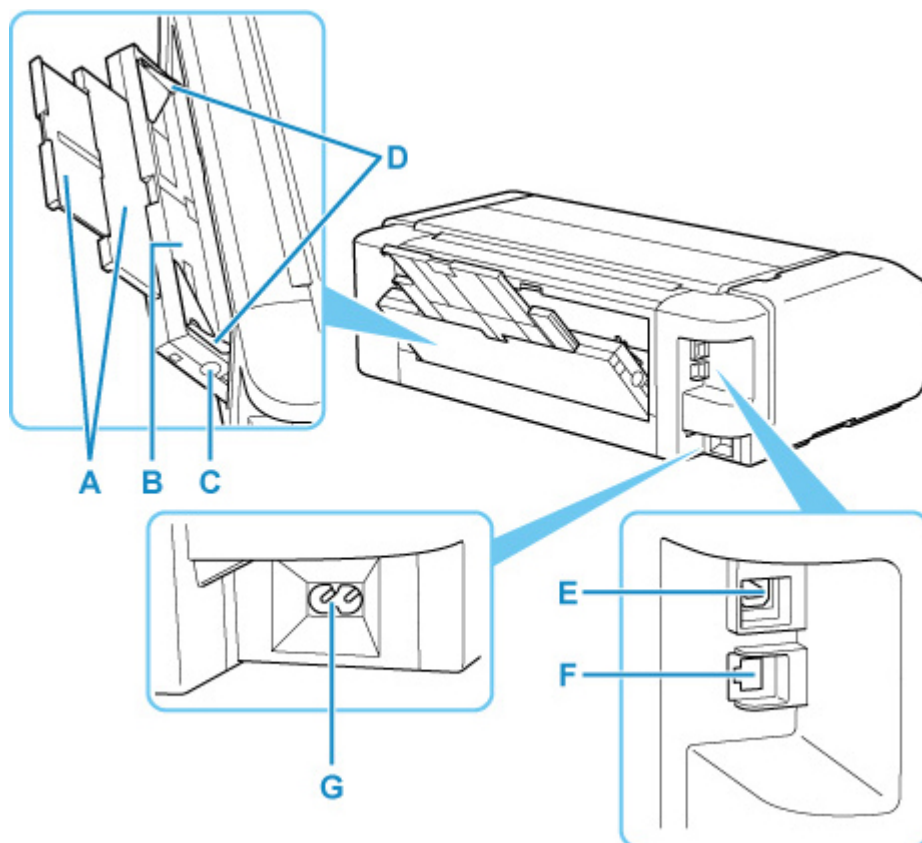
Turns the power on or off.

➔ [Turning the Printer On and Off](#)

N: Stop button

Cancels a print job in progress.

Rear View



A: Paper Support

Pull out to load paper in the manual feed tray.

B: Manual Feed Tray

Load one sheet of 8" x 10" (20 x 25 cm) size paper or larger, or thick paper at a time.

➔ [Loading Paper in the Manual Feed Tray](#)

C: Paper Jam Clearing button

Press this button when removing paper jammed in the manual feed tray.

D: Paper Guides

Align with both sides of the paper stack.

E: USB Port

Plug in the USB cable to connect the printer with a computer.

F: Wired LAN Connector

Plug in the LAN cable to connect the printer to a LAN.

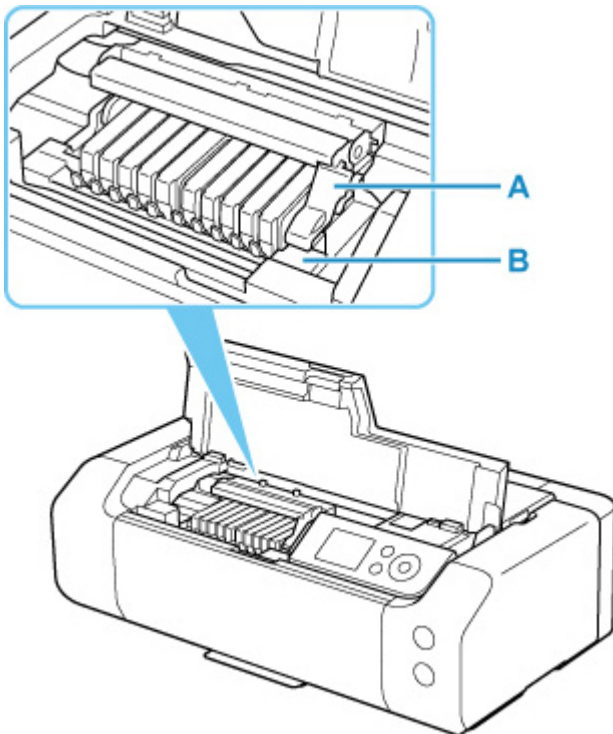
G: Power Cord Connector

Plug in the supplied power cord.

»» Important

- Do not touch the metal casing.
- Do not plug in or unplug the USB cable or LAN cable while the printer is printing with the computer. This can cause trouble.

Inside View



A: Print Head Lock Lever

Locks the print head into place.

B: Print Head Holder

Install the print head here.

►► Important

- Do not raise the print head lock lever after installing the print head.

►► Note

- For details on replacing an ink tank, see [Replacing Ink Tanks](#).

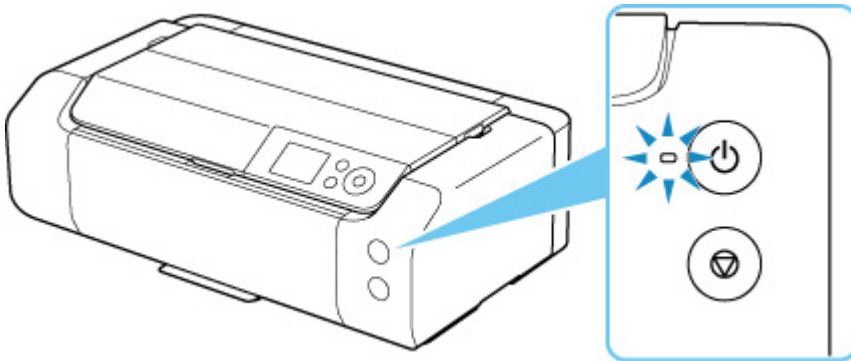
Power Supply

- **Checking that Power Is On**
- **Turning the Printer On and Off**
- **Checking the Power Plug/Power Cord**
- **Unplugging the Printer**

Checking that Power Is On

The **ON** lamp is lit when the printer is turned on.

Even if the LCD is off, if the **ON** lamp is lit, the printer is on.



▶▶▶ Note

- It may take a while for the printer to start printing immediately after you turn on the printer.
- The LCD will turn off if the printer is not operated for about 3 minutes. To restore the display, press any button or perform the print operation. You cannot change the wait time before the LCD turns off.

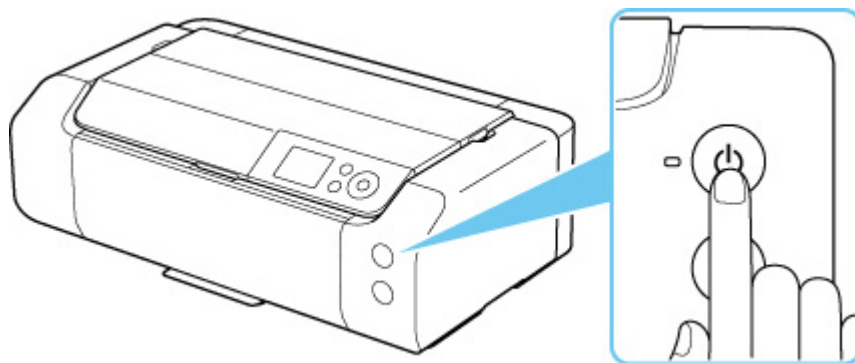
Turning the Printer On and Off

Turning on the printer

1. Press the **ON** button to turn on the printer.

The **ON** lamp flashes and then remains lit.

➔ [Checking that Power Is On](#)



▶▶▶ Note

- It may take a while for the printer to start printing immediately after you turn on the printer.
- When the power is turned on, the printer may start mixing the ink to maintain optimal ink quality (about 1 to 2 minutes).
- If an error message is displayed on the LCD, see [When Error Occurred](#).
- You can set the printer to automatically turn on when a print operation is performed from a computer connected by USB cable or via network. This feature is set to off by default.

From the printer

➔ [Energy saving settings](#)

From the computer

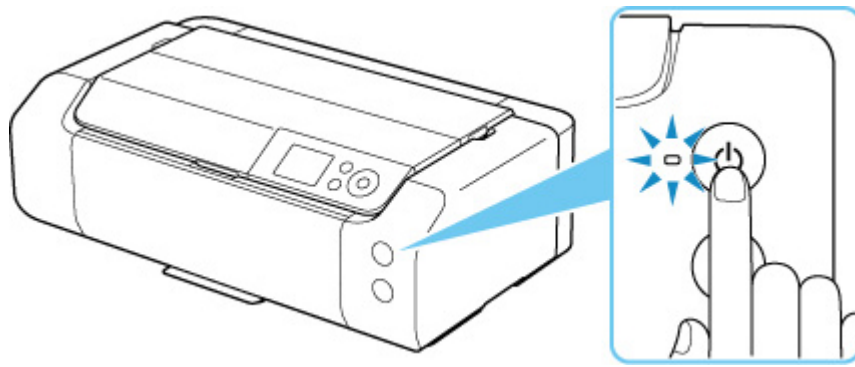
➔ [Managing the Printer Power](#) (Windows)

➔ [Managing the Printer Power](#) (macOS)

Turning off the printer

1. Press the **ON** button to turn off the printer.

When the **ON** lamp stops flashing, the printer is turned off.



▶▶▶ Important

- When you [unplug the power cord](#) after turning off the printer, be sure to confirm that the **ON** lamp is off.

▶▶▶ Note

- You can set the printer to automatically turn off when no operations are performed or no print jobs are sent to the printer for a certain interval. This feature is set to on by default.

From the printer

- ➔ [Energy saving settings](#)

From the computer

- ➔ [Managing the Printer Power](#) (Windows)
- ➔ [Managing the Printer Power](#) (macOS)

Checking the Power Plug/Power Cord

Unplug the power cord once a month to confirm that the power plug/power cord does not have anything unusual described below.

- The power plug/power cord is hot.
- The power plug/power cord is rusty.
- The power plug/power cord is bent.
- The power plug/power cord is worn.
- The power plug/power cord is split.

Caution

- If you find anything unusual with the power plug/power cord described above, [unplug the power cord](#) and contact your nearest Canon service center. Using the printer with one of the unusual conditions above may cause a fire or an electric shock.
-

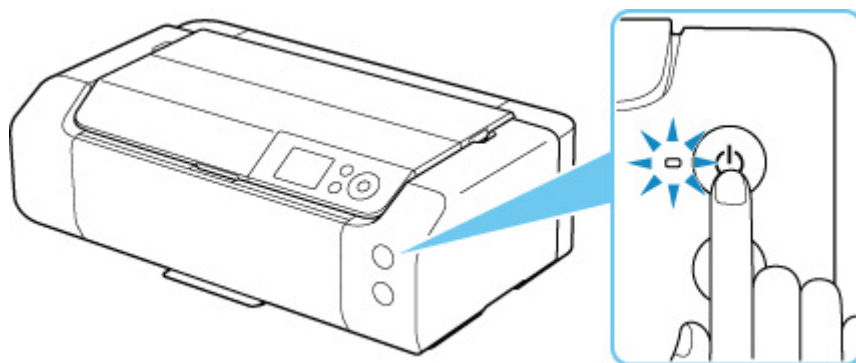
Unplugging the Printer

To unplug the power cord, follow the procedure below.

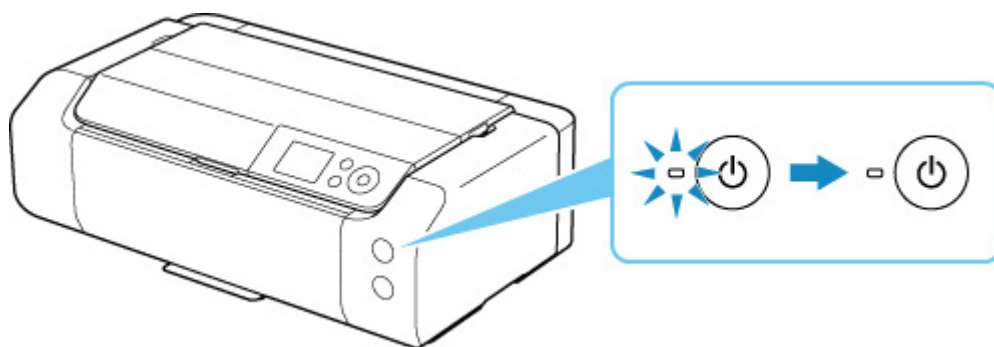
►► Important

- When you unplug the power cord, press the **ON** button, then confirm that the **ON** lamp is off. Unplugging the power cord while the **ON** lamp is lit or flashing may cause drying or clogging of the print head and print quality may be reduced.

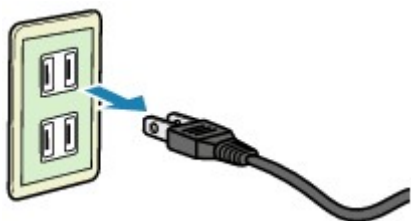
1. Press the **ON** button to turn the printer off.



2. Confirm that the **ON** lamp is off.



3. Unplug the power cord.



The specification of the power cord differs depending on the country or region of use.

Handling Paper, Multi-purpose Tray, etc.

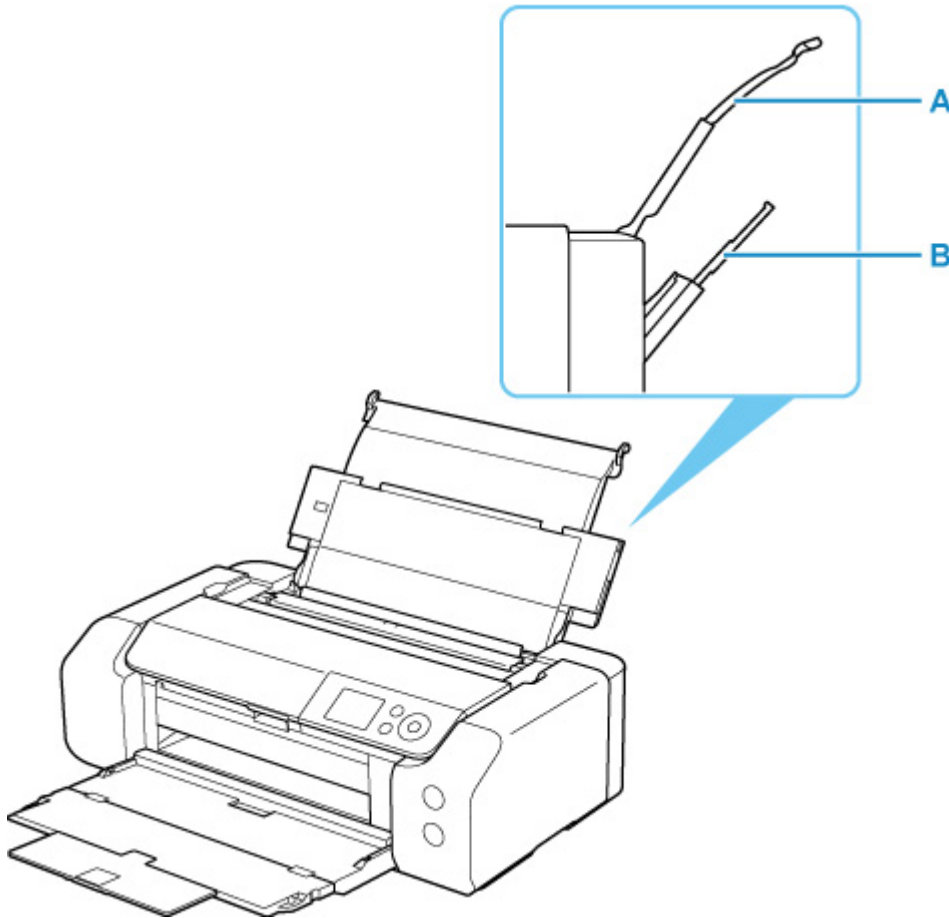
- Loading Paper
- Placing Multi-purpose Tray

Loading Paper

- **Paper Sources**
- **Loading Paper in the Top Feed**
- **Loading Paper in the Manual Feed Tray**
- **Register Paper Information**

Paper Sources

The printer has two paper sources for feeding paper, the top feed (A) and manual feed tray (B).



Top Feed

Load paper from 4" x 6" (10 x 15 cm) size to A3+ size.

Two or more sheets of the same size and type of paper can be loaded at the same time, and fed automatically one sheet at a time.

Load plain paper in the top feed.

Manual Feed Tray

Load paper from 8" x 10" (20 x 25 cm) size to A3+ size.

Load a sheet of paper at a time.

Load thick paper such as art paper in the manual feed tray.

➔ [Supported Media Types](#)

➔ [Paper Load Limit](#)

▶▶▶ Note

- When printing, select the correct page size, media type, and paper source. If you select the wrong page size or media type, the printer may not print with the proper print quality.

For details on how to load paper in each paper source, see below.

➔ [Loading Paper in the Top Feed](#)

➔ [Loading Paper in the Manual Feed Tray](#)

Loading Paper in the Top Feed

You can load multiple sheets of paper of the same type and size in the top feed.

▶▶▶ Important

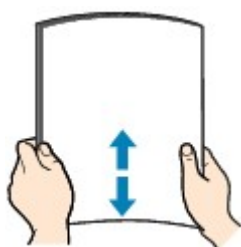
- If you cut plain paper to a size of 5" x 7" (13 x 18 cm) or smaller to perform a trial print, it may cause a paper jam.

▶▶▶ Note

- We recommend Canon genuine photo paper for printing photos. For details on the Canon genuine paper, see [Supported Media Types](#).
- You can use general copy paper or Canon Red Label Superior WOP111/Canon Océ Office Colour Paper SAT213.
For the page size and paper weight you can use for this printer, see [Supported Media Types](#).
- Print in an environment (temperature and humidity) suitable to the paper in use. For the temperature and humidity conditions of Canon genuine papers, refer to the paper's packaging or the supplied instructions.

1. Prepare paper.

Align the edges of paper. If paper is curled, flatten it.



▶▶▶ Note

- Align the edges of paper neatly before loading. Loading paper without aligning the edges may cause paper jams.
- If paper is curled, hold the curled corners and gently bend them in the opposite direction until the paper becomes completely flat.
For details on how to flatten curled paper, see [Check3](#) in [Paper Is Smudged / Printed Surface Is Scratched](#).
- When using Photo Paper Plus Semi-gloss SG-201, even if the sheet is curled, load one sheet at a time as it is. If you roll up this paper to flatten, this may cause cracks on the surface of the paper and reduce the print quality.

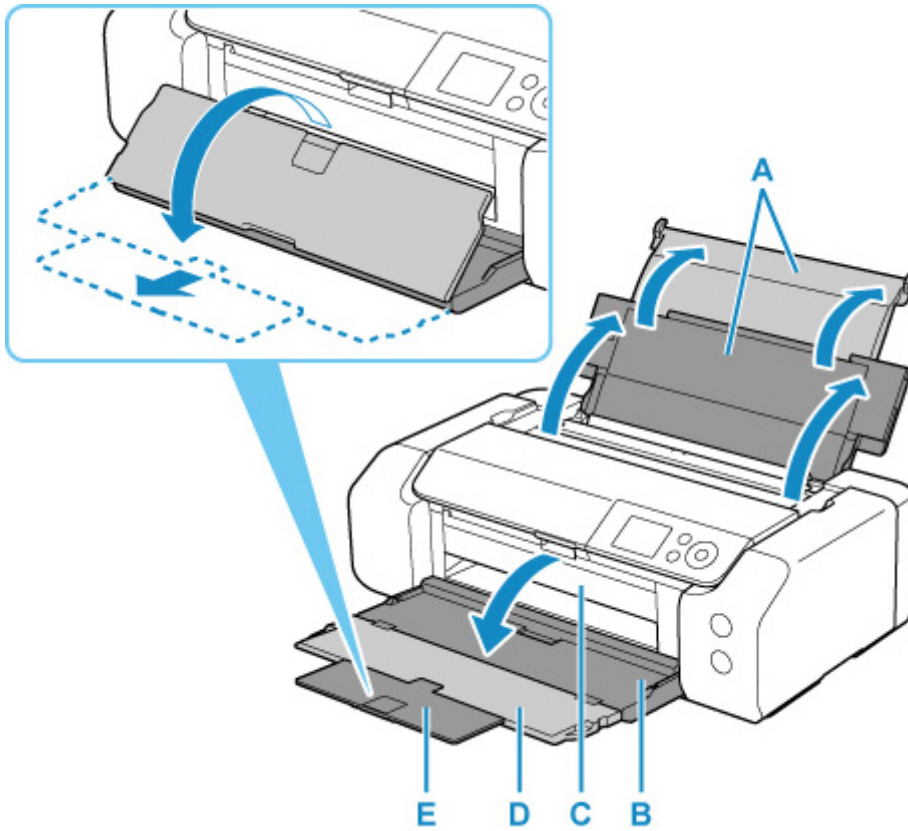
2. Open the paper support (A) of the top feed.

3. Open the paper output tray (B) gently.

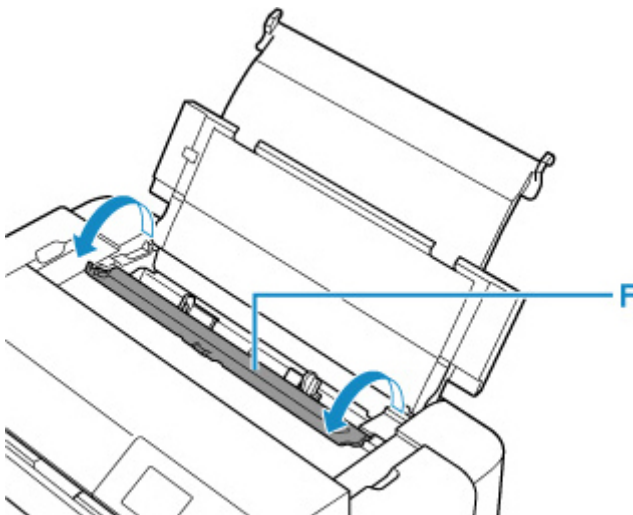
»» Important

- If the multi-purpose tray guide (C) is open, be sure to close it.

4. Open the output tray extension (D), then pull out the paper output support (E).



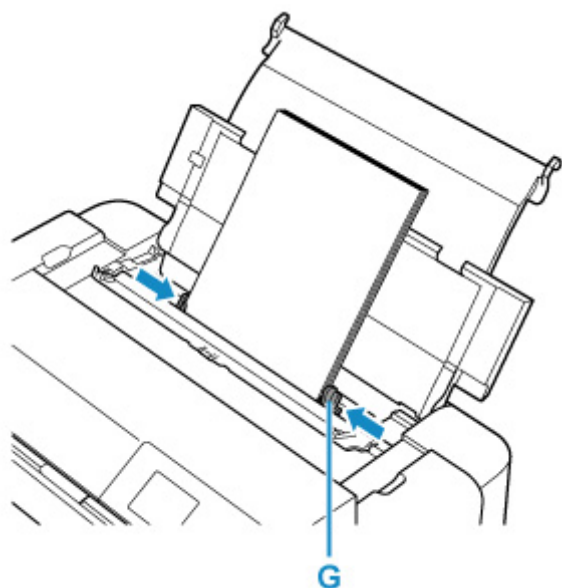
5. Open the feed slot cover (F).



6. Slide right paper guide (G) to open both paper guides and load the paper in the center of the top feed WITH THE PRINT SIDE FACING YOU.

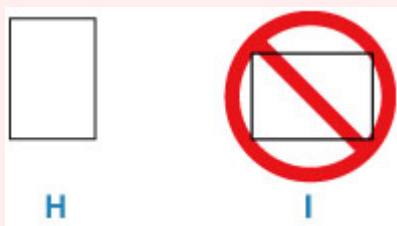
7. Slide right paper guide (G) to align both paper guides with both sides of the paper stack.

Do not slide the paper guides too hard against the paper. The paper may not be fed properly.



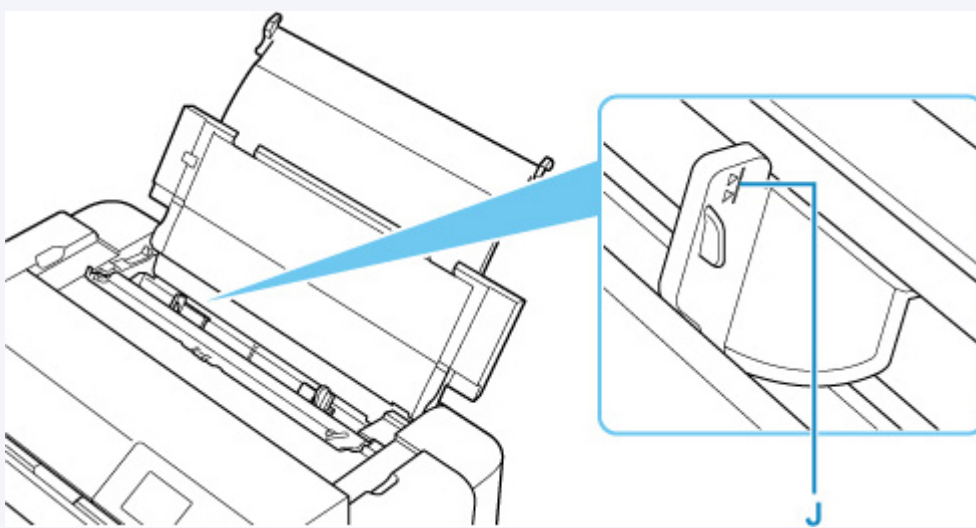
►► Important

- Always load paper in the portrait orientation (H). Loading paper in the landscape orientation (I) can cause paper jams.



►► Note

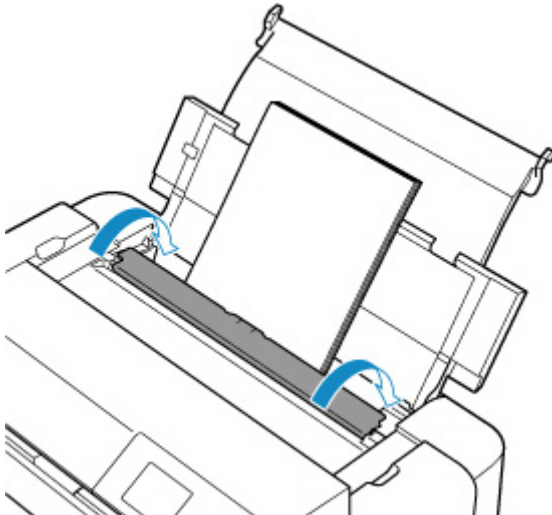
- Do not load sheets of paper higher than the load limit mark (J).



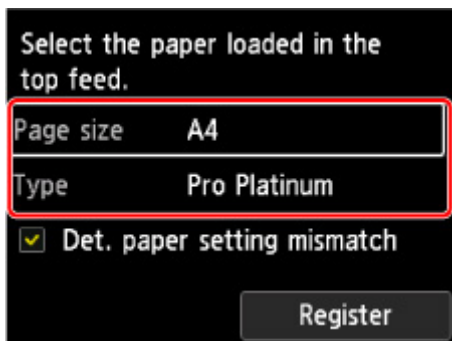
- For loading long-length paper (paper that the length is up to 39.00 in. (990.6 mm)), the leading edges of paper are lifted depending on the paper weight and printouts may be misaligned. Prevent the leading edges of paper from lifting by holding the parts protruding from the tray or other ways.

8. Close feed slot cover gently.

The paper information registration screen for the top feed is displayed on the LCD.



9. Select the size and type of paper loaded in the top feed at **Page size** and **Type**, select **Register**, then press the **OK** button.



»» Note

- There are various types of paper, such as paper with a special surface coating for printing photos at optimal quality and paper suitable for documents. Each media type has specific preset settings (how ink is used and sprayed, distance from nozzles, etc.), that allow you to print to that type with optimal image quality. The wrong paper settings may cause poor printout color quality or scratches on the printed surface. If you notice blurring or uneven colors, increase the print quality setting and try printing again.
- To prevent incorrect printing, this printer has a function that detects whether the settings for the paper loaded on the top feed matches the paper settings. Before printing, make print settings in accordance with the paper settings. When this function is enabled, an error message is displayed if these settings do not match to prevent incorrect printing. When this error message is displayed, check and correct the paper settings.

- For printing on long-length paper (paper that the length is up to 39.00 in. (990.6 mm)), hold ejected paper with your hand or use the printer at the location that paper does not fall. If paper falls, the printed surface may get dirty or be damaged. If you hold paper with your hand, do not pull it forcibly while printing.

Loading Paper in the Manual Feed Tray

You can load one sheet of 8" x 10" (20 x 25 cm) size paper or larger in the manual feed tray at a time.

▶▶▶ Note

- We recommend Canon genuine photo paper for printing photos. For details on the Canon genuine paper, see [Supported Media Types](#).
- Print in an environment (temperature and humidity) suitable to the paper in use. For the temperature and humidity conditions of Canon genuine papers, refer to the paper's packaging or the supplied instructions.
- The manual feed tray does not accept plain paper. When printing on plain paper, load it in the top feed.

1. Prepare paper.

If paper is curled, flatten it.

▶▶▶ Note

- If paper is curled, hold the curled corners and gently bend them in the opposite direction until the paper becomes completely flat.
For details on how to flatten curled paper, see [Check3](#) in [Paper Is Smudged / Printed Surface Is Scratched](#).
- When using Photo Paper Plus Semi-gloss SG-201, even if the sheet is curled, load one sheet at a time as it is. If you roll up this paper to flatten, this may cause cracks on the surface of the paper and reduce the print quality.

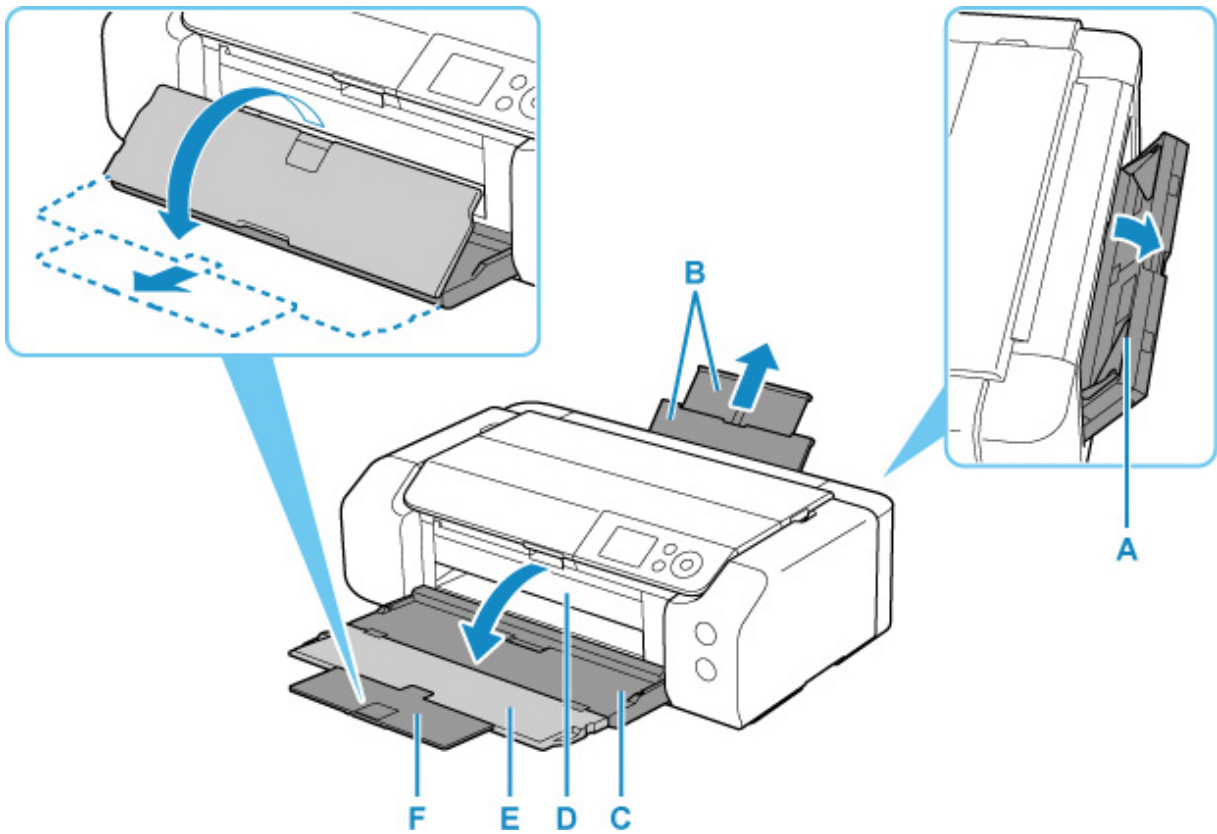
2. Open the manual feed tray (A), then extend the paper support (B).

3. Open the paper output tray (C) gently.

▶▶▶ Important

- If the multi-purpose tray guide (D) is open, be sure to close it.

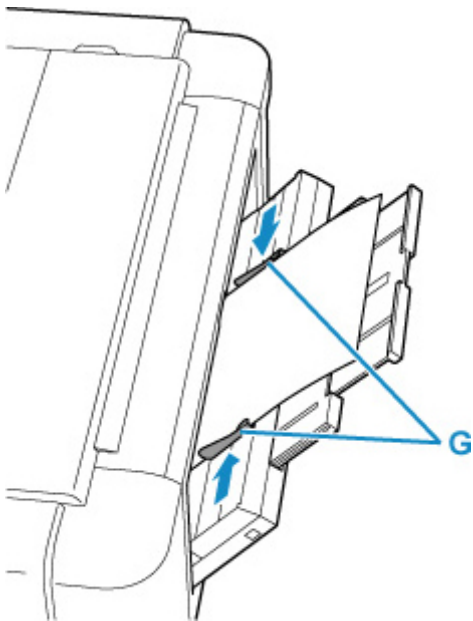
4. Open the output tray extension (E), then pull out the paper output support (F).



5. Slide the paper guides (G) to open them, and load ONLY ONE SHEET OF PAPER in the center of the manual feed tray WITH THE PRINT SIDE FACING YOU.

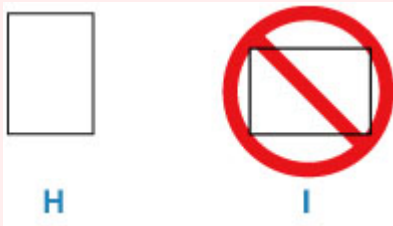
6. Slide the paper guides (G) to align them with both sides of the paper stack.

Do not slide the paper guides too hard against the paper. The paper may not be fed properly.



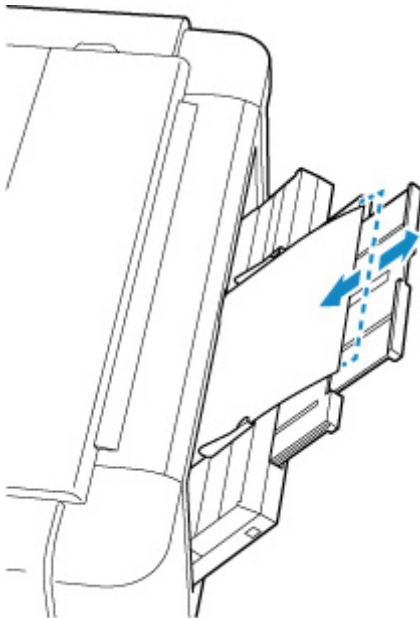
»» Important

- Always load paper in the portrait orientation (H). Loading paper in the landscape orientation (I) can cause paper jams.

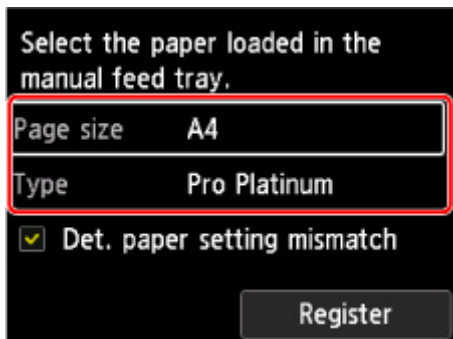


7. Check if the paper is set properly in the manual feed tray.

Make sure that the paper is set firmly against the bottom of the manual feed tray and against the paper guides by slightly jiggling the paper up and down.



8. Select the size and type of paper loaded in the manual feed tray at **Page size** and **Type**, select **Register**, then press the **OK** button.



»» Note

- To continue printing from the manual feed tray, wait until printing is complete, then load the next sheet.

- There are various types of paper, such as paper with a special surface coating for printing photos at optimal quality and paper suitable for documents. Each media type has specific preset settings (how ink is used and sprayed, distance from nozzles, etc.), that allow you to print to that type with optimal image quality. The wrong paper settings may cause poor printout color quality or scratches on the printed surface. If you notice blurring or uneven colors, increase the print quality setting and try printing again.
- To prevent incorrect printing, this printer has a function that detects whether the settings for the paper loaded on the manual feed tray matches the paper settings. Before printing, make print settings in accordance with the paper settings. When this function is enabled, an error message is displayed if these settings do not match to prevent incorrect printing. When this error message is displayed, check and correct the paper settings.
- For loading long-length paper (paper that the length is up to 39.00 in. (990.6 mm)), the leading edges of paper are lifted depending on the paper weight and printouts may be misaligned. Prevent the leading edges of paper from lifting by holding the parts protruding from the tray or other ways.

When printing on long-length paper, hold ejected paper with your hand or use the printer at the location that paper does not fall. If paper falls, the printed surface may get dirty or be damaged. If you hold paper with your hand, do not pull it forcibly while printing.

Register Paper Information

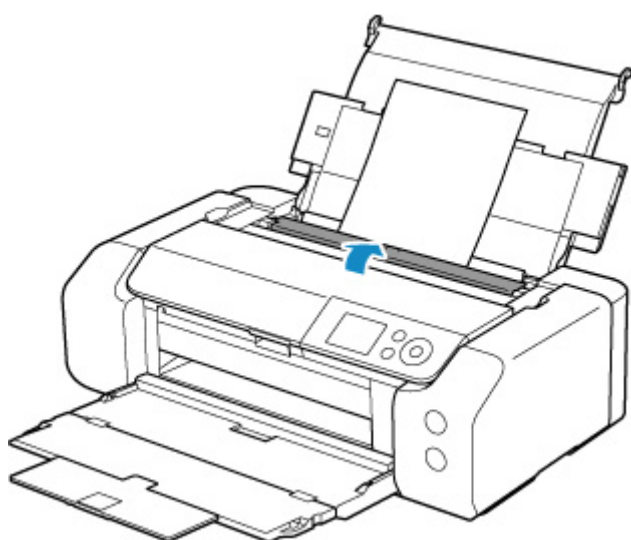
By registering the paper size and the media type loaded in the top feed or the manual feed tray, you can prevent the printer from misprinting by displaying the message before printing starts when the paper size or the media type of the loaded paper differs from the paper settings.

▶▶▶ Note

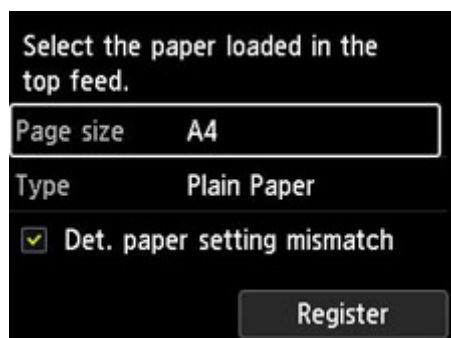
- The default setting for displaying the message which prevents misprinting varies depending on the printing method.

➔ [Default Setting for Displaying the Message which Prevents Misprinting](#)

When you load paper in the top feed and close the feed slot cover, or load paper in the manual feed tray:



The screen to register the paper information is displayed.



If the loaded paper matches the paper information displayed on the printer's LCD, select **Register** using the ▲▼ buttons and press the printer's **OK** button.

If it is different, select **Page size** or **Type** and press the printer's **OK** button. Then register the correct paper information.

▶▶▶ Important

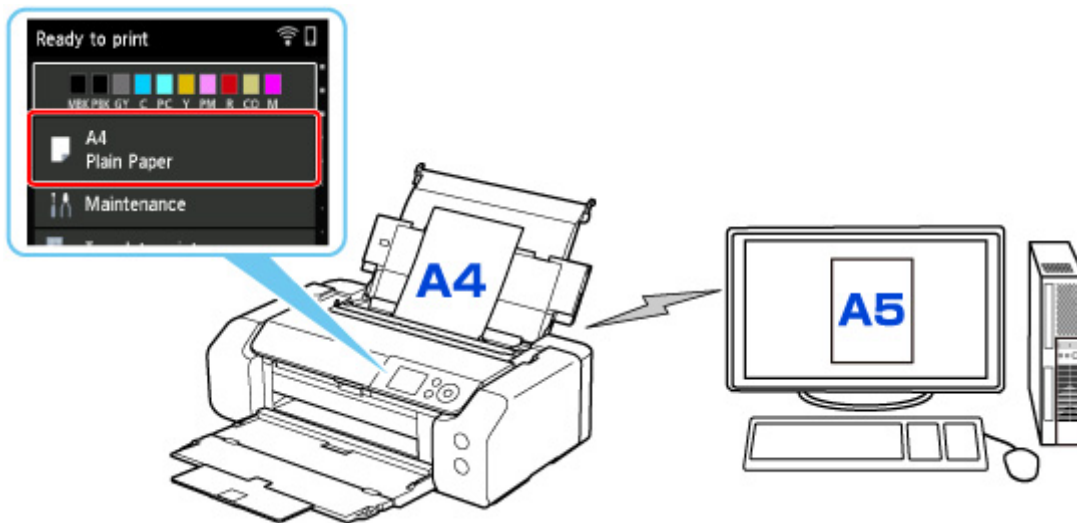
- For the appropriate combination of the paper settings specified in the printer driver and the paper information registered in the printer, refer to the following.

- ➔ [Paper Settings on the Printer Driver and the Printer \(Media Type\) \(Windows\)](#)
- ➔ [Paper Settings on the Printer Driver and the Printer \(Media Type\) \(macOS\)](#)
- ➔ [Paper Settings on the Printer Driver and the Printer \(Paper Size\) \(Windows\)](#)
- ➔ [Paper Settings on the Printer Driver and the Printer \(Paper Size\) \(macOS\)](#)

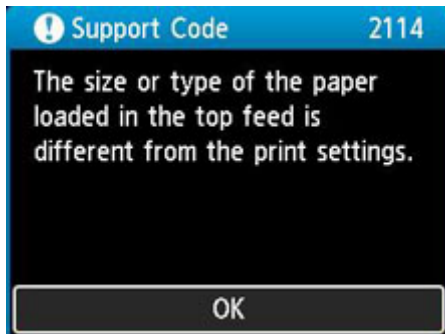
When the paper settings specified when printing differ from the paper information registered in the printer:

Ex:

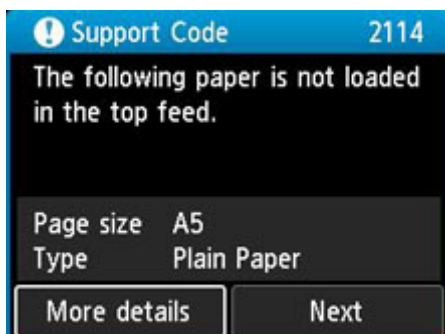
- Paper settings specified on the printer driver when printing: A5
- Paper information for the top feed registered in the printer: A4



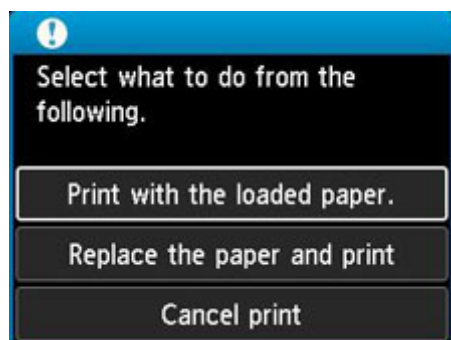
When you start printing, a message is displayed.



When you press the printer's **OK** button, the paper settings specified when printing are displayed on the LCD.



Select **Next** using the ◀▶ buttons and press the printer's **OK** button to display the screen below.



Select the appropriate action using the ▲▼ buttons and press the printer's **OK** button.

▶▶▶ Note

- Depending on the setting, the choices below may not be displayed.

Print with the loaded paper.

Select this option to print on the loaded paper with the paper settings specified when printing.

For example, when the paper size specified at printing is A5 and the paper information for the top feed is registered as A4, select this option to print on A4 paper loaded in the top feed with the A5 setting.

Replace the paper and print

Select this option to print after changing the paper in the top feed.

For example, when the paper size specified at printing is A5 and the paper information for the top feed is registered as A4, select this option to print after replacing the paper in the top feed with A5 paper.

After changing the paper and closing the feed slot cover, the paper information registration screen for the top feed appears. Register the paper information in the printer according to the loaded paper.

▶▶▶ Note

- If you do not know the paper size and paper type to be loaded in the top feed, press the printer's **Back** button. The paper size and paper type are displayed.
- For the appropriate combination of the paper settings specified in the printer driver and the paper information registered in the printer, refer to the following.
 - ➔ [Paper Settings on the Printer Driver and the Printer \(Media Type\)](#) (Windows)
 - ➔ Paper Settings on the Printer Driver and the Printer (Media Type) (macOS)
 - ➔ [Paper Settings on the Printer Driver and the Printer \(Paper Size\)](#) (Windows)
 - ➔ Paper Settings on the Printer Driver and the Printer (Paper Size) (macOS)

Cancel print

Cancels printing.

Select this option when you want to change the paper settings specified at printing. Change the paper settings and retry printing.

Default Setting for Displaying the Message which Prevents Misprinting

- **When you print without using the printer driver (when printing from the printer's operation panel or smartphone/tablet):**

The message which prevents misprinting is enabled by default.

To change whether to display a misprint prevention message when printing without using the printer driver:

➔ [Paper-related settings](#)

- **When you print using the printer driver:**

The message which prevents misprinting is disabled by default.

To change whether to display a misprint prevention message when printing using the printer driver:

➔ [Changing the Printer Operation Mode](#) (Windows)

➔ [Changing the Printer Operation Mode](#) (macOS)

▶▶ Important

- When the message which prevents misprinting is disabled:

The printer starts printing even though the paper settings for printing and the paper information registered to the printer are different.

Placing Multi-purpose Tray

- ▶ **Cautions When Printing with Multi-purpose Tray**
- ▶ **Placing a Printable Disc**
- ▶ **Placing Printable Nail Stickers**

Cautions When Printing with Multi-purpose Tray

Cautions Common to using Multi-purpose Tray

- Be sure to use the multi-purpose tray supplied with this printer.
- Do not mount the multi-purpose tray while the printer is in operation.
- Do not remove the multi-purpose tray while the printer is in operation. Doing so may damage the printer, the multi-purpose tray, or the media.
- Do not get dirt on the multi-purpose tray or scratches on the reflectors. The printer may not be able to recognize that a media is loaded, or printing may become misaligned. If the multi-purpose tray becomes dirty, wipe the reflector clean with a soft and dry cloth, taking care not to scratch it.
- After printing, allow the printing surface of the media to dry naturally. Do not use hairdryers or expose the media to direct sunlight to dry the ink. Do not touch the printing surface until the ink has dried.

Cautions When Printing onto Printable Disc

- Remove any dirt from the multi-purpose tray before placing printable discs on it. Loading discs on a dirty multi-purpose tray may scratch the recording surface of the discs.
- Do not print onto printable discs that are not compatible with inkjet printing. The ink will not dry and may cause problems with the disc itself or DVD players or other devices it is loaded into.
- Do not print onto a printable disc's recording surface. Doing so will make data recorded onto discs unreadable.
- Hold printable discs by their edges. Do not touch either the label surface (printing surface) or recording surface.
- The multi-purpose tray may become dirty if software other than Easy-PhotoPrint Editor is used.

Cautions When Printing on Printable Nail Stickers

- For precautions on Printable Nail Stickers, refer to the instructions supplied with the Printable Nail Stickers.
- The multi-purpose tray may become dirty if an application other than Nail Stickers Creator is used.

Placing a Printable Disc

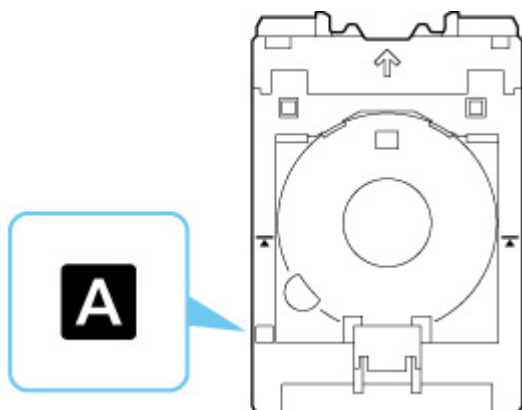
- ▶ **Before Placing a Printable Disc**
- ▶ **Placing a Printable Disc**
- ▶ **Removing a Printable Disc**

Before Placing a Printable Disc

A printable disc differs from regular disc (BD/DVD/CD, etc.) in that its label surface has been specially processed or printing by an inkjet printer.

The following items are needed to print onto the printable disc.

- Multi-purpose tray (supplied with the printer)



* Use the multi-purpose tray with "A" on the surface.

- 4.72 in. (12 cm) printable disc



Obtain a printable disc with a label surface compatible with inkjet printing.

Placing a Printable Disc

To print onto a printable disc, place it on the supplied multi-purpose tray, and then insert it into the printer.

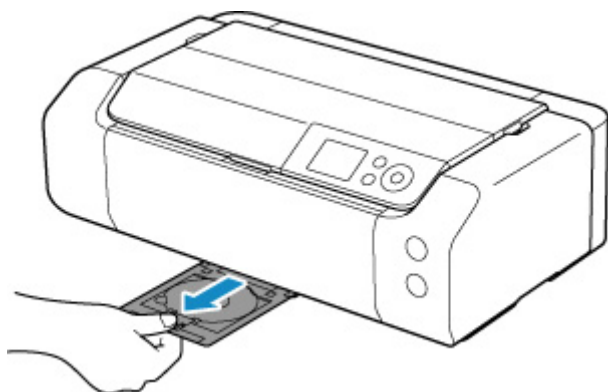
▶▶▶ Important

- Do not mount the multi-purpose tray until the message prompting you to load the printable disc appears. Doing so can damage the printer.
- Remove any paper in the manual feed tray.

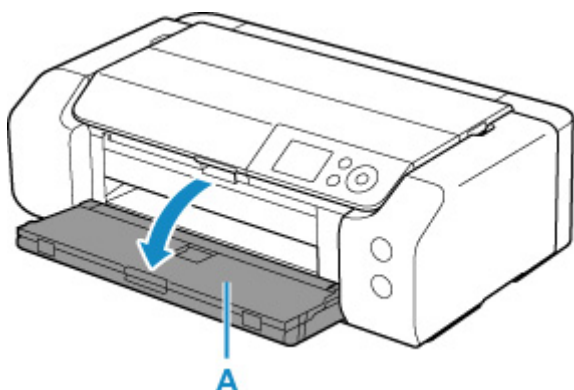
▶▶▶ Note

- If test printing is executed onto test printing paper, depending on the paper type, the printer may not be able to read its size correctly, preventing the border areas from being printed. Test printing paper should be used for purposes of checking the envisioned layout.

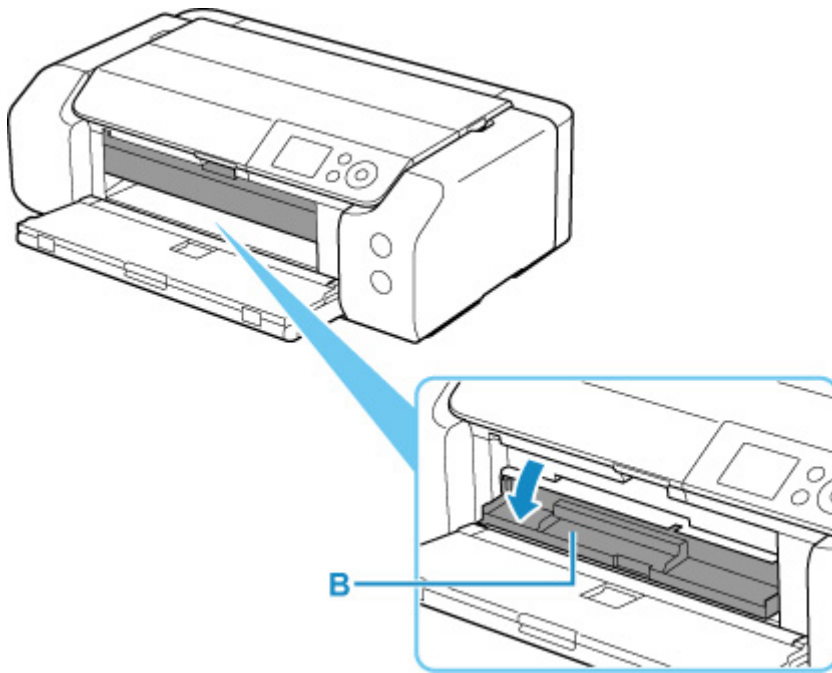
1. Take out multi-purpose tray from multi-purpose tray storage compartment.



2. Open the paper output tray (A) gently.



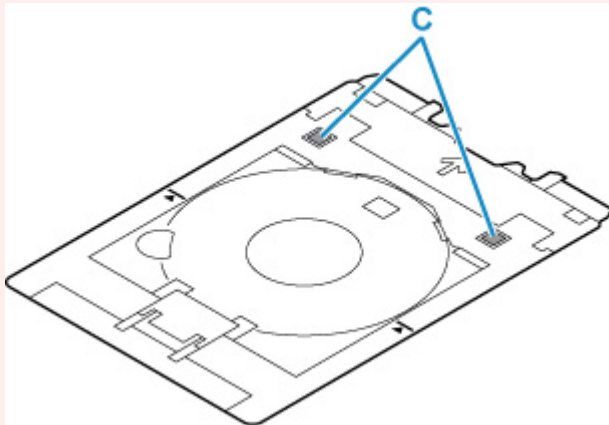
3. When message prompting you to load printable disc appears, open the multi-purpose tray guide (B).



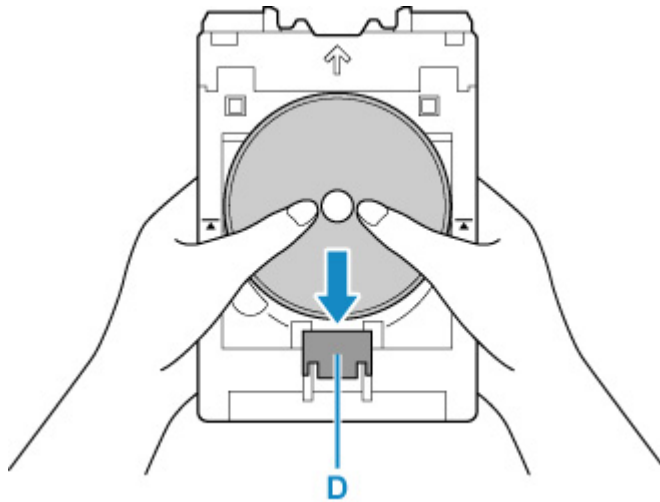
4. Place printable disc on multi-purpose tray.

»» Important

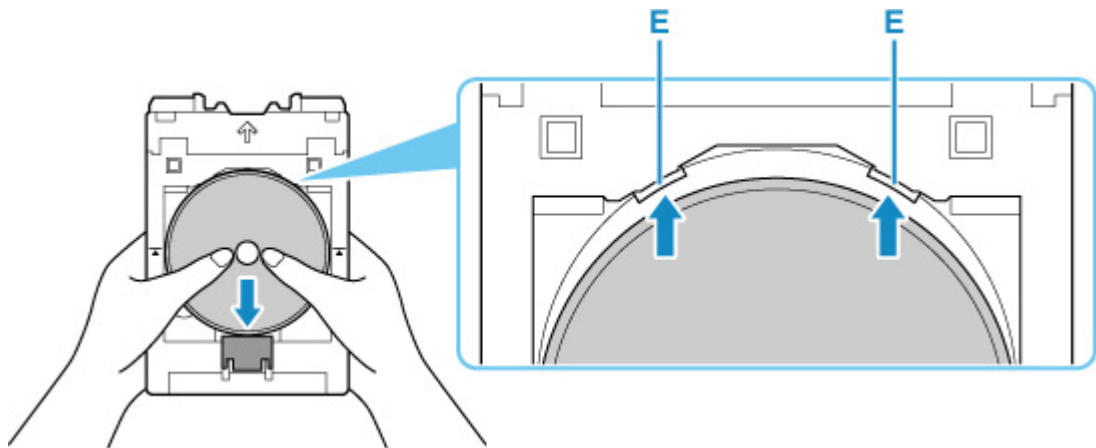
- Check that there is no dirt on the multi-purpose tray before placing a printable disc on it.
- When placing a printable disc on the multi-purpose tray, do not touch the printing surface of the disc or the reflectors (C) on the multi-purpose tray.



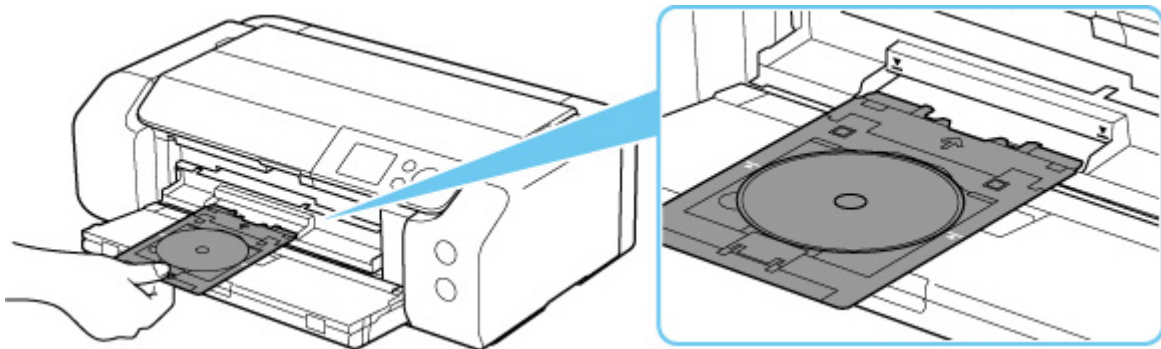
1. WITH PRINT SIDE FACING UP, place printable disc, and press it against lock (D) at bottom.



2. While pressing down lock with printable disc, insert top of printable disc into slits (E).



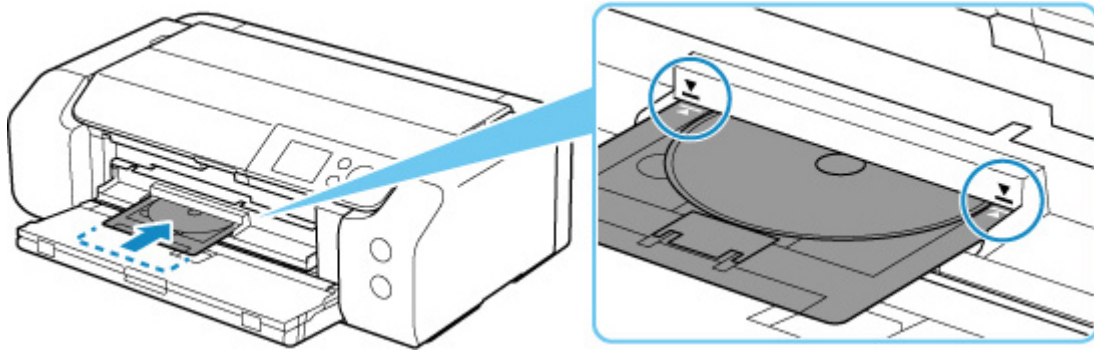
5. Place multi-purpose tray on multi-purpose tray guide.



6. Insert multi-purpose tray straight in in horizontal direction until arrow (▼) on multi-purpose tray guide is approximately aligned with arrow (▲) on multi-purpose tray.

▶▶▶ Important

- Do not insert the multi-purpose tray beyond the arrow (▼) on the multi-purpose tray guide.

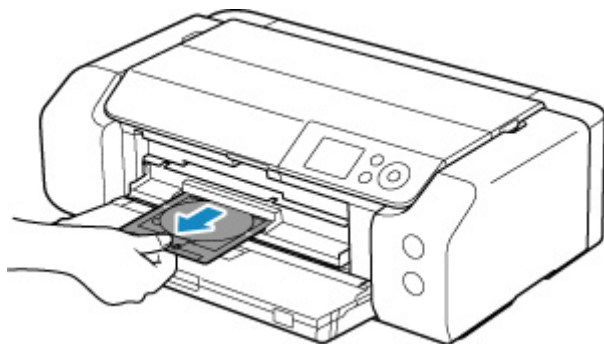


»» Note

- The multi-purpose tray may be ejected after a certain amount of time passes. In such a case, follow the on-screen instructions to place the multi-purpose tray again.

Removing a Printable Disc

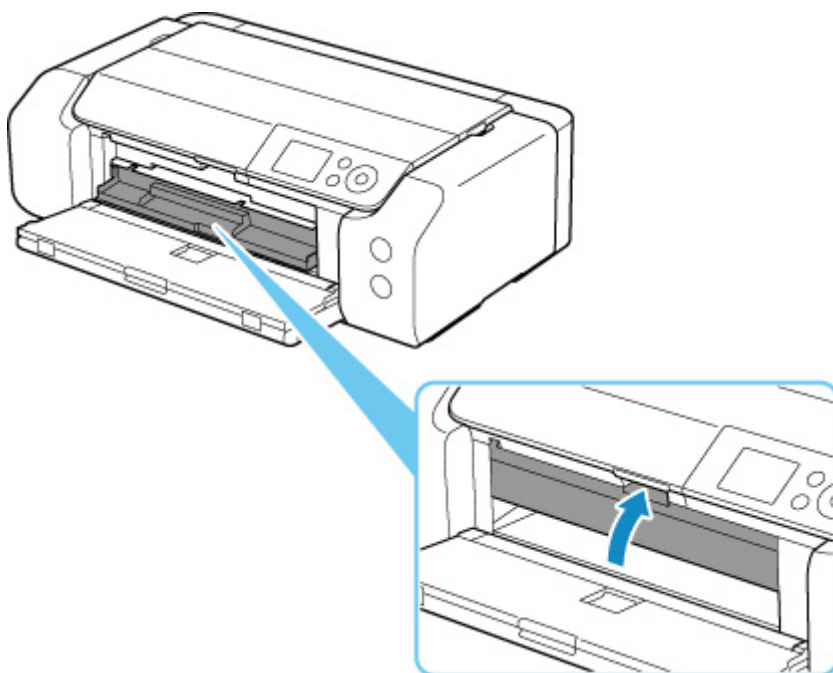
1. Pull out multi-purpose tray.



2. Close the multi-purpose tray guide.

►► Important

- If the multi-purpose tray guide is opened, you cannot print on paper as it will not feed properly. Make sure that the multi-purpose tray guide is closed.



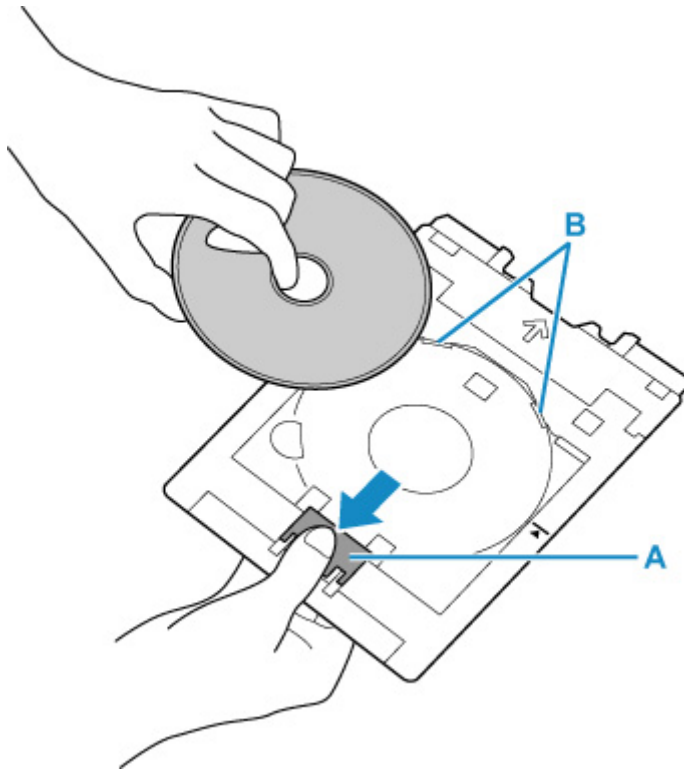
3. While pressing down lock (A), take out printable disc from slits (B) on multi-purpose tray, and remove it.

►► Important

- Do not touch the printing surface when removing the disc from the multi-purpose tray.

▶▶▶ Note

- Allow the printing surface to dry before removing the disc. If you see printing on the multi-purpose tray or on the transparent parts of the inner or outer diameters of the printable disc, wipe them clean after the printing surface has dried.



4. Insert multi-purpose tray straight into multi-purpose tray storage compartment.

When not using the multi-purpose tray, store it in the multi-purpose tray storage compartment.

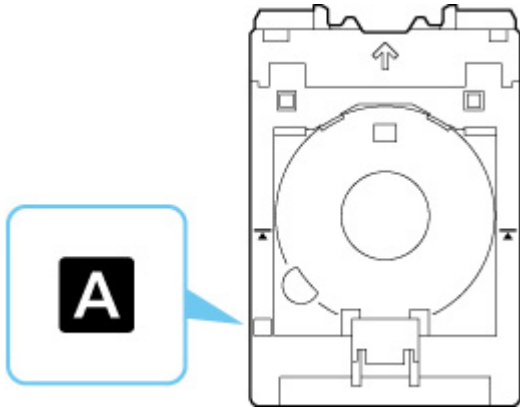
Placing Printable Nail Stickers

- **Before Placing Printable Nail Stickers**
- **Placing Printable Nail Stickers**
- **Removing Printable Nail Stickers**

Before Placing Printable Nail Stickers

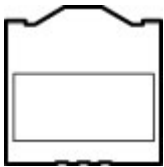
The following items are needed to print onto Printable Nail Stickers.

- Multi-purpose tray (supplied with the printer)



* Use the multi-purpose tray with "A" on the surface.

- Printable Nail Stickers (NL-101)



►► Note

- For the latest information on Printable Nail Stickers, access our website.

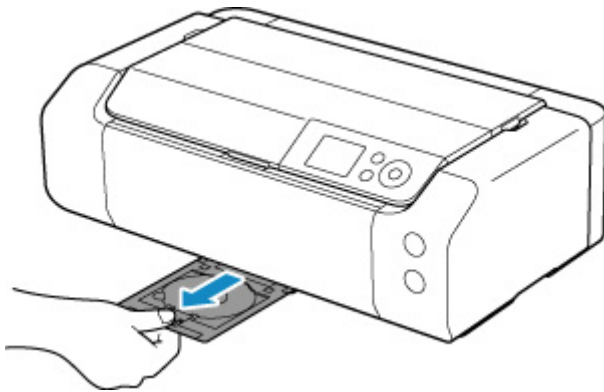
Placing Printable Nail Stickers

To print onto Printable Nail Stickers, place them on the multi-purpose tray supplied with the printer, and then insert them into the printer.

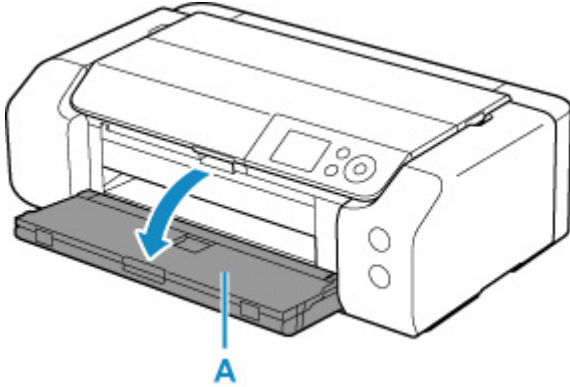
»» Important

- Do not mount the multi-purpose tray until the message prompting you to load Printable Nail Stickers appears. Doing so can damage the printer.

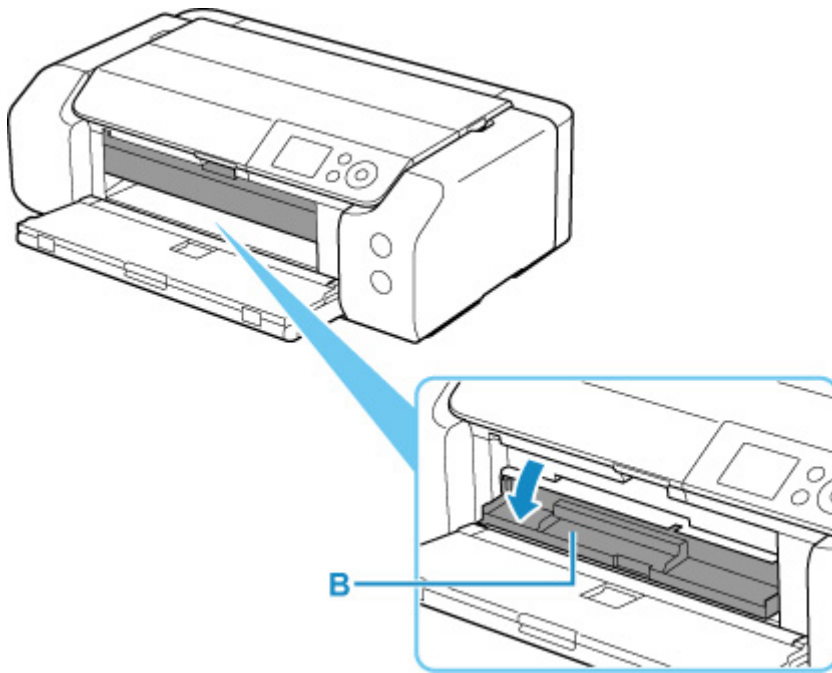
1. Take out multi-purpose tray from multi-purpose tray storage compartment.



2. Open the paper output tray (A) gently.



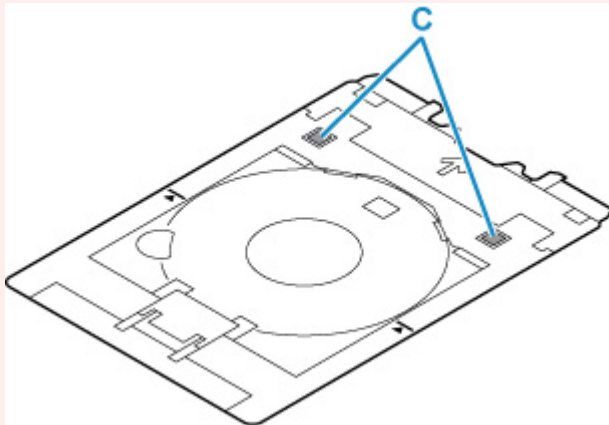
3. When message prompting you to load Printable Nail Stickers appears, open the multi-purpose tray guide (B).



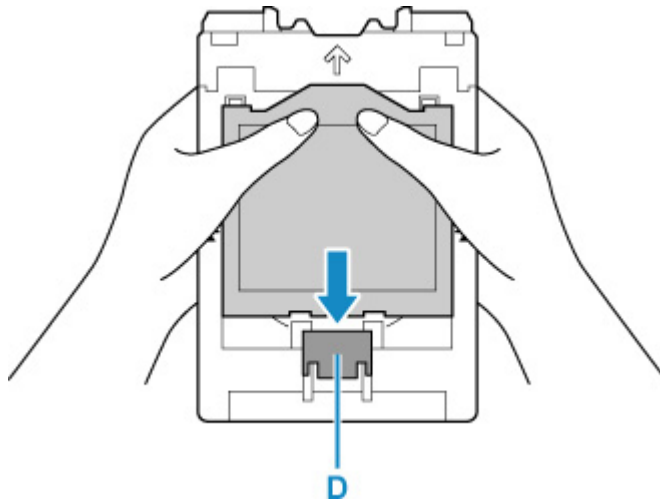
4. Place Printable Nail Stickers on multi-purpose tray.

»» Important

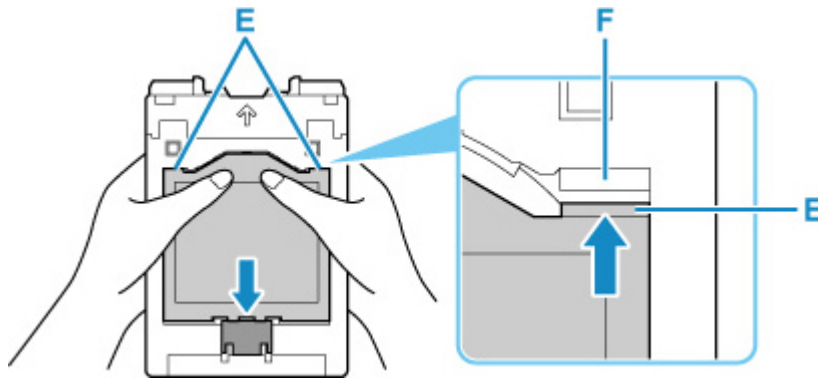
- Check that there is no dirt on the multi-purpose tray before placing Printable Nail Stickers on it.
- To prevent getting dirt or fingerprints on Printable Nail Stickers, hold the stickers by their edges. If the print side gets any dirt or is damaged, it may cause poor print quality.
- When placing Printable Nail Stickers on the multi-purpose tray, do not touch the reflectors (C) on the multi-purpose tray.



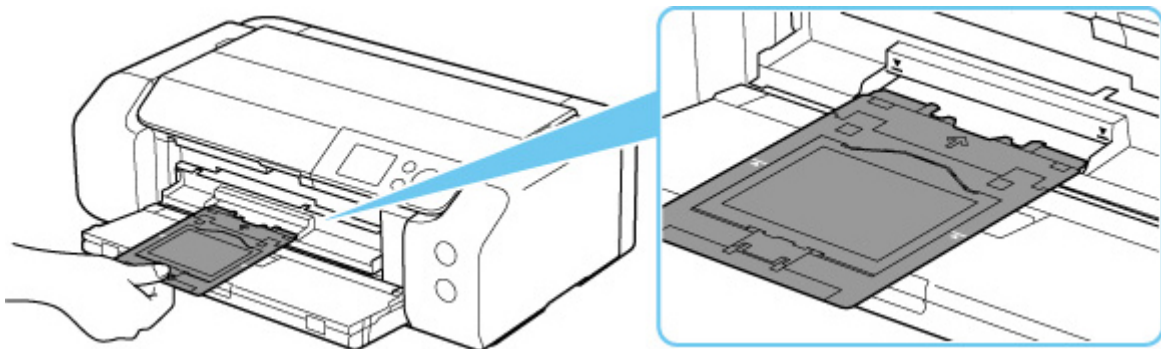
1. WITH PRINT SIDE FACING UP, place Printable Nail Stickers and press it against lock (D) at bottom.



2. While pressing down lock with Printable Nail Stickers, insert two tabs (E) on top into slits (F) on multi-purpose tray.



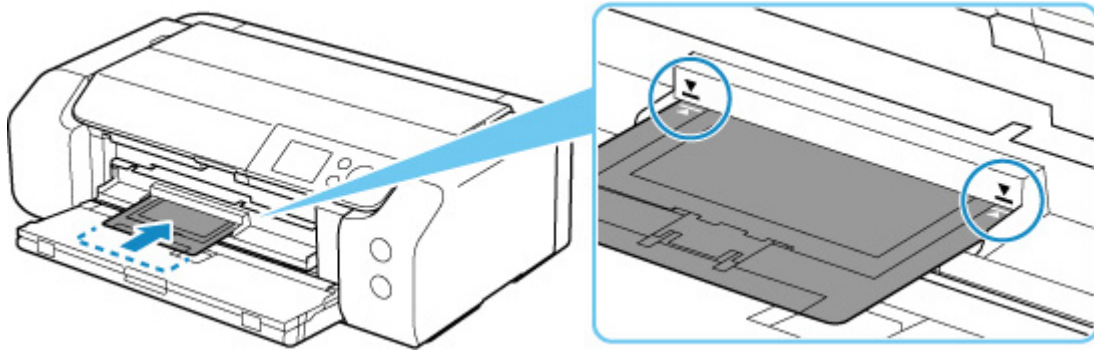
5. Place multi-purpose tray on multi-purpose tray guide.



6. Insert multi-purpose tray straight in in horizontal direction until arrow (▼) on multi-purpose tray guide is approximately aligned with arrow (▲) on multi-purpose tray.

▶▶▶ Important

- Do not insert the multi-purpose tray beyond the arrow (▼) on the multi-purpose tray guide.

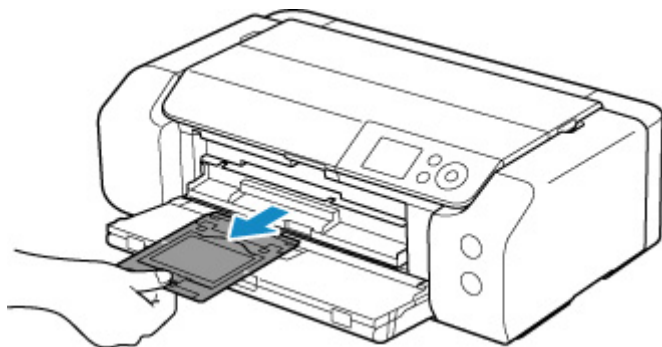


»» Note

- The multi-purpose tray may be ejected after a certain amount of time passes. In such a case, follow the on-screen instructions to place the multi-purpose tray again.

Removing Printable Nail Stickers

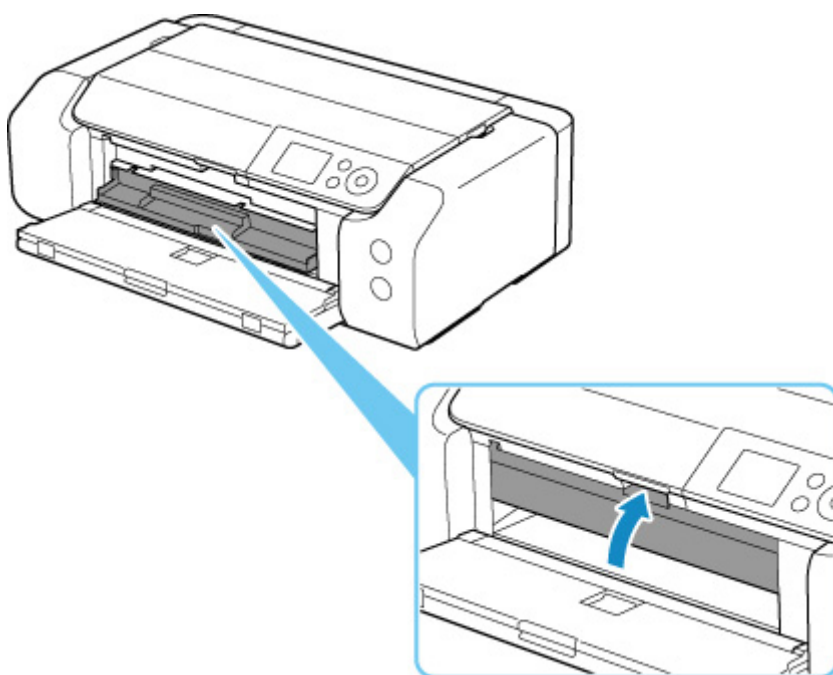
1. Pull out multi-purpose tray.



2. Close the multi-purpose tray guide.

»» Important

- If the multi-purpose tray guide is opened, you cannot print on paper as it will not feed properly. Make sure that the multi-purpose tray guide is closed.



3. Remove Printable Nail Stickers.

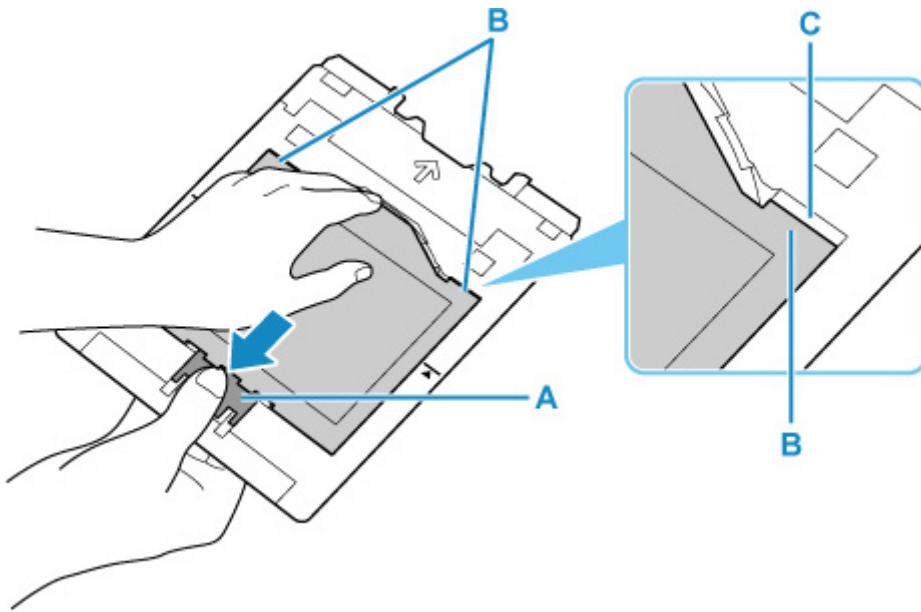
While pressing down lock (A), remove two tabs (B) on the top out of slits (C).

»» Important

- Do not touch the printing surface when removing Printable Nail Stickers.

»»» Note

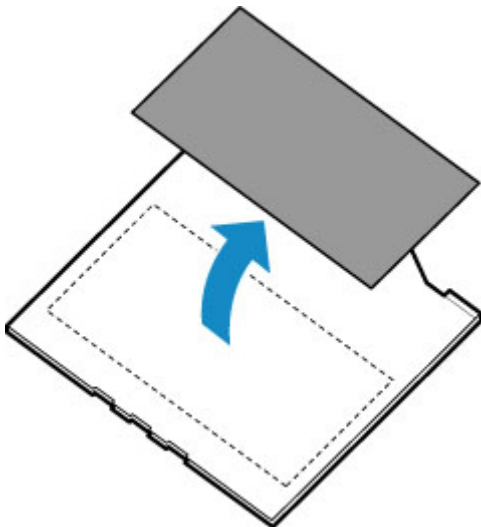
- Allow the printing surface to dry before removing Printable Nail Stickers. If you see printing on the multi-purpose tray or outside the Printable Nail Stickers, wipe them clean after the printing surface has dried.



4. Peel a sheet of Printable Nail Stickers from adapter.

»»» Important

- Allow the printing surface to dry before tearing off Printable Nail Stickers from its edges.



5. Insert multi-purpose tray straight into multi-purpose tray storage compartment.

When not using the multi-purpose tray, insert it in the multi-purpose tray storage compartment.

Network

Available Connection Methods


The following connection methods are available on the printer.

• Wireless Connection

Connect the printer and devices (e.g. computer/smartphone/tablet) using a wireless router.

If you have a wireless router, we recommend you use one for wireless connection.



- Connection methods vary depending on the wireless router type.
- You can change network settings such as the network name (SSID) and security protocol on the printer.
- When the connection between a device and a wireless router is completed and  (Wi-Fi icon) is displayed in the device's screen, you can connect the device to the printer using the wireless router.

• Wireless Direct

Connect the printer and devices (e.g. computer/smartphone/tablet) without using a wireless router.



- While you are using the printer with Wireless Direct, Internet connection from the printer becomes unavailable. In that case, web services for the printer cannot be used.
- If you connect a device connected to the Internet via a wireless router to the printer that is in the Wireless Direct, the connection between the device and wireless router will be disabled. In that case, the connection of the device may switch to a mobile data connection automatically depending on your device. Transmission fees for connecting to the Internet using a mobile data connection apply.
- In the Wireless Direct, you can connect up to five devices at the same time. If you try to connect a sixth device while five devices are already connected, an error will appear. If an error appears, disconnect a device you do not use and configure settings again.
- Network settings such as the network name (SSID) and security protocol are specified automatically.

• Wired Connection

Connect the printer and hub/router using a LAN cable. Prepare a LAN cable.



►► Note

- You can connect the printer and computer using a USB cable (USB connection). Prepare a USB cable. For details, see [Connects to Another Computer via LAN/Changes from USB to LAN Connection](#).

Network Connection Settings/Setup

Perform connection setup for the printer and computer/smartphone/tablet.

For more on setup procedure, click here.

Changing Network Settings

See below for changing connection settings for the printer and computer/smartphone/tablet.

- To change network connection method:
 - ➔ [Reconfiguration Method of LAN Connection/Reconfiguration Method of Wi-Fi Connection](#)
 - ➔ Changing the Connection Mode
- To add computer/smartphone/tablet to the printer:
 - ➔ [Connects to Another Computer via LAN/Changes from USB to LAN Connection](#)
- To use Wireless Direct temporarily:
 - ➔ [Connecting with Wireless Direct](#)

IJ Network Device Setup Utility

IJ Network Device Setup Utility checks or diagnoses the settings of the printer and those of computer and restores the status of them if anything is wrong with network connection. Select either link below to download IJ Network Device Setup Utility.

- ➔ Checking Printer Connection Status Using IJ Network Device Setup Utility

- Performing/Changing Network Settings (Windows)

For Windows, you can perform network settings using IJ Network Device Setup Utility.

- ➔ [IJ Network Device Setup Utility \(Windows\)](#)

- Diagnosing and Repairing Network Settings (Windows/macOS)

You can diagnose or repair network settings using IJ Network Device Setup Utility.

- **For Windows:**

- ➔ [IJ Network Device Setup Utility \(Windows\)](#)

- **For macOS:**

- ➔ IJ Network Device Setup Utility (macOS)

Network Connection Tips

See below for tips on using the printer via network connection.

- ➔ [Network Connection Tips](#)
- ➔ [Changing Printer's Setting Using Web Browser](#)
- ➔ Countermeasures against Unauthorized Access

Troubleshooting

See [Network Settings and Common Problems](#) for troubleshooting on network connection.

Notice/Restriction

See below for details.

- Restrictions on network settings:
 - ➔ [Restrictions](#)
- Notices when printing using web service:
 - ➔ Notice for Web Service Printing

Restrictions

When connecting another device while a device (such as a computer) is already connected to the printer, connect it using the same connection method as the connected device.

If you connect using a different connection method, the connection to the device in use will be disabled.

Connection Using a Wired Network cannot be performed on printers that do not support a wired connection.

Connect via wireless router

- You cannot establish a printer with wireless and wired connections at the same time.
- Make sure your device and the wireless router are connected. For details on checking these settings, see the manual supplied with the wireless router or contact its manufacturer.
As for a device already connected to the printer without using a wireless router, reconnect it via a wireless router.
- Configuration, router functions, setup procedures and security settings of wireless routers vary depending on the system environment. For details, see the manual for your wireless router or contact its manufacturer.
- This printer does not support IEEE802.11ac. IEEE802.11a and IEEE802.11n (5 GHz) may not be supported depending on the country or region you live in. Check if your device supports IEEE802.11n, IEEE802.11g, IEEE802.11b or IEEE802.11a.
- If your device is set to the "IEEE802.11n only" mode, WEP or TKIP cannot be used as a security protocol. Change the security protocol for your device to something other than WEP and TKIP or change the setting to something other than "IEEE802.11n only."
The connection between your device and the wireless router will be temporarily disabled while the setting is changed. Do not proceed to the next screen of this guide until setup is complete.
- When connecting to Wi-Fi outdoors, do not connect to a 5 GHz network (SSID).
The 5 GHz band available for use with the printer includes the channels that are allowed for indoor use only, depending on your country or region.
For details on the 5 GHz network (SSID) of your wireless router, see the manual supplied with the wireless router, or contact its manufacturer.
- For office use, consult your network administrator.
- Note that if you connect to a network with no security protection, your personal information could be disclosed to a third party.

Wireless Direct

▶▶ Important

- If a device is connected to the Internet via a wireless router, and you then connect it to a printer in Wireless Direct mode, the existing connection between the device and wireless router will be disabled. In that case, the connection of the device may switch to a mobile data connection automatically depending on your device. When you connect to the Internet using a mobile data connection, charges may apply depending on your contract.
 - When you connect a device and the printer using Wireless Direct, the connection information will be saved to Wi-Fi settings. The device may be connected to the printer automatically even after disconnecting it or connecting it to another wireless router.

- To prevent automatic connection to the printer in Wireless Direct mode, change the connection mode after using the printer, or set not to connect automatically in the Wi-Fi settings of the device.

For details on changing the settings of your device, see the manual supplied with the device or contact its manufacturer.

- If you connect a device and the printer using Wireless Direct, Internet connection may become unavailable depending on your environment. In that case, web services for the printer cannot be used.
- In Wireless Direct mode, you can connect up to five devices at the same time. If you try to connect a sixth device while five devices are already connected, an error will appear.
If an error appears, disconnect a device that does not use the printer, and then redo the settings.
- Devices connected to the printer using Wireless Direct cannot communicate with each other.
- Firmware updates for the printer are not available while using Wireless Direct.
- When a device has been connected to the printer without using a wireless router and you want to set it up again using the same connection method, disconnect it first. Disable the connection between the device and printer in the Wi-Fi setting screen.

Connection Using a Wired Network

- You cannot establish a printer with wireless and wired connections at the same time.
- When using a router, connect the printer and computer to the LAN side (same network segment).

Network Connection Tips

- **Default Network Settings**
- **Detect Same Printer Name**
- **Connects to Another Computer via LAN/Changes from USB to LAN Connection**
- **Printing Network Settings**
- **Reconfiguration Method of LAN Connection/Reconfiguration Method of Wi-Fi Connection**
- **Connecting with Wireless Direct**

Default Network Settings

LAN Connection Defaults

Item	Default
Change wireless/wired LAN	Wired LAN
Network name (SSID)	BJNPSETUP
Wi-Fi security	Disable
IP address (IPv4)	Auto setup
IP address (IPv6)	Auto setup
Set printer name*	XXXXXXXXXXXX
Enable/disable IPv6	Enable
Enable/disable WSD	Enable
Timeout setting	15 minutes
Enable/disable Bonjour	Enable
Service name	Canon PRO-300 series
LPR protocol settings	Enable
RAW protocol	Enable
LLMNR	Enable
PictBridge communication	Enable
Wired LAN DRX settings	Enable

("XX" represents alphanumeric characters.)

* Default value depends on printer. To check value, use operation panel.

➔ [LAN settings](#)

Wireless Direct Defaults

Item	Default
Network name (SSID)	DIRECT-abXX-PRO-300series *1
Password	YYYYYYYYYY *2
Wi-Fi security	WPA2-PSK (AES)
Connection request confirmation	Displayed

*1 "ab" is specified at random and "XX" represents last two digits of printer's MAC address. (The value is specified when the printer is turned on for the first time.)

*2 The password is specified automatically when the printer is turned on for the first time.

Detect Same Printer Name

When the printer is detected during setup, plural printers with the same name may appear on the results screen.

Select a printer with checking the printer settings against those on detection result screen.

- **For Windows:**

Check the printer's MAC address or serial to select the correct printer from the results.

- **For macOS:**

The printer names appear with the MAC address added at the end or as the printer name specified by Bonjour.

Check identifiers such as the MAC address, the printer name specified by Bonjour, and the printer's serial number to select the printer from among those that appear.

▶▶▶ Note

- Serial number may not appear on result screen.

To check the printer's MAC address and the serial number, print out the network settings information.

➡ [Printing Network Settings](#)

▶▶▶ Note

- You can check the serial number by displaying on the LCD.

➡ [Printer information](#)

Connects to Another Computer via LAN/Changes from USB to LAN Connection

To connect an additional computer to the printer via LAN, or to change from USB to LAN connection, click [here](#) and perform setup.

Printing Network Settings

Use the operation panel to print the printer's current network settings.

»» Important

- The network settings printout contains important information about your network. Handle it with care.

1. Check that printer is turned on and display the Home screen.
If the HOME screen is not displayed, press the **HOME** button.
2. [Load three sheets of A4 or Letter-sized plain paper.](#)
3. Select **LAN settings** on the Home screen and press the **OK** button.
4. Select **Print details** and press the **OK** button.
5. Check message, select **Yes** and press the **OK** button.
6. When the confirmation screen for printing passwords appears, select **Yes** or **No** and press the **OK** button.

The printer starts printing the network setting information.

The following information on the printer's network setting is printed out. (Some setting values are not displayed depending on the printer settings.)

Item Number	Item	Description	Setting
1	Product Information	Product information	–
1-1	Product Name	Product name	XXXXXXXX
1-2	ROM Version	ROM version	XXXXXXXX
1-3	Serial Number	Serial number	XXXXXXXX
2	Network Diagnostics	Network diagnostics	–
2-1	Diagnostic Result	Diagnostic result	XXXXXXXX
2-2	Result Codes	Result codes	XXXXXXXX
2-3	Result Code Details	Result code details	http://canon.com/ijnwt
3	Wireless LAN	Wireless LAN	Enable/Disable
3-2	Infrastructure	Infrastructure	Enable/Disable
3-2-1	Signal Strength	Signal strength	0 to 100 [%]

3-2-2	Link Quality	Link quality	0 to 100 [%]
3-2-3	Frequency	Frequency	XX (GHz)
3-2-4	MAC Address	MAC address	XX:XX:XX:XX:XX:XX
3-2-5	Connection	Connection status	Active/Inactive
3-2-6	SSID	SSID	Wireless LAN network name (SSID)
3-2-7	Channel	Channel	XXX (1 to 13, 36, 40, 44, 48, 52, 56, 60, 64, 100, 104, 108, 112, 116, 120, 124, 128, 132, 136, 140, 149, 153, 157, 161, 165)
3-2-8	Encryption	Encryption method	None/WEP/TKIP/AES
3-2-9	WEP Key Length	WEP key length (bits)	Inactive/128/64
3-2-10	Authentication	Authentication method	None/auto/open/shared/WPA-PSK/WPA2-PSK
3-2-11	TCP/IPv4	TCP/IPv4	Enable
3-2-12	IP Address	IP address	XXX.XXX.XXX.XXX
3-2-13	Subnet Mask	Subnet mask	XXX.XXX.XXX.XXX
3-2-14	Default Gateway	Default gateway	XXX.XXX.XXX.XXX
3-2-15	TCP/IPv6	TCP/IPv6	Enable/Disable
3-2-16	Link Local Address	Link local address	XXXX:XXXX:XXXX:XXXX XXXX:XXXX:XXXX:XXXX
3-2-17	Link Local Prefix Length	Link local prefix length	XXX
3-2-18	Stateless Address1	Stateless address 1	XXXX:XXXX:XXXX:XXXX XXXX:XXXX:XXXX:XXXX
3-2-19	Stateless Prefix Length1	Stateless prefix length 1	XXX
3-2-20	Stateless Address2	Stateless address 2	XXXX:XXXX:XXXX:XXXX XXXX:XXXX:XXXX:XXXX
3-2-21	Stateless Prefix Length2	Stateless prefix length 2	XXX
3-2-22	Stateless Address3	Stateless address 3	XXXX:XXXX:XXXX:XXXX XXXX:XXXX:XXXX:XXXX
3-2-23	Stateless Prefix Length3	Stateless prefix length 3	XXX
3-2-24	Stateless Address4	Stateless address 4	XXXX:XXXX:XXXX:XXXX

			XXXX:XXXX:XXXX:XXXX
3-2-25	Stateless Prefix Length4	Stateless prefix length 4	XXX
3-2-26	Default Gateway1	Default gateway 1	XXXX:XXXX:XXXX:XXXX XXXX:XXXX:XXXX:XXXX
3-2-27	Default Gateway2	Default gateway 2	XXXX:XXXX:XXXX:XXXX XXXX:XXXX:XXXX:XXXX
3-2-28	Default Gateway3	Default gateway 3	XXXX:XXXX:XXXX:XXXX XXXX:XXXX:XXXX:XXXX
3-2-29	Default Gateway4	Default gateway 4	XXXX:XXXX:XXXX:XXXX XXXX:XXXX:XXXX:XXXX
3-2-30	Manual Setting	Manual Setting	Enable/Disable
3-2-31	IP Address	IP Address	XXXX:XXXX:XXXX:XXXX XXXX:XXXX:XXXX:XXXX
3-2-32	Subnet Prefix Length	Subnet Prefix Length	XXX
3-2-33	IPsec	IPsec setting	Active
3-2-34	Security Protocol	Security method	ESP/ESP & AH/AH
3-2-35	Wireless LAN DRX	Discontinuous reception (wireless LAN)	Enable/Disable
3-3	Wireless Direct	Operation mode for Wireless Direct	Enable/Disable
3-3-1	MAC Address	MAC address	XX:XX:XX:XX:XX:XX
3-3-2	Connection	Connection status	Active/Inactive
3-3-3	SSID	SSID	Wireless Direct network name (SSID)
3-3-4	Password	Password	Wireless Direct password (10 alphanumeric characters)
3-3-5	Channel	Channel	3
3-3-6	Encryption	Encryption method	AES
3-3-7	Authentication	Authentication method	WPA2-PSK
3-3-8	TCP/IPv4	TCP/IPv4	Enable
3-3-9	IP Address	IP address	XXX.XXX.XXX.XXX
3-3-10	Subnet Mask	Subnet mask	XXX.XXX.XXX.XXX
3-3-11	Default Gateway	Default gateway	XXX.XXX.XXX.XXX

3-3-12	TCP/IPv6	TCP/IPv6	Enable/Disable
3-3-13	Link Local Address	Link local address	XXXX:XXXX:XXXX:XXXX XXXX:XXXX:XXXX:XXXX
3-3-14	Link Local Prefix Length	Link local prefix length	XXX
3-3-15	IPsec	IPsec setting	Active
3-3-16	Security Protocol	Security method	–
3-3-17	Wireless LAN DRX	Discontinuous reception (wireless direct)	Enable/Disable
4	Wired LAN	Wired LAN	Enable/Disable
4-1	MAC Address	MAC Address	XX:XX:XX:XX:XX:XX
4-2	Connection	Connection	Active/Inactive
4-3	TCP/IPv4	Operation mode for TCP/IPv4	Enable
4-4	IP Address	IP Address	XXX.XXX.XXX.XXX
4-5	Subnet Mask	Subnet Mask	XXX.XXX.XXX.XXX
4-6	Default Gateway	Default Gateway	XXX.XXX.XXX.XXX
4-7	TCP/IPv6	Operation mode for TCP/IPv6	Enable/Disable
4-8	Link Local Address	Link Local Address	XXXX:XXXX:XXXX:XXXX XXXX:XXXX:XXXX:XXXX
4-9	Link Local Prefix Length	Link Local Prefix Length	XXX
4-10	Stateless Address1	Stateless Address1	XXXX:XXXX:XXXX:XXXX XXXX:XXXX:XXXX:XXXX
4-11	Stateless Prefix Length1	Stateless Prefix Length1	XXX
4-12	Stateless Address2	Stateless Address2	XXXX:XXXX:XXXX:XXXX XXXX:XXXX:XXXX:XXXX
4-13	Stateless Prefix Length2	Stateless Prefix Length2	XXX
4-14	Stateless Address3	Stateless Address3	XXXX:XXXX:XXXX:XXXX XXXX:XXXX:XXXX:XXXX

4-15	Stateless Prefix Length3	Stateless Prefix Length3	XXX
4-16	Stateless Address4	Stateless Address4	XXXX:XXXX:XXXX:XXXX XXXX:XXXX:XXXX:XXXX
4-17	Stateless Prefix Length4	Stateless Prefix Length4	XXX
4-18	Default Gateway1	Default Gateway1	XXXX:XXXX:XXXX:XXXX XXXX:XXXX:XXXX:XXXX
4-19	Default Gateway2	Default Gateway2	XXXX:XXXX:XXXX:XXXX XXXX:XXXX:XXXX:XXXX
4-20	Default Gateway3	Default Gateway3	XXXX:XXXX:XXXX:XXXX XXXX:XXXX:XXXX:XXXX
4-21	Default Gateway4	Default Gateway4	XXXX:XXXX:XXXX:XXXX XXXX:XXXX:XXXX:XXXX
4-22	Manual Setting	Manual Setting	Enable/Disable
4-23	IP Address	IP Address	XXXX:XXXX:XXXX:XXXX XXXX:XXXX:XXXX:XXXX
4-24	Subnet Prefix Length	Subnet Prefix Length	XXX
4-25	IPsec	IPsec	Active
4-26	Security Protocol	Security Protocol	ESP/ESP & AH/AH
4-27	Wired LAN DRX	Wired LAN DRX	Enable/Disable
5	Other Settings	Other settings	–
5-1	Printer Name	Printer name	Printer name (Up to 15 alphanumeric characters)
5-2	Wireless Direct Dev-Name	Device name for wireless direct	Device name for wireless direct (Up to 32 alphanumeric characters)
5-4	WSD Printing	WSD printing setting	Enable/Disable
5-5	WSD Timeout	Timeout	1/5/10/15/20 [min]
5-6	LPD Printing	LPD printing setting	Enable/Disable
5-7	RAW Printing	RAW printing setting	Enable/Disable
5-9	Bonjour	Bonjour setting	Enable/Disable
5-10	Bonjour Service Name	Bonjour service name	Bonjour service name (Up to 52 alphanumeric characters)
5-11	LLMNR	LLMNR setting	Enable/Disable

5-12	SNMP	SNMP setting	Enable/Disable
5-13	PictBridge Commun.	PictBridge Communication	Enable/Disable
5-14	DNS Server	Obtain DNS server address automatically	Auto/Manual
5-15	Primary Server	Primary server address	XXX.XXX.XXX.XXX
5-16	Secondary Server	Secondary server address	XXX.XXX.XXX.XXX
5-17	Proxy Server	Proxy server setting	Enable/Disable
5-18	Proxy Address	Proxy address	XXXXXXXXXXXXXXXXXXXX
5-19	Proxy Port	Proxy port specification	1 to 65535
5-20	Cert. Fingerprt(SHA-1)	Certificate fingerprint(SHA-1)	xxxxxxx xxxxxxxx xxxxxxxx xxxxxxx xxxxxxxx
5-21	Cert. Fingerprt(SHA-256)	Certificate fingerprint(SHA-256)	xxxxxxx xxxxxxxx xxxxxxxx xxxxxxxx xxxxxxx xxxxxxxx xxxxxxxx xxxxxxxx
7	Web Services	Web Services	–
7-1	Unsent Usage Logs	Number of unsent usage logs	0 to 200
7-2	Usage Log Last Sent	Last date when usage log was sent	XXXXXXXX
7-3	Web Service Status	Registration status	Not set/Disabled/Registration pending/Registered
7-4	Log Transmission Status	Transmission result	Not activated/Processing/Server error/Connection error/Timeout error/Error/Awaiting server response/Active

("XX" represents alphanumeric characters.)

Reconfiguration Method of LAN Connection/Reconfiguration Method of Wi-Fi Connection

- ➔ [Reconfiguration Method of LAN Connection](#)
- ➔ [Reconfiguration Method of Wi-Fi Connection](#)

Reconfiguration Method of LAN Connection

Follow either procedure below to change LAN connection method (wired or wireless).

- **For Windows:**

- Redo setup from the web page.
- Select **Enable** for **Enable/disable Wired LAN** or **Enable/disable Wi-Fi** from **LAN settings** in the LCD menu.

After that, perform settings on the **Network Settings** screen on IJ Network Device Setup Utility.

For details, refer to [Performing/Changing Wi-Fi Settings](#) or [Performing/Changing Wired LAN Connection \(Ethernet Cable\) Settings](#).

- **For macOS:**

Redo setup from the web page.

Reconfiguration Method of Wi-Fi Connection

Follow either procedure below to change Wi-Fi connection method (infrastructure or wireless direct).

- **For Windows:**

- Refer to Changing the Connection Mode.
- Perform settings on the **Network Settings** screen on IJ Network Device Setup Utility.

➤➤➤ Important

- Before you perform settings using IJ Network Device Setup Utility, change the printer settings following the procedure below.

1. Check that printer is turned on.
2. Select **LAN settings** on HOME screen and press the **OK** button.
If you specify the administrator password, enter the password.
3. Select **Wi-Fi** and press the **OK** button.
4. Select **Settings** and press the **OK** button.
5. Select **Wi-Fi setup** and press the **OK** button.

6. Select **Easy wireless connect** and press the **OK** button.

7. Check message and press the **OK** button.

Follow instructions on your computer, smartphone or tablet.

8. If message saying setup is completed appears, press the **OK** button.

• **For macOS:**

Refer to Changing the Connection Mode.

Connecting with Wireless Direct

You can connect devices (e.g. computer, smartphone, or tablet) to the printer by two methods below.

- Wireless connection (connecting devices via a wireless router)
- Direct wireless connection (connecting devices using Wireless Direct)

This section describes Wireless Direct, which allows you to print by connecting the devices to the printer directly.

Follow the procedure below to set up and use Wireless Direct.

1. Preparing the printer.

➔ [Changing Printer Setting to Use Wireless Direct](#)

2. Preparing a device to connect to the printer.

➔ [Changing Settings of a Device and Connecting It to the Printer](#)

»» Important

- You can connect up to 5 devices to the printer at the same time with Wireless Direct.
- Check the usage restrictions and switch the printer to the Wireless Direct.

➔ [Restrictions](#)

Changing Printer Setting to Use Wireless Direct

1. Make sure the printer is turned on.
2. Select **LAN settings** on HOME screen and then press the **OK** button.
➔ [Setting Items on Operation Panel](#)
3. Select **Wireless Direct** and then press the **OK** button.
4. Select **Settings** and then press the **OK** button.
5. Select **Enable/disable Wireless Direct** and then press the **OK** button.
6. Check displayed message, select **Yes** and then press the **OK** button.

After Wireless Direct is enabled, the identifier (SSID), etc. when using the printer with wireless direct connection are displayed.

You can check various settings of wireless direct.

»» Note

- The password is required when connecting a device to the printer. Depending on the device you are using, no password is required.

- When you connect a Wi-Fi Direct compatible device to the printer, select the device name displayed on the LCD from your device.
- To change the identifier (SSID) and the password, see below.

➔ [Changing Wireless Direct Setting](#)

Changing Settings of a Device and Connecting It to the Printer

1. Turn on Wi-Fi function on your device.

Enable "Wi-Fi" on your device's "Setting" menu.

For more on turning on Wi-Fi function, see your device's instruction manual.

2. Select "DIRECT-XXXX-PRO-300 series" ("X" represents alphanumeric characters) from list displayed on your device.

▶▶▶ Note

- If "DIRECT-XXXX-PRO-300 series" does not appear on the list, Wireless Direct is not enabled. See [Changing Printer Setting to Use Wireless Direct](#) to enable Wireless Direct.

3. Enter password.

Your device is connected to the printer.

▶▶▶ Note

- Check the password for the Wireless Direct.
 1. Select **LAN settings** on the Home screen and then press the **OK** button.
 2. Select **Wireless Direct** and then press the **OK** button.
 3. Select **Show password** and then press the **OK** button.
- Depending on the device you are using, entering the password is required to connect a device to the printer via Wi-Fi. Enter the password specified for the printer.
- If your Wi-Fi Direct compatible device is set to prioritize using Wi-Fi Direct and it is connecting to the printer, the printer displays a confirmation screen asking if you allow the device to connect to the printer.

Make sure the name on the LCD is the same as that of your wireless communication device and select **Yes**.

Changing Wireless Direct Setting

Change the settings for the Wireless Direct following the procedure below.

1. Select **LAN settings** on the HOME screen and then press the **OK** button.

2. Select **Wireless Direct** and then press the **OK** button.

3. Select **Settings** and then press the **OK** button.



- **Change SSID/device name**

Change the identifier (SSID) for Wireless Direct.

The identifier (SSID) is the printer's name (device name) displayed on a Wi-Fi Direct compatible device.

Follow the procedure below to change the identifier (SSID).

- To set manually

1. Press the **OK** button to enter the input screen.
2. Enter the identifier or printer name.
3. Confirm the inputted content and select **OK**.

- To set automatically

1. Select **Auto update**.
2. Check displayed message and select **Yes**.

- **Change password**

Change the password for Wireless Direct.

- To set manually.

1. Select **Change manually**.
2. Press the **OK** button to enter the input screen.
3. Enter the new password (10 characters).
4. Confirm the inputted content and select **OK**.

- To set automatically

1. Select **Auto update**.
2. Check displayed message and select **Yes**.

- **Connection request confirmation**

Change the confirmation screen setting when a Wi-Fi Direct compatible device is connecting to the printer.

If you want the printer to display the screen to inform you a Wi-Fi Direct compatible device is connecting to the printer, select **Yes**.

»» Important

- To prevent an unauthorized access, we recommend you should select the setting to display the confirmation screen.

»» Note

- If you change the Wireless Direct setting of the printer, also change the wireless router setting of the device.

IJ Network Device Setup Utility (Windows)

- ▶ **IJ Network Device Setup Utility**
- ▶ **Starting Up IJ Network Device Setup Utility**
- ▶ **Diagnosing and Repairing Network Settings**
- ▶ **Performing/Changing Network Settings**
- ▶ **List of Models Which Does Not Support Diagnosis and Repair Function**
- ▶ **List of Models Which Does Not Support IPv6 Configuration via USB Connection**

IJ Network Device Setup Utility

IJ Network Device Setup Utility allows you to diagnose or repair the network status, and to perform printer settings on network.

Use IJ Network Device Setup Utility for:

- Searching printers on network and performing initial network setup for detected printers
- Performing initial network setup by connecting the printer and computer using a USB cable (Not available for some models)
- Changing printer network settings
- Diagnosing the settings of the printer and those of computer on which IJ Network Device Setup Utility is installed if anything is wrong with connection. In addition, IJ Network Device Setup Utility repairs the status of the printer and computer (Not available for some models).

»» Important

- Depending on the printer you are using, an administrator password is already specified for the printer at the time of purchase. When you change the network settings, authentication by the administrator password is required.

For details:

➔ Administrator Password

For improving security, we recommend to change the administrator password.

➔ [Change Administrator Password](#)

- To use the printer over LAN, make sure you have the equipment necessary for the connection type, such as a wireless router or a LAN cable.
- When you install IJ Network Device Setup Utility, disable block function of firewall.
- Do not change network settings using IJ Network Device Setup Utility while printing is in progress.

Starting Up IJ Network Device Setup Utility

Start up IJ Network Device Setup Utility as shown below.

- In Windows 10, select **Start > (All apps >) > Canon Utilities > IJ Network Device Setup Utility**.
- In Windows 8.1 or Windows 8, select **IJ Network Device Setup Utility** on the **Start** screen to start IJ Network Device Setup Utility. If **IJ Network Device Setup Utility** is not displayed on the **Start** screen, select the **Search** charm and search for "IJ Network Device Setup Utility".
- In Windows 7 or Windows Vista, click **Start** and select **All Programs, Canon Utilities, IJ Network Device Setup Utility**, and then **IJ Network Device Setup Utility**.

When you start up IJ Network Device Setup Utility, a message appears. Check the message and select **Yes**. The screen below appears.



Select **Diagnose and Repair** or **Printer Network Setup** on the displayed screen.

- If you select **Diagnose and Repair**:
 - ➔ [Diagnosing and Repairing Network Settings](#)
- If you select **Printer Network Setup**:
 - ➔ [Performing/Changing Network Settings](#)

Diagnosing and Repairing Network Settings

IJ Network Device Setup Utility diagnoses and repairs computer settings or connection between the computer and printer when a problem (e.g. cannot print from a printer on the network) occurs.

▶▶▶ Important

- Some models do not support diagnosis and repair function.

For details:

➔ [List of Models Which Does Not Support Diagnosis and Repair Function](#)

Follow the procedure below.

1. [Start up IJ Network Device Setup Utility.](#)
2. Check the displayed message and select **Yes**.
3. Select **Diagnose and Repair** on the displayed screen.

Perform operations following the instructions on the screen.

▶▶▶ Note

- This function checks the following items:
 - whether the computer is connected to the router
 - whether a web page on the Internet can be viewed
 - whether the printer can be detected on the network
 - whether the signal strength or communication level is sufficient (when using Wi-Fi)
 - whether the printer port setting matches with the network setting

Performing/Changing Network Settings

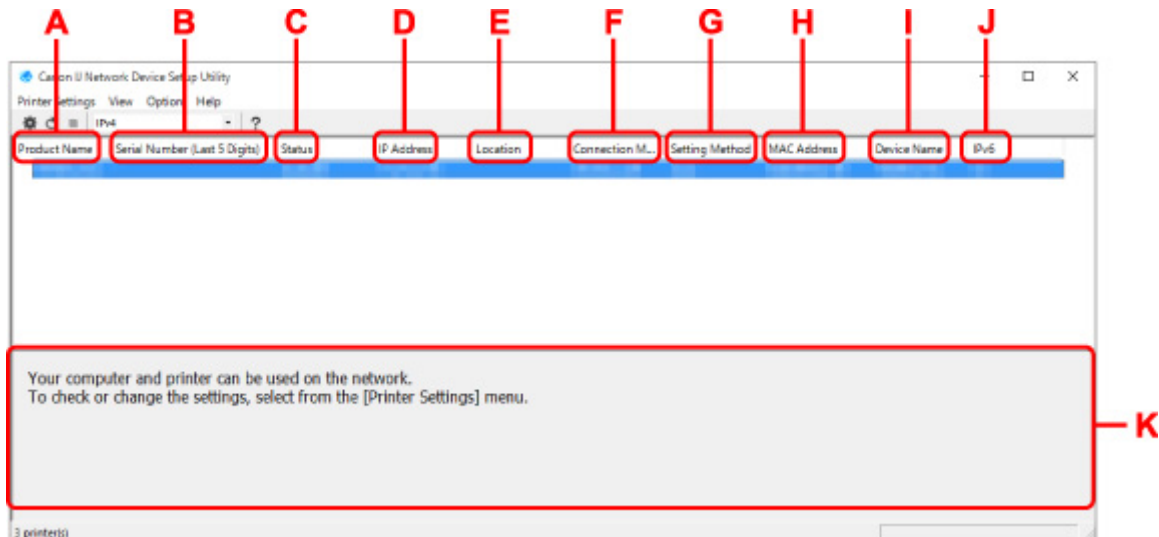
- ▶ **Canon IJ Network Device Setup Utility Screen**
- ▶ **Performing Network Settings**

Canon IJ Network Device Setup Utility Screen

- ➔ [Items on Canon IJ Network Device Setup Utility Screen](#)
- ➔ [Menus on Canon IJ Network Device Setup Utility Screen](#)
- ➔ [Items on Canon IJ Network Device Setup Utility Screen Toolbar](#)

Items on Canon IJ Network Device Setup Utility Screen

The screen below appears when you start up IJ Network Device Setup Utility and select **Printer Network Setup**. Detected printers are listed on the screen and the items below are shown.



A: Product Name

Displays the product name of detected printer. The icon below appears on the left if the printer cannot be used.

: Appears when the printer requires setup or has not been configured.

: Appears when the IP address is duplicated to another printer.

: Appears when you cannot communicate with the printer.

➤➤➤ Note

- If a printer you want to use is not detected, try to set the criteria for printer search.
 - ➔ [Setting Criteria for Printer Search/Searching Specific Printer](#)
- Right-clicking a printer displays setting items or items to confirm.

B: Serial Number (Last 5 Digits)

Displays the last five digits of printer's serial number.

C: Status

Displays the printer status as shown below.

- **Available**
Indicates the printer is available.
- **Setup Completed**

Appears after performing network setup and clicking **Set** to close the window.

- **Requires Setup**

Indicates the printer is required to perform Wi-Fi setup.

➔ [Performing/Changing Wi-Fi Settings](#)

- **Not Set**

Indicates the printer cannot be used on network, or IPv6 is disabled. Specify an IP address or enable IPv6 on **Network Settings...**

➔ [Performing/Changing Wi-Fi Settings](#)

- **IP Address Overlap**

Indicates the IP address is duplicated to another printer.

- **Unknown**

Indicates the printer recognized as **Available** in the past cannot be used currently.

▶▶▶ **Note**

- If **USB** is selected from the pulldown menu on the toolbar, nothing is displayed.

D: IP Address

Displays the printer IP address. Nothing is displayed if the printer status is **Requires Setup**.

▶▶▶ **Note**

- If **USB** is selected from the pulldown menu on the toolbar, "-" is displayed.

E: Location

Displays the printer location if it is registered. Nothing is displayed if the printer status is **Requires Setup**.

▶▶▶ **Note**

- If **USB** is selected from the pulldown menu on the toolbar, nothing is displayed.

➔ [Assigning Printer Information](#)

F: Connection Method

Displays printer connection method (wired LAN, Wi-Fi, or USB).

▶▶▶ **Note**

- If **USB** is selected from the pulldown menu on the toolbar, **USB** is displayed.
- If the printer supports both of the LAN connection methods, the printer is recognized as two printers and they are displayed separately. (The same numbers are displayed on **Serial Number (Last 5 Digits)**.)
- If the printer does not support wired LAN, wired LAN is not displayed.
- If you are using IJ Network Device Setup Utility on the computer which does not support Wi-Fi, Wi-Fi is not displayed.

G: Setting Method

Displays printer setting method.

- **Auto**

Appears if the printer is used by IP address specified automatically.

- **Manual**

Appears if the printer is used by IP address specified manually.

»»» **Note**

- If **USB** is selected from the pulldown menu on the toolbar, "-" is displayed.

H: MAC Address

Displays the MAC address of the detected printer.

»»» **Note**

- If **USB** is selected from the pulldown menu on the toolbar, "-" is displayed.

I: Device Name

Displays the printer device name if it is registered.

»»» **Note**

- If **USB** is selected from the pulldown menu on the toolbar, nothing is displayed.
- The printer with **Requires Setup** displayed on **Status** is not displayed.

➔ [Assigning Printer Information](#)

J: IPv6

On appears when an IPv6 address is assigned for the printer.

»»» **Note**

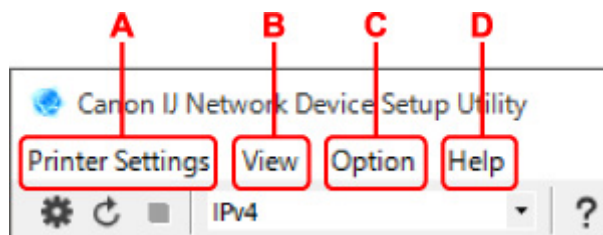
- If **USB** is selected from the pulldown menu on the toolbar, "-" is displayed.

K: Displays the printer status and operation guides.

Selecting a printer from the printer list displays its current status and what to do next.

Menus on Canon IJ Network Device Setup Utility Screen

This section describes menus on **Canon IJ Network Device Setup Utility** screen.



A: Printer Settings menu

➔ [Printer Settings Menu](#)

B: View menu

➔ [View Menu](#)

C: Option menu

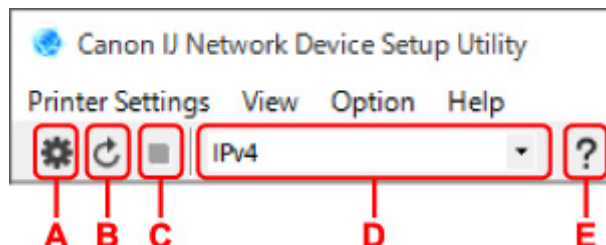
➔ [Option Menu](#)

D: Help menu

➔ [Help Menu](#)

Items on Canon IJ Network Device Setup Utility Screen Toolbar

This section describes items on **Canon IJ Network Device Setup Utility** Screen toolbar.



A: Perform wired or Wi-Fi setup.

➤➤➤ Note

- This item has the same function as [Network Settings...](#) in the **Printer Settings** menu.

B: Redetects printers.

➤➤➤ Note

- This item has the same function as [Update](#) in the **View** menu.

C: Stops detecting printers.

➤➤➤ Note

- This item has the same function as [Cancel](#) in the **View** menu.

D: Switches the printer list. (IPv4, IPv6, or USB printers)

➤➤➤ Note

- This item has the same function as [Switch View](#) in the **View** menu.
- You can also display the USB connected printer list. (Not available for some models.) In this case, select **USB**.

E: Displays this guide.

➤➤➤ Note

- This item has the same function as [Online Manual](#) in the **Help** menu.

Performing Network Settings

- **Performing/Changing Wired LAN Connection (Ethernet Cable) Settings**
- **Performing/Changing Wi-Fi Settings**
- **Assigning Printer Information**

Performing/Changing Wired LAN Connection (Ethernet Cable) Settings

Follow the procedure below to perform/change wired LAN settings.

▶▶▶ Note

- For some models, you can perform network setup for a USB connected printer using IJ Network Device Setup Utility. Select **USB** on **Switch View** under the **View** menu to display printers for which you can perform setup.

1. [Start up IJ Network Device Setup Utility.](#)

2. Check the displayed message and select **Yes**.

3. Select **Printer Network Setup** on the displayed screen.

Detected printers are listed.

4. Select printer to perform/change settings from printer list.

Select the printer with **Wired LAN** displayed on **Connection Method** and **Available** displayed on **Status** to perform settings.

You can perform settings for a printer with **Available** not displayed on **Status** via USB connection.


To perform setup for a USB connected printer, select **USB** from the pulldown menu on the toolbar and select the printer to perform/change settings.

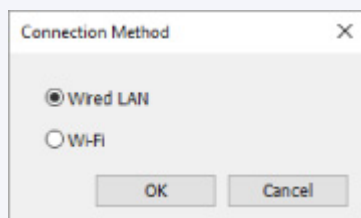
5. Select **Network Settings...** on **Printer Settings** menu.

The **Confirm Printer Password** screen appears.

For more on the password, refer to Administrator Password.

▶▶▶ Note

- Clicking the  icon allows you to perform/change settings.
- If you select a USB connected printer on step 4, the screen below appears after the **Confirm Printer Password** screen appears



Select **Wired LAN** and click **OK**.

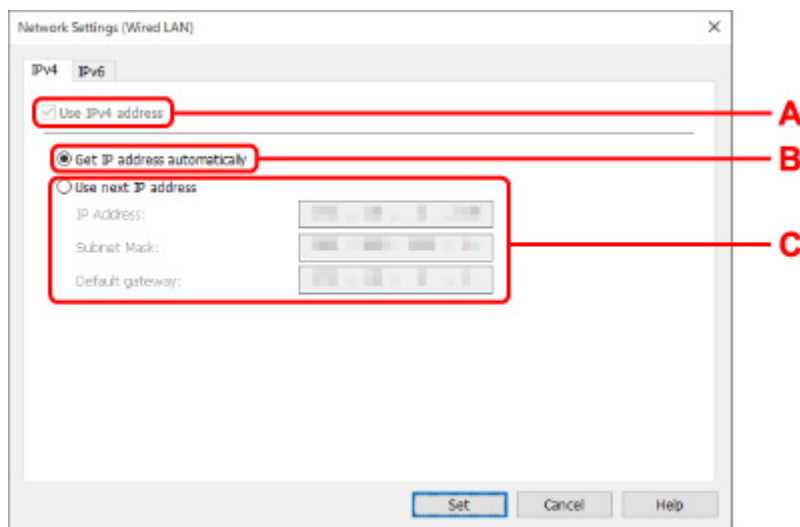
6. Enter password and click **OK**.

The **Network Settings** screen appears.

7. Perform/change settings.

You can switch the screen between IPv4 and IPv6. Click the tab to switch the protocol.

- IPv4 settings



A: Use IPv4 address

Always selected. (displayed in a gray out state)

B: Get IP address automatically

Select this option to use an IP address automatically assigned by a DHCP server. DHCP server functionality must be enabled on your router.

C: Use next IP address

Select this option if no DHCP server functionality is available in your setup where you use the printer, or you want to use a fixed IP address.

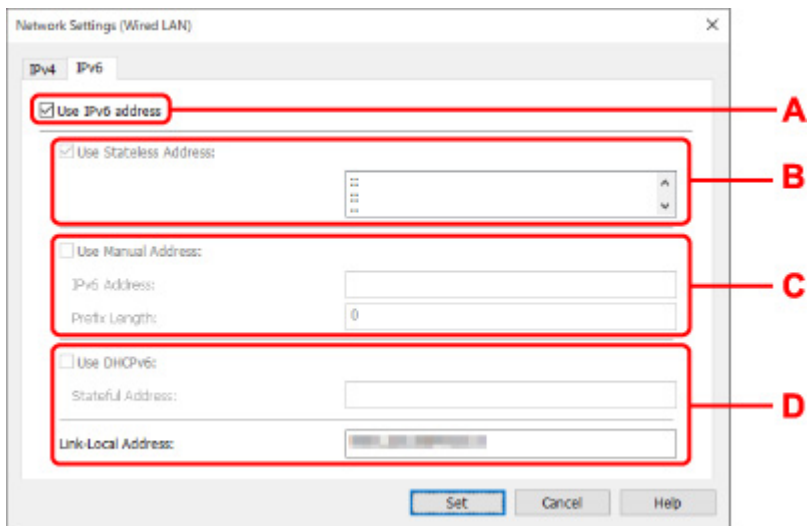
Enter the IP address, subnet mask, and default gateway.

- IPv6 settings

▶▶▶ Note

- If you select a USB connected printer on step 4, you cannot perform IPv6 settings depending on the printer you are using.

For details, see [List of Models Which Does Not Support IPv6 Configuration via USB Connection](#).



A: Use IPv6 address

Select when you use the printer with IPv6 environment.

B: Use Stateless Address:

Select when you use an IP address assigned automatically. Use a router compatible with IPv6.

▶▶▶ Note

- This setting item is not available depending on the printer you are using.

C: Use Manual Address:

Select this option if no DHCP server functionality is available in your setup where you use the printer, or you want to use a fixed IP address.

Enter the IP address and IP address prefix length.

▶▶▶ Note

- This setting item is not available depending on the printer you are using.

D: Use DHCPv6:

Select when you obtain an IP address using DHCPv6.

▶▶▶ Note

- This setting item is not available depending on the printer you are using.

8. Click **Set**.

Performing/Changing Wi-Fi Settings

Follow the procedure below to perform/change Wi-Fi settings.

▶▶▶ Important

- Enable Easy wireless connect (Cableless setup) before performing printer setup. (Not required if you change the IP address.) For details, search for "NR049" on your printer's online manual and see the page shown.
- If you use a printer over the Wi-Fi, we highly recommend you perform security settings for Wi-Fi network using WPA/WPA2 from the viewpoint of security.

▶▶▶ Note

- For some models, you can perform network setup for a USB connected printer using IJ Network Device Setup Utility. Select **USB** on **Switch View** under the **View** menu to display printers.

1. [Start up IJ Network Device Setup Utility.](#)

2. Check the displayed message and select **Yes**.

3. Select **Printer Network Setup** on the displayed screen.

Detected printers are listed.

4. Select printer to perform/change settings from printer list.

Select the printer with **Wi-Fi** displayed on **Connection Method** and **Available** or **Requires Setup** displayed on **Status** to perform settings.

You can perform settings for a printer with **Available** or **Requires Setup** not displayed on **Status** via USB connection.


To perform setup for a USB connected printer, select **USB** from the pulldown menu on the toolbar and select the printer to perform/change settings.

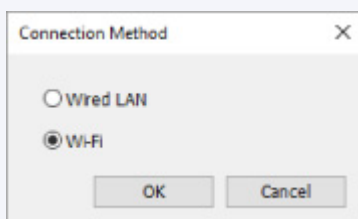
5. Select **Network Settings...** on **Printer Settings** menu.

The **Confirm Printer Password** screen appears.

For more on the password, refer to Administrator Password.

▶▶▶ Note

- Clicking the  icon allows you to perform/change settings.
- If you select a USB connected printer on step 4 and the selected printer is compatible with wired LAN, the screen below appears after the **Confirm Printer Password** screen appears



Select **Wi-Fi** and click **OK**.

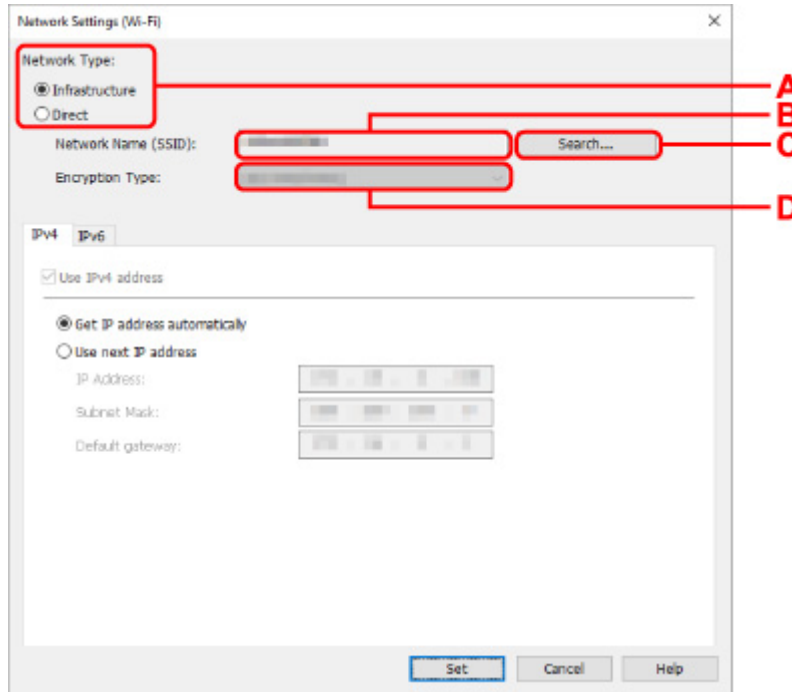
6. Enter password and click OK.

The **Network Settings** screen appears.

7. Perform/change settings.

You can switch the screen between IPv4 and IPv6. Click the tab to switch the protocol.

- IPv4/IPv6 settings



A: Network Type:

Select the Wi-Fi mode.

- **Infrastructure**

Connects the printer to the Wi-Fi with a wireless router.

- **Direct**

Connects the printer to wireless communication devices (smartphone or tablet) without a wireless router.

▶▶▶ Note

- If Wi-Fi is enabled on the computer and if you select a USB connected printer on step 4, you can select **Direct** depending on the printer you are using.
- If **Direct** is selected, all items are displayed in a gray out status and you cannot perform any settings.

In addition, you cannot connect to Internet from your computer depending on your operating environment.

B: Network Name (SSID):

The network name (SSID) of the Wi-Fi currently used is displayed.

The network name (SSID) for Wireless Direct appears while in Wireless Direct.

C: Search...

The **Detected Wireless Routers** screen is displayed to select a wireless router to connect to. For a wireless router already connected to the computer, **Available** is displayed on **Communication Status**.

If you select a wireless router with **Not Connected** on **Communication Status** from the list, clicking **Set** displays the WPA/WPA2 or WEP setting screen for a wireless router.

- ➔ [If WEP Details Screen Appears](#)
- ➔ [If WPA/WPA2 Details Screen Appears](#)

D: Encryption Type:

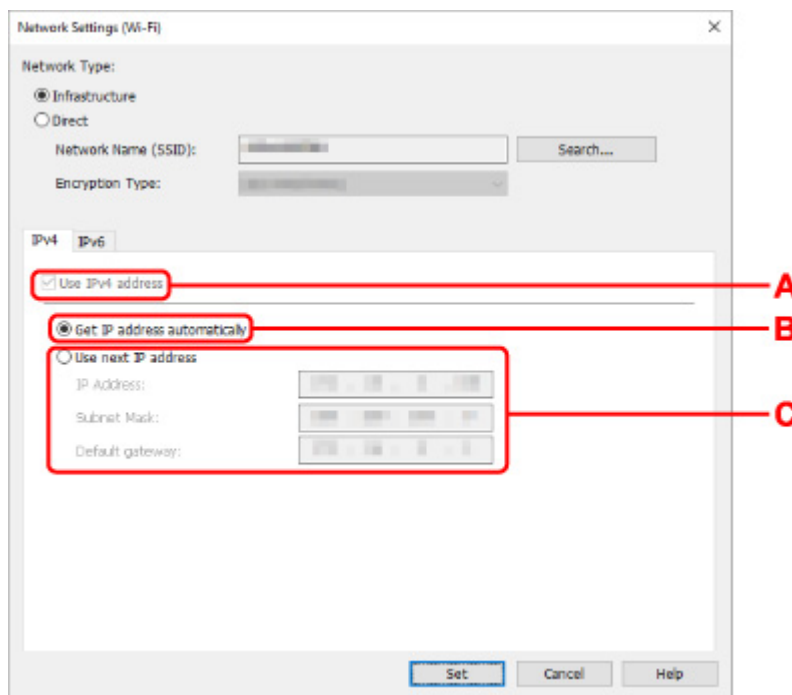
Displays the encryption method used over the Wi-Fi.

- IPv4 settings

▶▶▶ Note

- The setting items below are available only when **Infrastructure** is selected for **Network Type**:

If **Direct** is selected, all items are displayed in a gray out status and you cannot perform any settings.



A: Use IPv4 address

Always selected. (displayed in a gray out state)

B: Get IP address automatically

Select this option to use an IP address automatically assigned by a DHCP server. DHCP server functionality must be enabled on your wireless router.

C: Use next IP address

Select this option if no DHCP server functionality is available in your setup where you use the printer, or you want to use a fixed IP address.

Enter the IP address, subnet mask, and default gateway.

- IPv6 settings

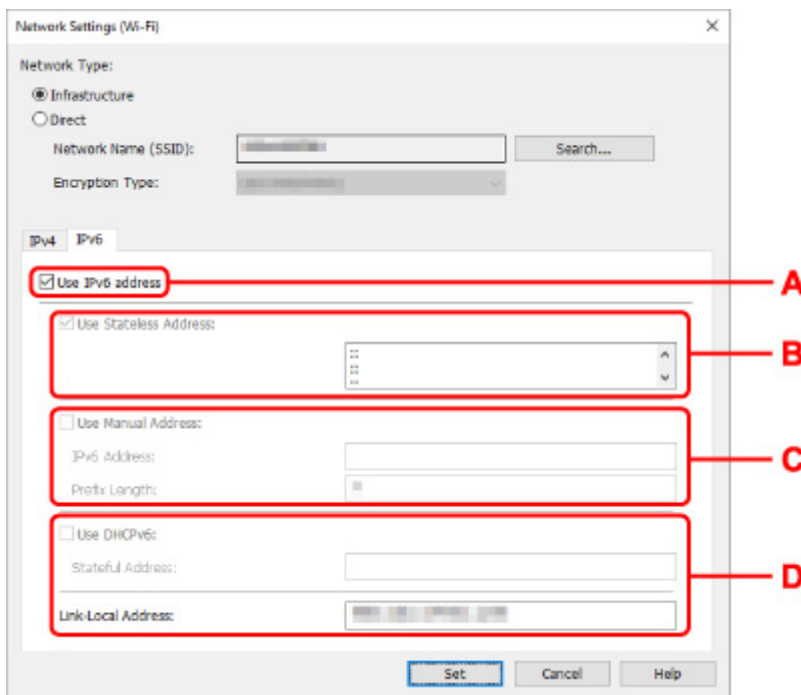
▶▶▶ Note

- If you select a USB connected printer on step 4, you cannot perform IPv6 settings depending on the printer you are using.

For details, see [List of Models Which Does Not Support IPv6 Configuration via USB Connection](#).

- The setting items below are available only when **Infrastructure** is selected for **Network Type**:

If **Direct** is selected, all items are displayed in a gray out status and you cannot perform any settings.



A: Use IPv6 address

Select when you use the printer with IPv6 environment.

B: Use Stateless Address:

Select when you use an IP address assigned automatically. Use a router compatible with IPv6.

▶▶▶ Note

- This setting item is not available depending on the printer you are using.

C: Use Manual Address:

Select this option if no DHCP server functionality is available in your setup where you use the printer, or you want to use a fixed IP address.

Enter the IP address and IP address prefix length.

▶▶▶ Note

- This setting item is not available depending on the printer you are using.

D: Use DHCPv6:

Select when you obtain an IP address using DHCPv6.

▶▶ Note

- This setting item is not available depending on the printer you are using.

8. Click Set.

Assigning Printer Information

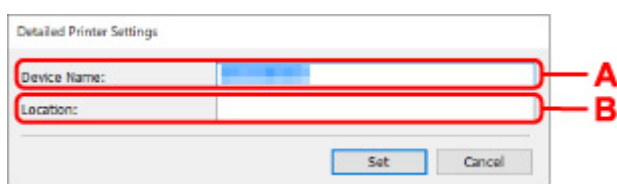
Follow the procedure below to assign/change printer location name or device name.

The names appear on **Device Name:** and **Location:** on the **Canon IJ Network Device Setup Utility** screen.

▶▶▶ Note

- If **USB** is selected from the pulldown menu on the toolbar, this setting item is not available.

1. [Start up IJ Network Device Setup Utility.](#)
2. Check the displayed message and select **Yes**.
3. Select **Printer Network Setup** on the displayed screen.
Detected printers are listed.
4. Select printer to assign location name and device name.
Select the printer with **Available** displayed on **Status**.
5. Select **Detailed Printer Settings...** on **Printer Settings** menu.
The **Confirm Printer Password** screen appears.
For more on the password, refer to Administrator Password.
6. Enter password and click **OK**.
The **Detailed Printer Settings** screen appears.
7. Perform/change settings.



The screenshot shows a dialog box titled "Detailed Printer Settings". It contains two text input fields. The first field is labeled "Device Name:" and the second is labeled "Location:". Red circles are drawn around each field, with red lines extending to the right, pointing to the letters "A" and "B" respectively. Below the input fields are two buttons: "Set" and "Cancel".

The setting items below are available.

A: Device Name:

Assigns the device name.

B: Location:

Assigns the location name.

8. Click **Set**.

Initializing Network Settings

Follow the procedure below to initializing printer network settings.

1. [Start up IJ Network Device Setup Utility.](#)
2. Check the displayed message and select **Yes**.
3. Select **Printer Network Setup** on the displayed screen.
Detected printers are listed.
4. Select printer to initialize settings.
Select the printer with **Available** displayed on **Status**.
5. Select **Reset LAN settings** on **Printer Settings** menu.
The **Confirm Printer Password** screen appears.
For more on the password, refer to Administrator Password.
6. Enter password and click **OK**.
7. Click **Yes** on the displayed screen.
8. Click **OK** on the displayed screen.
The printer network settings are initialized.

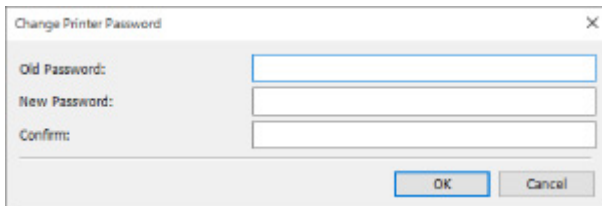
Change Administrator Password

Follow the procedure below to change the administrator password.

1. [Start up IJ Network Device Setup Utility.](#)
2. Check the displayed message and select **Yes**.
3. Select **Printer Network Setup** on the displayed screen.
Detected printers are listed.
4. Select printer to change password.
Select the printer with **Available** displayed on **Status**.
5. Select **Change Password...** on **Printer Settings** menu.

The **Change Printer Password** screen appears.

For more on the password, refer to Administrator Password.



The screenshot shows a dialog box titled "Change Printer Password" with a close button (X) in the top right corner. It contains three input fields: "Old Password:", "New Password:", and "Confirm:". Below the input fields are two buttons: "OK" and "Cancel".

6. Enter current password and new password.
7. Enter new password in **Confirm:** again.
8. Click **OK**.

The administrator password is updated.

Setting Criteria for Printer Search/Searching Specific Printer

You can set the criteria for printer search when you start up IJ Network Device Setup Utility or update the printer search, or you can search the specific printer.

Changing these settings may detect the printer you want to use if it is not detected.

▶▶▶ Note

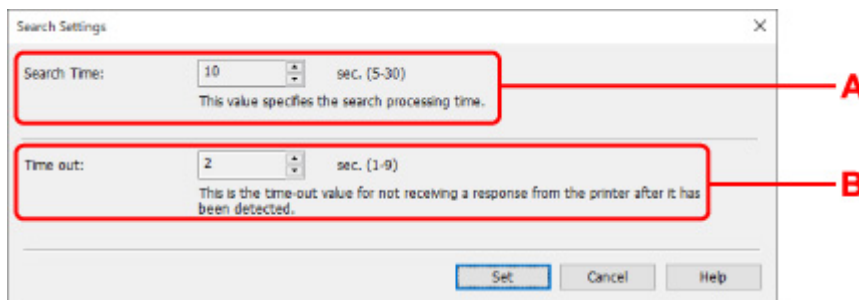
- If the printer you want to use is not detected, it may be detected by entering IP address, subnet mask, or default gateway on the operation panel and search again.

➔ [Setting Criteria for Printer Search](#)

➔ [Searching Specific Printer](#)

Setting Criteria for Printer Search

1. [Start up IJ Network Device Setup Utility.](#)
2. Check the displayed message and select **Yes**.
3. Select **Printer Network Setup** on the displayed screen.
Detected printers are listed.
4. Select **Search Settings...** on **Option** menu.
The **Search Settings** screen appears.
5. Enter criteria for printer search.



A: Search Time:

Specifies the time to search printers.

B: Time out:

Specifies the timeout length for not receiving a response from printer.

▶▶▶ Note

- Printers you want to find are more likely to be detected as the values are larger, however, it may take a while to search them.

6. Click **Set**.

Searching Specific Printer

1. [Start up IJ Network Device Setup Utility](#).
2. Check the displayed message and select **Yes**.
3. Select **Printer Network Setup** on the displayed screen.
Detected printers are listed.
4. Select **Specified Searching...** on **Option** menu.
The **Specified Searching** screen appears.
5. Select item to specify and enter value.

Specified Searching

Select the search method, and then click [Search].
The results will be displayed in the list.

IPv4 Address

IPv6 Address

Host Name

Search Cancel Help

A: IPv4 Address

Specifies the IPv4 address of the printer you want to search.

B: IPv6 Address

Specifies the IPv6 address of the printer you want to search.

C: Host Name

Specifies the host name of the printer you want to search.

6. Click **Search**.

IJ Network Device Setup Utility starts searching by the specified criteria and detected printers are listed.

If WEP Details Screen Appears

Enter the password (WEP key) according to wireless router's encryption method if you change a wireless router to connect to the printer.

1. Enter items below when **WEP Details** screen appears.

The screenshot shows a dialog box titled "WEP Details" with a close button in the top right corner. It contains four input fields, each highlighted with a red box and labeled with a letter: "WEP Key:" (labeled A), "Key Length:" (labeled B, showing "64bit"), "Key Format:" (labeled C, showing "ASCII"), and "Key ID:" (labeled D, showing "1"). At the bottom of the dialog are "Set" and "Cancel" buttons.

A: WEP Key:

Enter the same key as the one set to the wireless router.

The number of characters and character type that can be entered differ depending on the combination of the key length and key format.

		Key Length:	
		64bit	128bit
Key Format:	ASCII	5 characters	13 characters
	Hexadecimal (Hex)	10 digits	26 digits

B: Key Length:

Select either **64bit** or **128bit**.

C: Key Format:

Select either **ASCII** or **Hex**.

D: Key ID:

Select the Key ID (index) set to the wireless router.

2. Click **Set**.

Important

- If the printer cannot communicate with the computer after the encryption type of the printer was switched, make sure encryption types for the computer and the wireless router match that set to the printer.

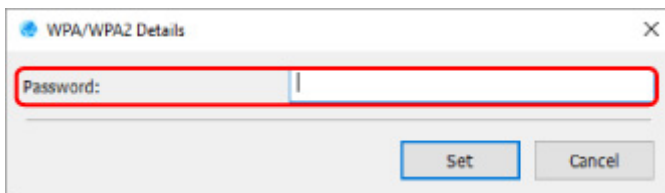
If WPA/WPA2 Details Screen Appears

Enter the password according to wireless router's encryption method if you change a wireless router to connect to the printer.

1. Enter password when **WPA/WPA2 Details** screen appears.

Enter the password set to the wireless router. The password should be a string of 8 to 63 alphanumeric characters or a 64-digit hexadecimal value.

If you do not know the wireless router password, refer to the instruction manual provided with the wireless router or contact its manufacturer.



2. Click **Set**.

▶▶▶ Important

- If the printer cannot communicate with the computer after the encryption type of the printer was switched, make sure encryption types for the computer and the wireless router match that set to the printer.

Checking Network Status

- **Checking Wi-Fi Network Status**
- **Displaying Computer Network Information**
- **Displaying Printer Network Information**
- **Checking Connection Status between Printer and Wireless Router**
- **Checking Network Setting Difference**

Checking Wi-Fi Network Status

Follow the procedure below to check the wireless network status (signal strength) between the printer and computer.

If anything is wrong with the Wi-Fi connection, check the network status from this menu.

1. [Start up IJ Network Device Setup Utility.](#)
2. Check the displayed message and select **Yes**.
3. Select **Printer Network Setup** on the displayed screen.
Detected printers are listed.
4. Select printer to check wireless network status from printer list.
Select the printer with **Available** displayed on **Status**.
5. Select **Check Wireless Communication Status** on **View** menu.

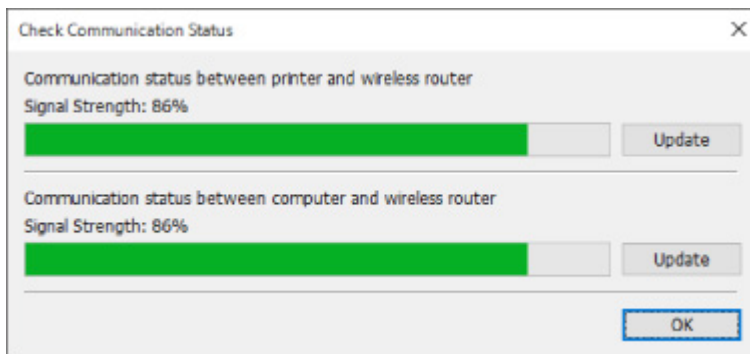
The **Confirm Printer Password** screen appears.

For more on the password, refer to Administrator Password.

6. Enter password and click **OK**.

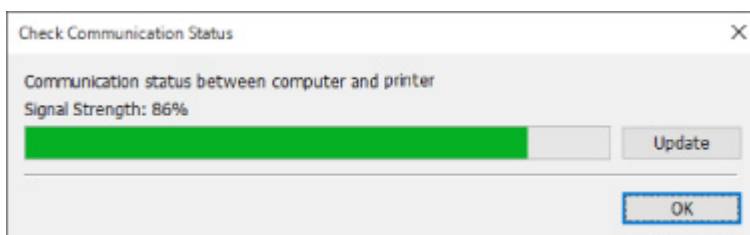
- If the printer is connected to the computer with a wireless router:

The screen below appears.



- If the printer is connected to the computer using Wireless Direct:

The screen below appears.



Clicking **Update** measures the signal strength again.

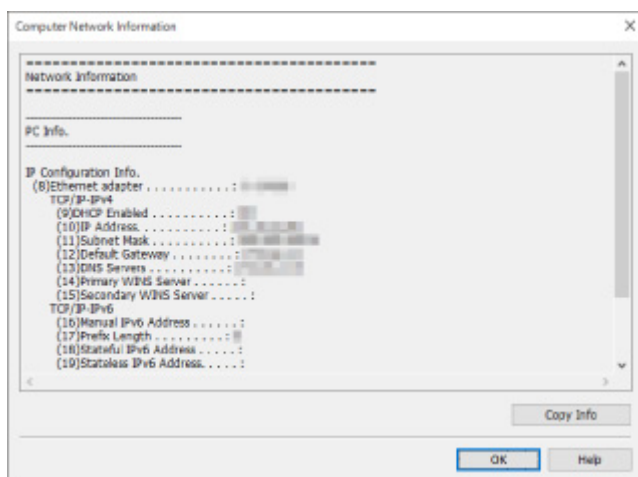
7. Click **OK** to close screen.

Displaying Computer Network Information

Follow the procedure below to display the network information of the computer which the printer selected in the **Canon IJ Network Device Setup Utility** screen connects to and on which IJ Network Device Setup Utility is installed.

1. [Start up IJ Network Device Setup Utility.](#)
2. Check the displayed message and select **Yes**.
3. Select **Printer Network Setup** on the displayed screen.
Detected printers are listed.
4. Select **Computer Network Information** on **View** menu.

The screen below appears.



Clicking **Copy Info** copies all network information on the clipboard.

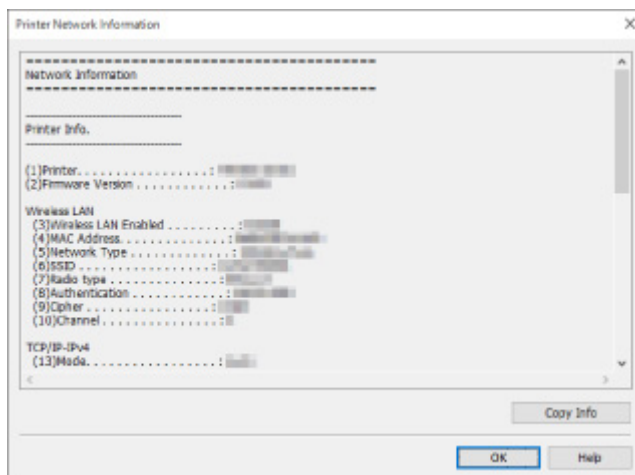
5. Click **OK** to close screen.

Displaying Printer Network Information

Follow the procedure below to display the printer network information.

1. [Start up IJ Network Device Setup Utility.](#)
2. Check the displayed message and select **Yes**.
3. Select **Printer Network Setup** on the displayed screen.
Detected printers are listed.
4. Select printer to display network information from printer list.
Select the printer with **Available** displayed on **Status**.
5. Select **Printer Network Information** on **View** menu.
The **Confirm Printer Password** screen appears.
For more on the password, refer to Administrator Password.
6. Enter password and click **OK**.

The screen below appears.



Clicking **Copy Info** copies all network information on the clipboard.

7. Click **OK** to close screen.

Checking Connection Status between Printer and Wireless Router

Follow the procedure below to check the wireless router information detected by the printer.

Detects wireless routers around the printer and the detected ones are listed. Use this menu to make sure whether the printer is located properly.

1. [Start up IJ Network Device Setup Utility.](#)

2. Check the displayed message and select **Yes**.

3. Select **Printer Network Setup** on the displayed screen.

Detected printers are listed.

4. Select printer to check connection status between printer and wireless router from printer list.

Select the printer with **Available** displayed on **Status** and **Wi-Fi** displayed on **Connection Method**.

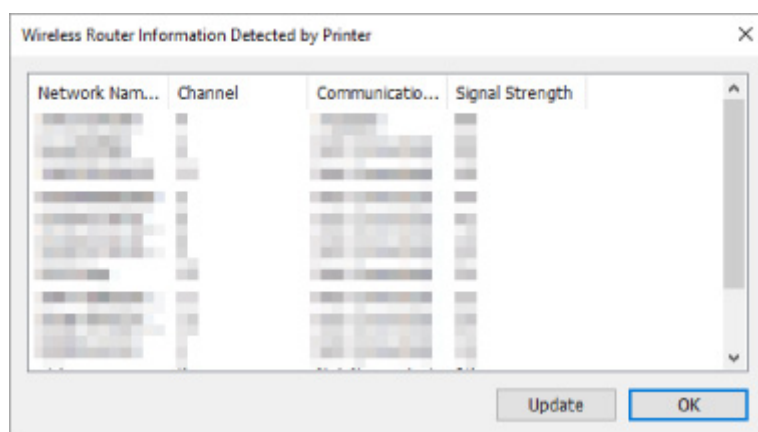
5. Select **Connection Status of Printer and Wireless Router** on **View** menu.

The **Confirm Printer Password** screen appears.

For more on the password, refer to Administrator Password.

6. Enter password and click **OK**.

The screen below appears.



Clicking **Update** searches wireless routers again.

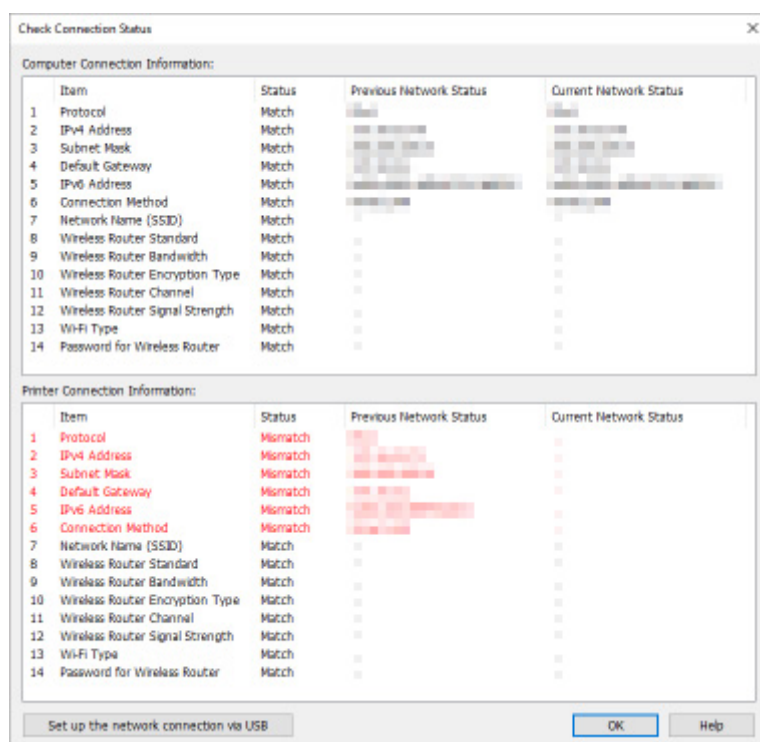
7. Click **OK** to close screen.

Checking Network Setting Difference

If you cannot use a printer you used on the network before, compare the current network status with that when you could use the printer and check the difference.

1. [Start up IJ Network Device Setup Utility.](#)
2. Check the displayed message and select **Yes**.
3. Select **Printer Network Setup** on the displayed screen.
Detected printers are listed.
4. Select printer with **Unknown** or **Not Set** displayed on **Status** from printer list.
5. Select **Check Connection Status** on **View** menu.

The screen below appears.



If the network status when you used the printer is different from the current status, **Mismatch** appears on **Status** and the items are displayed in red. Check the red items.

6. Click **OK** to close screen.

Performing Network Settings via USB Connection

When the **Check Connection Status** screen is displayed, you can perform printer network setup by connecting the printer and computer using a USB cable. Follow the procedure below.

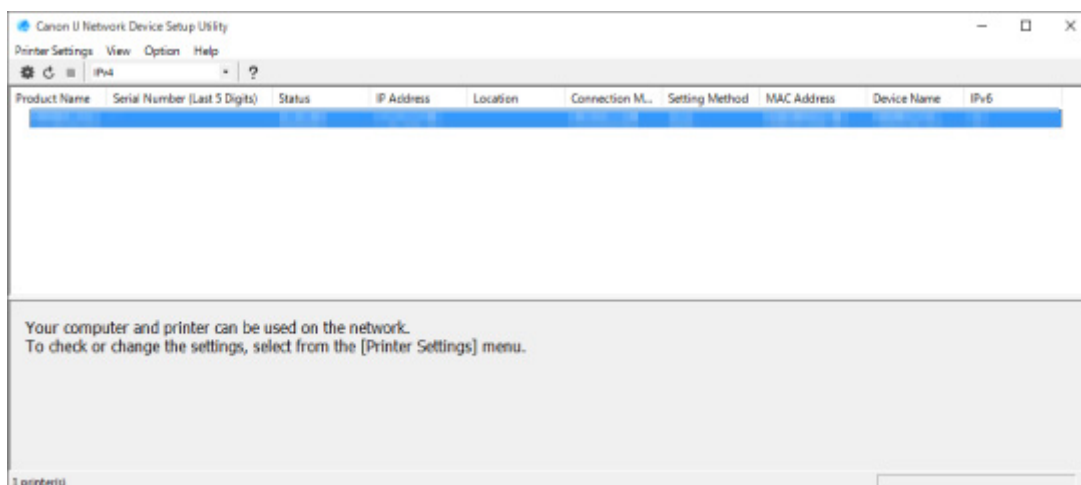
1. Click **Set up the network connection via USB.**

Follow the displayed message to connect the printer to perform setup to the computer using a USB cable. Make sure the printer is turned on.

2. Click **Yes on displayed screen.**

The detected printers are listed.

3. Select printer to perform setup from the printer list.



Perform setup following the on-screen instructions.

IJ Network Device Setup Utility Menus

- **Printer Settings Menu**
- **View Menu**
- **Option Menu**
- **Help Menu**

Printer Settings Menu

This section describes the items displayed on the **Printer Settings** menu.



A: Network Settings...

Performs wired or Wi-Fi settings.

- ➔ [Performing/Changing Wired LAN Connection \(Ethernet Cable\) Settings](#)
- ➔ [Performing/Changing Wi-Fi Settings](#)

➤➤➤ Note

- Right-clicking a printer on the **Canon IJ Network Device Setup Utility** screen also displays this item.

B: Detailed Printer Settings...

Assigns the printer device name and location name.

- ➔ [Assigning Printer Information](#)

C: Reset LAN settings

Initializes the printer LAN settings.

- ➔ [Initializing Network Settings](#)

D: Change Password...

Changes the password specified for the printer.

- ➔ [Change Administrator Password](#)

E: Set up device by using web browser

Check the printer information or perform settings in detail on the web page.

➤➤➤ Note

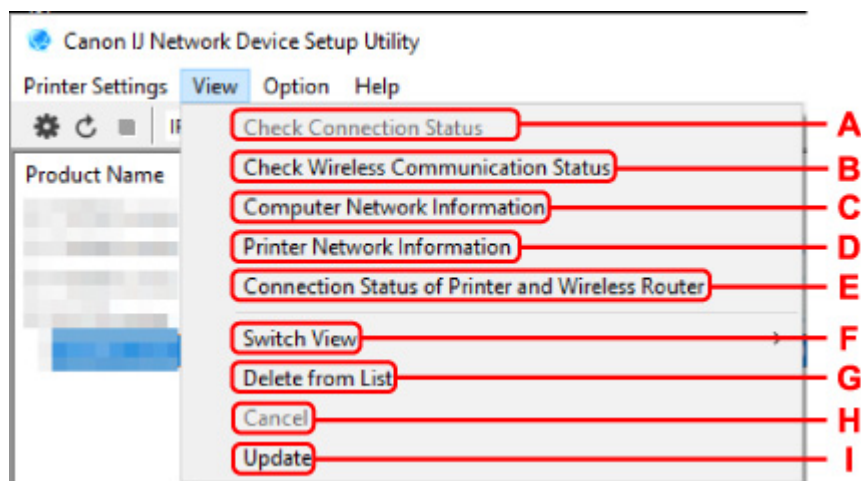
- You can use this function on the following the OS and the web browser.
OS: Windows 10/Windows 8.1/Windows 7 SP1 or later
Web browser: Internet Explorer 11 or later, Google Chrome, Mozilla Firefox
- Right-clicking a printer on the **Canon IJ Network Device Setup Utility** screen also displays this item

F: Exit

Finishes IJ Network Device Setup Utility.

View Menu

This section describes the items displayed on the **View** menu.



A: Check Connection Status

If you cannot use a printer you used on the network before, compare the current network status with that when you can use the printer and check the difference.

➔ [Checking Network Setting Difference](#)

➤➤➤ Note

- Right-clicking a printer on the **Canon IJ Network Device Setup Utility** screen also displays this item.

B: Check Wireless Communication Status

Check Wi-Fi communication status.

➔ [Checking Wi-Fi Network Status](#)

➤➤➤ Note

- Right-clicking a printer on the **Canon IJ Network Device Setup Utility** screen also displays this item.

C: Computer Network Information

Check the computer network information.

➔ [Displaying Computer Network Information](#)

D: Printer Network Information

Check the printer network information.

➔ [Displaying Printer Network Information](#)

E: Connection Status of Printer and Wireless Router

Searches wireless routers and check the wireless router information (wireless channel, communication status, and signal strength) detected by the printer.

➔ [Checking Connection Status between Printer and Wireless Router](#)

F: Switch View

Switches the printer list between IPv4 printers and IPv6 printers. For some models, you can list USB connected printers.

▶▶▶ Note

- Right-clicking a printer on the **Canon IJ Network Device Setup Utility** screen also displays this item.

G: Delete from List


Deletes the selected printer from the printer list temporarily.

Selecting **Update** will detect the deleted printer if it exists on the network.

H: Cancel

Cancels printer search.


▶▶▶ Note

- You can also cancel printer search by clicking the  icon.

I: Update

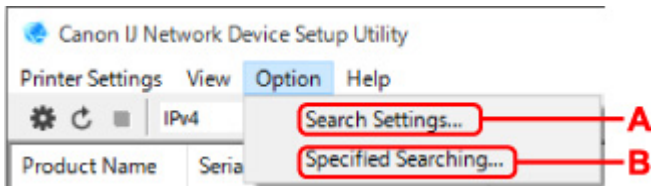
Searches printers again.

▶▶▶ Note

- You can also search printers again by clicking the  icon.

Option Menu

This section describes the items displayed on the **Option** menu.



A: Search Settings...

Specifies criteria for printer search.

➔ [Setting Criteria for Printer Search](#)

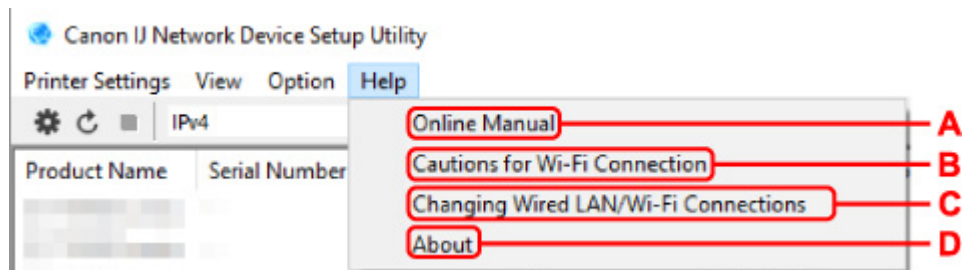
B: Specified Searching...

Searches the printer by an IP address or host name.

➔ [Searching Specific Printer](#)

Help Menu

This section describes the items displayed on the **Help** menu.



A: Online Manual

Displays this guide.

B: Cautions for Wi-Fi Connection

Displays the caution message for Wi-Fi connection.

C: Changing Wired LAN/Wi-Fi Connections

Displays the message on changing LAN connection method (wired or wireless) for the selected printer.

▶▶▶ Note

- This item is displayed in a gray out status if **USB** is selected from the pulldown menu on the toolbar.

D: About

Displays IJ Network Device Setup Utility version information.

List of Models Which Does Not Support Diagnosis and Repair Function

The following models does not support "Diagnose and Repair" function of IJ Network Device Setup Utility.

- G4000 series
- PRO-500 series
- PRO-1000 series
- MB2100 series
- MB2700 series
- MB5100 series
- MB5400 series
- iB4100 series
- PRO-520
- PRO-540
- PRO-540S
- PRO-560
- PRO-560S
- PRO-2000
- PRO-4000
- PRO-4000S
- PRO-6000
- PRO-6000S
- TS9000 series
- TS8000 series
- TS6000 series
- TS5000 series
- MG3000 series
- E470 series

List of Models Which Does Not Support IPv6 Configuration via USB Connection

For the following models, you can perform settings only for IPv4 using IJ Network Device Setup Utility. (You cannot perform settings for IPv6.)

- iB4100 series
- MG3000 series
- E470 series
- G4000 series
- TS5000 series
- TS6000 series
- TS8000 series
- TS9000 series
- TR8500 series
- TR7500 series
- TS9100 series
- TS8100 series
- TS6100 series
- TS5100 series
- TS3100 series
- E3100 series
- TS300 series
- E300 series
- TR8580 series
- TS9180 series
- TS8180 series
- TS6180 series
- TR8530 series
- TR7530 series
- TS8130 series
- TS6130 series
- XK70 series
- XK50 series
- G4010 series
- G3010 series
- TR4500 series
- E4200 series
- TS6200 series
- TS6280 series
- TS6230 series
- TS8200 series
- XK80 series
- TS8280 series
- TS8230 series
- TS9500 series
- TS9580 series

- TR9530 series
- TS3300 series
- E3300 series

Other Network Information

- ▶ **Technical Terms**
- ▶ **Restrictions**
- ▶ **Firewall**
- ▶ **List of Devices Which May Interfere with Wi-Fi Communication**

Technical Terms

In this section, technical terms used in the manual are explained.

- ➔ [A](#)
- ➔ [B](#)
- ➔ [C](#)
- ➔ [D](#)
- ➔ [E](#)
- ➔ [F](#)
- ➔ [H](#)
- ➔ [I](#)
- ➔ [K](#)
- ➔ [L](#)
- ➔ [M](#)
- ➔ [O](#)
- ➔ [P](#)
- ➔ [R](#)
- ➔ [S](#)
- ➔ [T](#)
- ➔ [U](#)
- ➔ [W](#)

A

- **Ad-hoc**

Client computer and printer setting where wireless communication occurs on a peer-to-peer basis, i.e., all clients in with the same network name (SSID) communicate directly with each other. No wireless router is required. This printer does not support ad-hoc communication.

- **Admin Password**

Administrator password in IJ Network Device Setup Utility to restrict access to network users. It must be entered to access the printer and change printer settings.

- **AES**

An encryption method. It is optional for WPA. Strong cryptographic algorithm adopted within U.S. government organizations for information processing.

- **Authentication Method**

The method that a wireless router uses to authenticate a printer through a Wi-Fi. The methods are agreeable each other.

For WPA/WPA2, authentication method is PSK.

B

- **Bonjour**

A service to detect the connectable devices on a network automatically.

C

- **Channel**

Frequency channel for wireless communication. In the infrastructure mode, the channel is automatically adjusted to match that set to the wireless router. This printer supports channels 1 to 13. (Channels 12 and 13 are not supported depending on the country or region of purchase.) Note that the number of channels that can be used for your Wi-Fi varies depending on the region or country.

D

- **Default Gateway**

A relay device to connect to another network such as a router or a computer.

- **Default router address**

A default IP address set for a router.

- **DHCP server functionality**

The router assigns an IP address automatically whenever the printer or the personal computer on a network starts up.

- **DHCPv6**

A protocol to assign necessary information automatically when a computer connects to network. DHCPv6 can be used when IPv6 is enabled.

- **DNS server**

A server that converts device names into IP addresses. When specifying IP addresses manually, specify the addresses of both a primary and a secondary server.

E

- **Easy wireless connect (Cableless setup)**

Specifies a wireless router settings using a device (e.g. smartphone) directly without using a wireless router.

F

- **Firewall**

It is a system that prevents an unlawful computer access in the network. To prevent, you can use the firewall function of a broadband router, the security software installed in the computer, or operation system for computer.

H

- **Host name**

A name for a computer or printer on network so that it can be recognized easily. Single-byte alphanumeric characters are used generally.

I

- **IEEE802.11b**

International standard for Wi-Fi using the 2.4 GHz frequency range with a throughput of up to 11 Mbps.

- **IEEE802.11g**

International standard for Wi-Fi using the 2.4 GHz frequency range with a throughput of up to 54 Mbps. Compatible with 802.11b.

- **IEEE802.11n**

International standard for Wi-Fi using the 2.4 GHz and 5 GHz frequency ranges. Even when using two or more antennas simultaneously or obtaining a bigger transfer rate than before by using multiple communication channels at the same time, the transmission speed may be influenced by the connected apparatus.

At the maximum transfer rate of 600 Mbps, it is possible to communicate with multiple computer terminals within a dozen or so metre radius.

Compatible with 802.11b and 802.11g.

- **Infrastructure**

One of the wireless communication methods. Wireless communication devices (e.g. computer or printer) are connected to the network via a wireless router.

- **IP Address**

A unique number with four parts separated by dots. Every network device that is connected to the Internet has an IP address. Example: 192.168.0.1

An IP address is usually assigned by a wireless router or a DHCP server of the router automatically.

- **IPv4/IPv6**

They are internet-layer protocol used on the internet. IPv4 uses 32-bit addresses and IPv6 uses 128-bit addresses.

K

- **Key Format**

Select either **ASCII** or **Hex** as the WEP key format. The character that can be used for the WEP key differs depending on the selected key formats.

- ASCII

Specify with a 5 or 13-character string that can include alphanumeric and underscore "_" characters. It is case-sensitive.

- Hex

Specify a 10-digit or 26-digit string that can contain hexadecimal (0 to 9, A to F, and a to f).

- **Key Length**

Length of the WEP key. Select either 64 bits or 128 bits. Longer key length allows you to set a more complex WEP key.

L

- **Link local address**

An IP address generated automatically from a specific prefix (information of current network: fe80::) and an interface identifier generated from printer's MAC address.

- **Link Quality**

The status of the connection between the wireless router and the printer excluding noise (interference) is indicated with a value from 0 to 100%.

- **LPR**

A platform-independent printing protocol used in TCP/IP networks. It does not support bidirectional communication.

M

- **MAC Address**

Also known as the physical address. A unique and permanent hardware identifier that is assigned to network devices by its manufacturer. MAC addresses are 48 bits long and are written as a hexadecimal number separated by colons, i.e., 11:22:33:44:55:66.

O

- **Operation Status**

Indicates the status on whether the printer can be used.

P

- **Prefix length**

The number of bits on the network part of an IP address. The number of bits is 8 bit to 24 bit for IPv4, and 64 bit for IPv6.

- **Proxy server**

A server that links a LAN-connected computer to the Internet. When using a proxy server, specify the address and the port number of the proxy server.

- **PSK**

An encryption method employed by WPA/WPA2.

R

- **Router**

A relay device to connect to another network.

S

- **Signal Strength**

The strength of the signal received by the printer from the wireless router is indicated with a value from 0 to 100%.

- **Network name (SSID)**

Unique label for Wi-Fi. It is often represented such as a network name or a wireless router name. network name (SSID) distinguishes one Wi-Fi from another to prevent interference.

The printer and all clients on a Wi-Fi must use the same network name (SSID) in order to communicate with each other. The network name (SSID) can be up to 32 characters long, and is made up of alphanumeric characters. The network name (SSID) may also be referred to by its network name.

- **Stealth**

In the stealth mode, a wireless router hides itself by not broadcasting its network name (SSID). The client must specify the network name (SSID) set to the wireless router to detect it.

- **Stateful address**

An IPv6 address acquired from a DHCP server using DHCPv6.

- **Stateless address**

A tentative IPv6 address generated automatically using a prefix included in RA (Router Advertisement) and a MAC address. An IPv6 address is generated in an environment where a DHCP server is not available.

- **Subnet Mask**

IP address has two components, the network address and the host address. Subnet Mask used to calculate the Subnet Mask address from the IP address. A Subnet Mask is usually assigned by a wireless router or a DHCP server of the router automatically.

Example:

IP Address: 192.168.127.123

Subnet Mask: 255.255.255.0

Subnet Mask Address: 192.168.127.0

T

- **TCP/IP**

Suite of communications protocols used to connect hosts on the Internet or the LAN. This protocol allows different terminals to communicate with each other.

- **TKIP**

An encryption protocol employed by WPA/WPA2.

U

- **USB**

Serial interface designed to enable you to "hot-swap" devices, i.e., by plugging and unplugging them without turning off the power.

W

- **WCN (Windows Connect Now)**

Users running Windows Vista or later can obtain the setting information directly via wireless network (WCN-NET).

- **WEP/WEP Key**

An encryption method employed by IEEE 802.11. Shared security key used to encrypt and decrypt data sent over wireless networks. This printer supports key length of 64 bits or 128 bits, key format of ASCII code or Hexadecimal, and key number of 1 to 4.

- **Wi-Fi**

International association that certifies interoperability of Wi-Fi products based on the IEEE 802.11 specification.

This printer is a Wi-Fi authorized product.

- **Wireless Direct**

The printer is used as a wireless router to connect external wireless communication devices (e.g. computers, smartphones, or tablets) in an environment where no wireless router is available. You can connect up to 5 devices to the printer using Wireless Direct.

- **Wireless LAN**

A network that, instead of being connected by physical wires, is connected by a wireless technology, such as Wi-Fi.

- **Wireless Router**

A wireless transceiver or base station that receives information from wireless clients/the printer and rebroadcasts it. Required in an infrastructure network.

- **WPA**

Security framework announced by the Wi-Fi Alliance in October 2002. The security has been strengthened more than WEP.

- Authentication

WPA defines the following authentication methods: PSK that can be used without an authentication server, plus WPA-802.1x that do require an authentication server.

This printer supports WPA-PSK.

- Passphrase

This encrypted key is used to perform WPA-PSK authentication.

The password should be a string of 8 to 63 alphanumeric characters or a 64-digit hexadecimal value.

- **WPA2**

Security framework released by the Wi-Fi Alliance in September 2004 as a later version of WPA. Provides a stronger encryption mechanism through Advanced Encryption Standard (AES).

- Authentication

WPA2 defines the following authentication methods: PSK that can be used without an authentication server, plus WPA2-802.1x that do require an authentication server.

This printer supports WPA2-PSK.

- Passphrase

This encrypted key is used to perform WPA2-PSK authentication.

The password should be a string of 8 to 63 alphanumeric characters or a 64-digit hexadecimal value.

- **WPS (Wi-Fi Protected Setup)**

WPS is a standard for easy and secure establishment of a wireless network.

There are 2 primary methods used in the Wi-Fi Protected Setup:

PIN entry: a mandatory method of setup for all WPS certified devices

Push button configuration (PBC): an actual push button on the hardware or through a simulated push button in the software.

Restrictions

If you use a printer over the Wi-Fi, we highly recommend you perform security settings for Wi-Fi network using WPA/WPA2 from the viewpoint of security. Wireless communication with a product that does not comply with the Wi-Fi standard cannot be guaranteed.

Connecting with too many computers may affect the printer performance, such as printing speed.

If you use a printer with Wireless Direct, you cannot perform the following settings:

- Specifying an IP address manually
- Enabling/disabling IPv6

Firewall

A firewall is a function of the security software installed in the computer or operation system for computer, and is a system that is designed to prevent unauthorized access to a network.

Precautions When Firewall Function is Enabled

- A firewall function may limit communications between a printer and a computer. This may disable printer setup and communications.
- During the printer setup, you may be prompted to enable or disable communications, depending on the firewall function of the security software or operation system. If so, choose to enable communications.
- When using IJ Network Device Setup Utility, you may be prompted to enable or disable communications, depending on the firewall function of the security software. If so, choose to enable communications.
- If you cannot set up the printer, temporarily disable the firewall function of the security software or operation system.

▶▶▶ Important

- If you disabled the firewall function, disconnect your network from the Internet.

- Some applications (like the network configuration software) override firewall settings. Check the application's settings beforehand.
- If the printer you use is set to **Get IP address automatically**, the IP address changes every time the printer connects to the network. This may disable printer setup and communications, depending on the firewall settings. In this case, either change the firewall settings or assign a fixed IP address to the printer. An IP address can be set using IJ Network Device Setup Utility.

➔ [Performing/Changing Wired LAN Connection \(Ethernet Cable\) Settings](#)

➔ [Performing/Changing Wi-Fi Settings](#)

When assigning a fixed IP address to the printer, you will need to specify an IP address with which the computer can communicate.

▶▶▶ Note

- For the operation system firewall settings or the security software firewall settings, refer to the instruction manual of the computer or software, or contact its manufacturer.

List of Devices Which May Interfere with Wi-Fi Communication

While using the printer via Wi-Fi, the following devices near the printer or wireless router may cause radio frequency interference and affects connection between the printer and wireless router. Radio frequency interference may cause sending print jobs or printing speed to slow down.

- Microwave oven
- Baby monitor
- Wireless mouse
- Wireless keyboard
- Wireless earphone/headphones
- Wireless camera (e.g. security camera)

We recommend you take measures below to avoid radio frequency interference.

- Place the devices above as far away from the printer or wireless router as possible.
- Turn the devices off and stop using them temporarily.

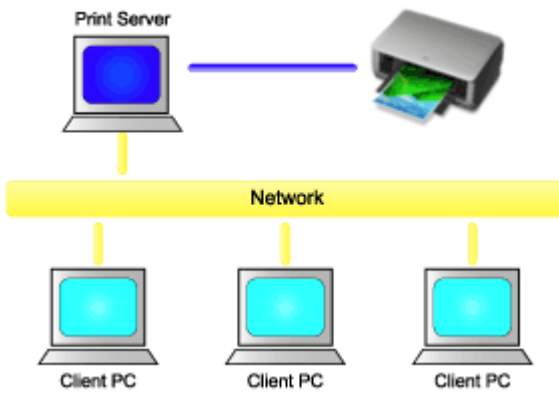
Cannot Find Printer Connected via USB

In Windows 7, if Windows update starts during detecting the printer connected via USB, or if you start detecting the printer while Windows update is in progress, it may take a while to find the printer.

Wait for a while. This is not a malfunction.

Sharing the Printer on a Network (Windows)

When computers are used in a network environment, documents can be printed from multiple computers that share a single printer.



- [Setting Up a Shared Printer](#)

This section describes how to set up the print server and the client.

►►► Note

- The Windows versions of the computers connected to the network do not necessarily have to be the same.

Related Topic

- ➔ [Restrictions on Printer Sharing](#)

Setting Up a Shared Printer

On the print server, set up sharing of the printer driver. Then from the client, set up the connection to the print server.

1. [Install the printer driver](#) on the print server system

2. Display the **Devices and Printers** window

Select the **Control Panel** -> **Hardware and Sound (Hardware)** -> **Devices and Printers**.
The **Devices and Printers** window is displayed.

3. Click the icon for the model name of printer to be shared

Press the Alt key, and from the displayed **File** menu, select **Printer properties** -> **Sharing** tab.

»» Important

- When starting up the software and performing install or uninstall, a confirmation or warning dialog box may appear.
This dialog box appears when administrative rights are required to perform a task.
When you are logged on to an administrator account, click **Yes** (or **Continue**, **Allow**) to continue.
Some applications require an administrator account to continue. In such cases, switch to an administrator account, and restart the operation from the beginning.

4. Set sharing

On the **Sharing** tab, check (or select) **Share this printer**, set the shared name as necessary, and then click **OK**.

5. If the print server and the client have different architectures (32 bit or 64 bit), install an additional driver

1. Display the **Devices and Printers**, **Printers**, or **Printers and Faxes** window.
2. Select the printer icon, click **Print server properties**, and select the **Drivers** tab.
3. Click **Add...**
4. When the **Add Printer Driver Wizard** window is displayed, click **Next**.
5. If the print server has a 32-bit architecture, select **x64**. If the print server has a 64-bit architecture, select **x86**. Then click **Next**.
6. Click **Have Disk...**
7. In the **Install From Disk** window, open the "Driver" folder of the downloaded printer driver, specify the "inf" file, and click **OK**.

»» Note

- If the printer server is 32-bit, specify it as "xxxxxxx3.INF". If it is 64-bit, specify it as "xxxxxxx6.INF".

8. Select the printer to be used, and click **Next**.

»» Note

- If an error message is displayed, select the other printer.

9. Click **Finish**

The setup on the print server system is complete. Next, set up the client systems.

6. On the client, open Explorer, and double-click the icon of the printer to be shared

7. Follow the window instructions, and install the printer driver

The setup on the client system is complete.

Even when you perform the setup on a different client, follow the same steps 6 and 7.

Restrictions on Printer Sharing

These are restrictions that apply when you are using a printer in a network environment. Check the restrictions for the environment you are using.

Restriction on setting up printer sharing

- If "ntprint.inf" is requested when you install the driver from **Add Printer**, specify the file as follows:
 1. Start Explorer on the print server and on the client with the different architecture, paste the following path in the address bar, and press Enter on the keyboard:
%windir%\system32\driverstore\
 2. Right-click the **FileRepository** folder, and click **Properties**.
 3. On the **Sharing** tab, click **Share**.
 4. In the message window displayed on the print server, specify "ntprint.inf_xxxxxxx" in the folder that was shared in step 3, and click **OK**.
If there are multiples copies, select the file with the latest update date and time.

Restrictions on sharing and using a printer

- A print completion message may be displayed. To disable the message display, follow the procedure below.
 1. In the **Control Panel -> Hardware and Sound (Hardware) -> Devices and Printers** window of the client system, select the printer, and click **Print server properties** on the command bar.
 2. Uncheck **Show informational notifications for network printers** on the **Advanced** tab, and then restart the computer.
- The bi-directional communication function is disabled and the correct printer status may not be recognized.
If a client user opens the printer driver properties and then clicks **OK** with the **Enable bidirectional support** check box cleared on the **Ports** tab, the bidirectional communication function of the print server may also be disabled.
In this case, check **Enable bidirectional support** check box on both the print server system and the client system.
- When you print from a client system, you cannot use Canon IJ Preview.
- When the functions on the **Maintenance** tab cannot be set properly from a client system, they may be grayed out. In this case, change the settings from the print server.
When you change the settings of the print server, you should delete the icon of the shared printer from the client system, and then specify the shared settings again in the client system.
- If the same driver installed on the print server is also installed on the client, the network printer icon may be created automatically.
- If an error occurs when you print a document on a shared printer from a client, the error message of the Canon IJ status monitor is displayed on both the client and the print server. If a document is printed out normally, the Canon IJ status monitor is displayed only on the client.

Adjustments for Better Print Quality

- [Aligning the Print Head](#)
- [Aligning the Print Head Manually](#)

Aligning the Print Head

If printed ruled lines are misaligned or print results are otherwise unsatisfactory, adjust the print head position.

▶▶▶ Note

- We recommend using the same type of paper for print head alignment as for printing.
- If the remaining ink level is low, the print head alignment sheet will not be printed correctly.

[Replace the ink tank](#) whose ink is low.

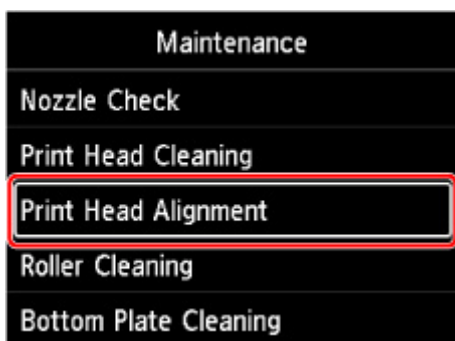
You need to prepare: two sheets of A4 or Letter-sized paper

1. [Check that printer is turned on.](#)
2. Select **Maintenance** on HOME screen.

➔ [LCD and Operation Panel](#)

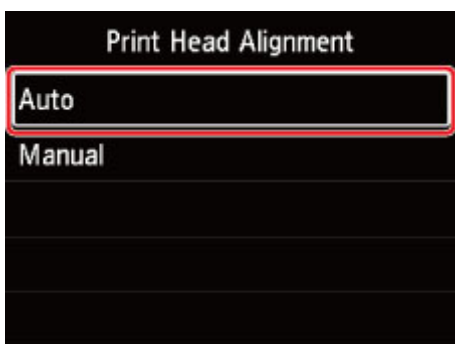
The **Maintenance** screen will appear.

3. Select **Print Head Alignment**.



The **Print Head Alignment** screen will appear.

4. Select **Auto**.



The confirmation screen will appear.

5. Select Yes.

The media type selection screen appears.

6. Select paper to use.

7. Load the prepared paper in the paper source specified in the message.

If the paper source is the manual feed tray, load one sheet of paper at a time.

- ➔ [Loading Paper in the Top Feed](#)
- ➔ [Loading Paper in the Manual Feed Tray](#)

8. Select OK.

The print head alignment sheet is printed, and the print head is aligned automatically.

This takes about 4 to 5 minutes.

▶▶▶ Note

- If automatic print head alignment fails, an error message appears on the LCD.
 - ➔ [When Error Occurred](#)

9. When the completion message appears, select OK.

▶▶▶ Note

- If the print results are still not satisfactory after adjusting the print head position as described above, [align the print head manually](#).

Aligning the Print Head Manually

Try aligning the print head manually after automatic print head alignment if printing results are not as expected, as when printed ruled lines are misaligned.

▶▶▶ Note

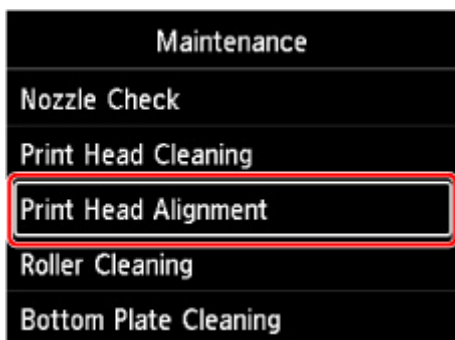
- Before adjusting the print head position manually, adjust the print head position automatically. For details on adjusting the print head position automatically, see [Aligning the Print Head](#).
- We recommend using the same type of paper for print head alignment as for printing.

You need to prepare: a sheet of A4 or Letter-sized paper

1. [Check that printer is turned on.](#)
2. Select **Maintenance** on HOME screen.
➔ [LCD and Operation Panel](#)

The **Maintenance** screen will appear.

3. Select **Print Head Alignment**.



The **Print Head Alignment** screen will appear.

4. Select **Manual**.



The confirmation screen will appear.

5. Select **Yes**.

▶▶▶ **Note**

- When the automatic print head alignment has not been performed, a message will appear. In this case, select **Yes**, press the **OK** button, then [perform the automatic print head alignment](#).

The media type selection screen appears.

6. Select paper to use.

7. Load the prepared paper in the paper source specified in the message.

- ➔ [Loading Paper in the Top Feed](#)
- ➔ [Loading Paper in the Manual Feed Tray](#)

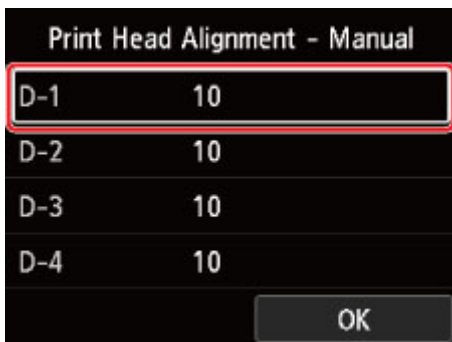
8. Select **OK**.

The print head alignment pattern will be printed.

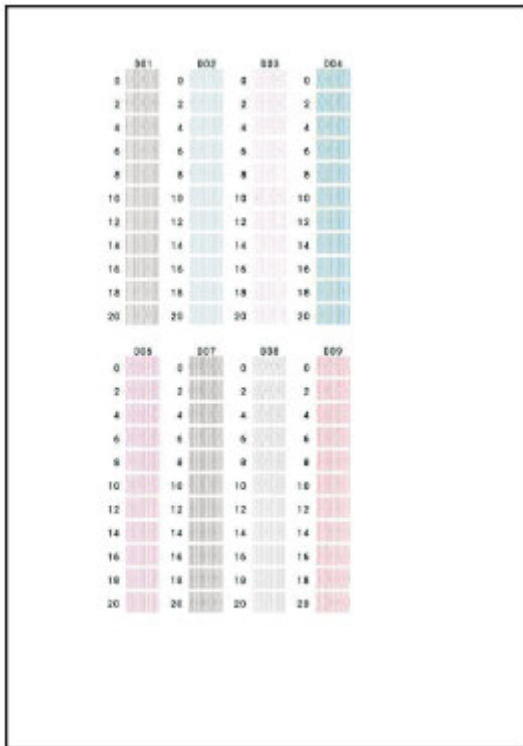
9. When **Did the patterns print correctly?** appears, make sure pattern was printed correctly, and if so, select **Yes**.

10. Check message and select **Next**.

The input screen for head position alignment values is displayed.

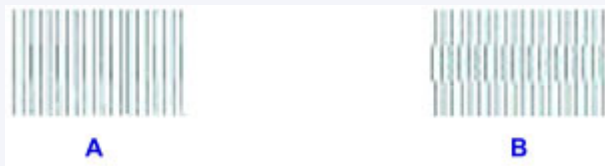


11. Look at the pattern and select the number of the pattern in each column that has straight lines.



►►► **Note**

- Look at the pattern and pick the setting that produces the least warped vertical straight lines.



A: Vertical straight lines

B: Warped vertical straight lines

12. Repeat this procedure until you finish inputting a pattern number in all columns, select **OK**.

13. When the completion message appears, select **OK**.

Maintenance and Consumables

- **Maintenance Procedure**
- **Ink Tanks**
- **Print Head**
- **Performing Maintenance Functions from Your Computer (Windows)**
- **Performing Maintenance Functions from Your Computer (macOS)**
- **Cleaning the Printer**
- **Other Maintenance**

Maintenance Procedure

If print results are blurred, colors are not printed correctly, or print results are unsatisfactory (e.g. misaligned printed ruled lines), perform the maintenance procedure below.

▶▶▶ Important

- Do not rinse or wipe the print head and ink tank. This can cause trouble with the print head and ink tank.

▶▶▶ Note

- Check the ink status.
 - ➔ [Checking Ink Status on the LCD](#)
- For Windows, increasing the print quality in the printer driver settings may improve the print result.
 - ➔ [Changing the Print Quality and Correcting Image Data](#)

When the Print Results Are Blurred or Uneven:

Step1 Print the nozzle check pattern.

From the printer

- ➔ [Printing the Nozzle Check Pattern](#)

From the computer

- For Windows:
 - ➔ [Printing a Nozzle Check Pattern](#)
- For macOS:
 - ➔ Printing a Nozzle Check Pattern

Step2 [Examine the nozzle check pattern.](#)

If there are missing lines or horizontal streaks in the pattern:



Step3 Clean the print head.

From the printer

- ➔ [Cleaning the Print Head](#)

From the computer

- For Windows:
 - ➔ [Cleaning the Print Heads](#)
- For macOS:
 - ➔ Cleaning the Print Heads

After cleaning the print head, print and examine the nozzle check pattern: ➡ [Step 1](#)

If the problem is not resolved after performing from step 1 to step 3 twice:



Step 4 Clean the print head deeply.

From the printer

➡ [Deep Print Head Cleaning](#)

From the computer

- For Windows:

➡ [Cleaning the Print Heads](#)

- For macOS:

➡ [Cleaning the Print Heads](#)

➤➤ Note

- When you have performed the procedure until step 4 and the problem has not been resolved, turn off the power and clean the print head deeply again after 24 hours.

If the problem is still not resolved, the print head may be damaged. Contact your nearest Canon service center to request a repair.

When the Print Results Are Not Even such as the Ruled Lines Are Misaligned:

Step [Align the print head.](#)

Ink Tanks

- **Ink**
- **Replacing Ink Tanks**
- **Checking Ink Status on the LCD**

Ink

Ink is used for various purposes other than printing.

Ink may be used for purposes other than printing.

When you use the Canon printer for the first time after you install the bundled ink tanks, the printer consumes a small amount of ink in the amount to enable printing by filling the nozzles of the Print Head with ink. For this reason, the number of sheets that can be printed with the first ink tanks is fewer than the succeeding ink tanks.

The printing costs described in the brochures or websites are based on the consumption data from not the first ink tank /ink cartridge but the succeeding ink tank /ink cartridge.

Ink is sometimes used to maintain the optimal printing quality.

To keep printer's performance, Canon printer performs cleaning automatically according to its condition. When the printer performs cleaning, a small amount of ink is consumed. In this case, all colors of ink may be consumed.

[Cleaning function]

The cleaning function helps the printer to suck air bubbles or ink itself from the nozzle and thus prevents print quality degradation or nozzle clogging.

▶▶▶ Note

- Ink is consumed for print preparation operation that is periodically and automatically performed to keep printer's performance and for print head cleaning. Therefore, unused ink for printing may also be consumed.

Black-and-white printing uses color ink.

Black-and-white printing may use ink other than black ink depending on the type of printing paper or the settings of the printer driver. So, color ink is consumed even when printing in black-and-white.

▶▶▶ Note

- The printer uses pigment ink. Due to the nature of the pigment ink, the ink on the printed surface may be removed when being rubbed or scratched.

Replacing Ink Tanks

When remaining ink cautions or errors occur, the message will appear on the LCD to inform you of the error. In this state, the printer cannot print. Take appropriate action according to the message.

➔ [When Error Occurred](#)

▶▶▶ Important

- Prepare a new ink tank before you start replacing one.
- Replace the ink tank quickly so as not to leave the printer without an ink tank. The printer may be damaged if it is left without an ink tank, causing a problem such as clogging due to dried ink.

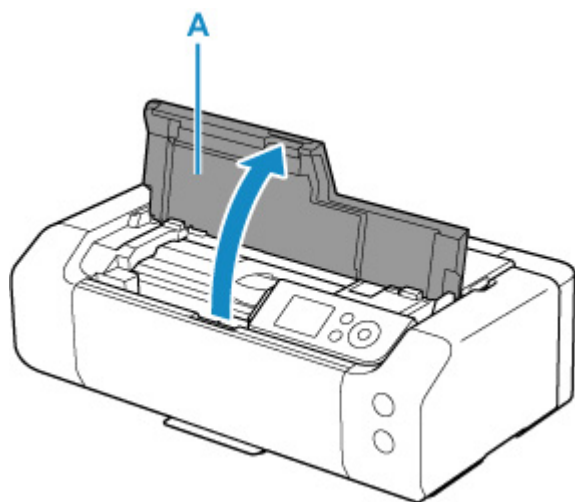
▶▶▶ Note

- If print results become faint or white streaks appear despite sufficient ink levels, see [Maintenance Procedure](#).
- For precautionary notes on handling ink tanks, see [Notes on ink tanks](#).

Replacing Procedure

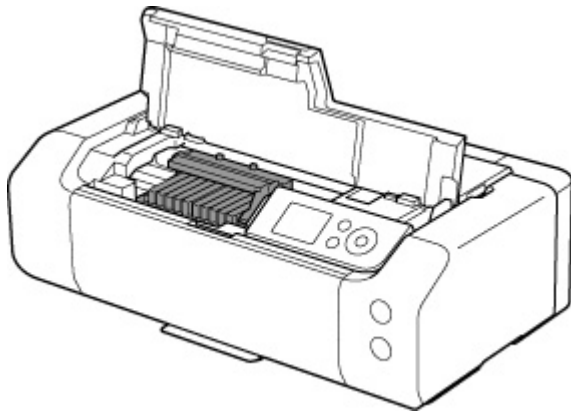
When you need to replace an ink tank, follow the procedure below.

1. [Check that printer is turned on.](#)
2. Open the top cover (A).



3. When message appears on LCD, press **Stop** button.
4. Select **OK**.

The print head holder moves to the replacement position.



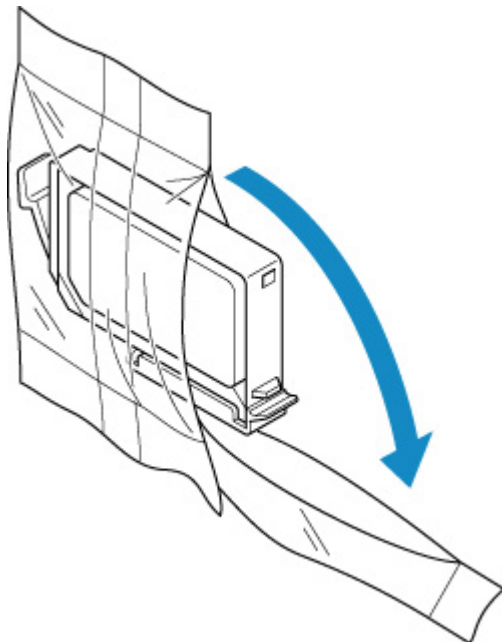
⚠ Caution

- Do not hold the print head holder to stop or move it forcibly. Do not touch the print head holder until it stops completely.

➤➤ Important

- Do not touch the metallic parts or other parts inside the printer.
- If the top cover is left open for more than 10 minutes, the print head holder moves to the right. In this case, close and reopen the top cover.

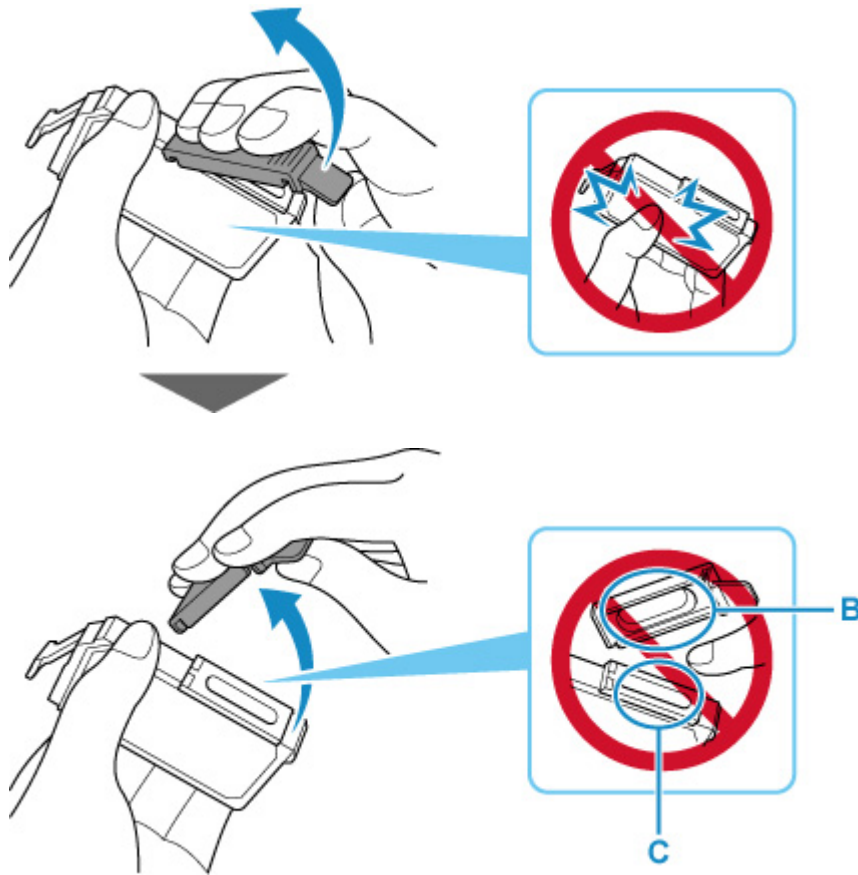
5. Take a new ink tank out of its package.



➤➤ Important

- Handle an ink tank carefully. Do not drop or apply excessive pressure to it.

6. Remove the orange protective cap (B) from the bottom of the ink tank as indicated in the figure below.

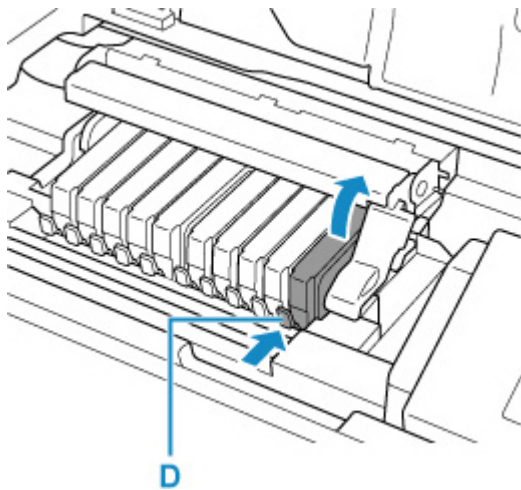


►►► Important

- Do not push the sides of the ink tank. If you push the sides of the ink tank, ink may splash.
- Do not touch the inside of the protective cap (B) or the open ink port (C). The ink may stain your hands if you touch them.
- Do not reattach the protective cap (B) once you have removed it. Discard it according to the local laws and regulations regarding disposal of consumables.

7. Remove the ink tank where the ink runs out.

Push the tab (D) and lift the ink tank to remove.



»» Important

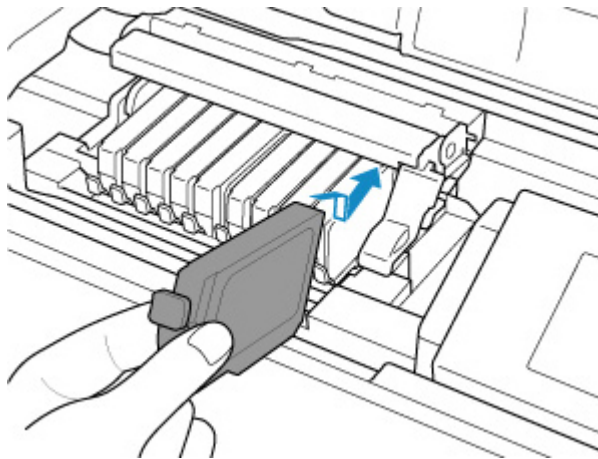
- Do not touch other parts besides the ink tanks.
- Handle the ink tank carefully to avoid staining of clothing or the surrounding area.
- Discard the empty ink tank according to the local laws and regulations regarding disposal of consumables.

»» Note

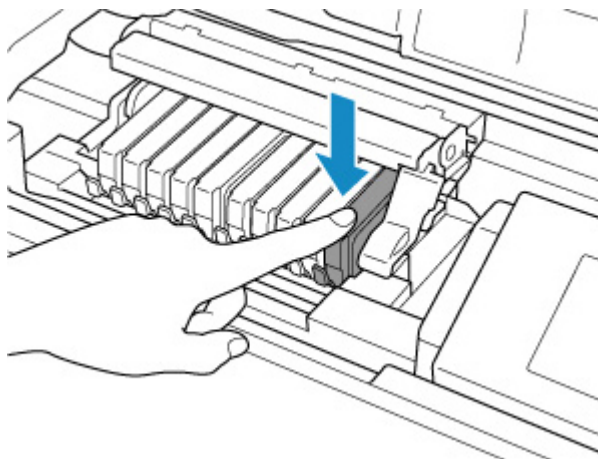
- Do not remove two or more ink tanks at the same time. Be sure to replace ink tanks one by one when replacing two or more ink tanks.

8. Insert the front end of the ink tank into the print head at a slant.

Make sure that the position of the ink tank matches the label.



9. Press on the top of the ink tank until the ink tank snaps firmly into place.



»» Important

- You cannot print if the ink tank is installed in the wrong position. Be sure to install the ink tank in the correct position according to the label on the print head holder.
- You cannot print unless all the ink tanks are installed. Be sure to install all the ink tanks.

10. Close the top cover.

The printer will automatically start mixing the ink. Wait until the printer stops making operating noise (it takes up to about 2 minutes or less).

▶▶▶ Note

- If the error message appears on the LCD after the top cover is closed, take appropriate action.
 - ➔ [When Error Occurred](#)
- When you start printing after replacing the ink tank, the printer starts cleaning the print head automatically. Do not perform any other operations until the printer completes the cleaning of the print head.
- If the print head is out of alignment, as indicated by misaligned printed ruled lines or similar symptoms, [align the print head](#).

Notes on ink tanks

▶▶▶ Important

- Use a new ink tank for replacement. Installing a used ink tank may cause the nozzles to clog. Furthermore, with such an ink tank, the printer will not be able to inform you when to replace the ink tank properly.
- Once an ink tank has been installed, do not remove it from the printer and leave it out in the open. This will cause the ink tank to dry out, and the printer may not operate properly when it is reinstalled. To maintain optimal printing quality, use an ink tank within six months of first use.

▶▶▶ Note

- Color ink may be consumed even when printing a black-and-white document or when black-and-white printing is specified. Every ink is also consumed in the standard cleaning and deep cleaning of the print head, which may be necessary to maintain the performance of the printer.

When an ink tank is out of ink, replace it immediately with a new one.

➔ [Ink](#)

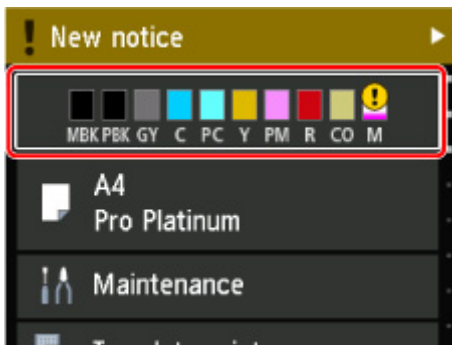
Checking Ink Status on the LCD

1. Make sure that the power is turned on, and display the HOME screen.

If the HOME screen is not displayed, press the **HOME** button.

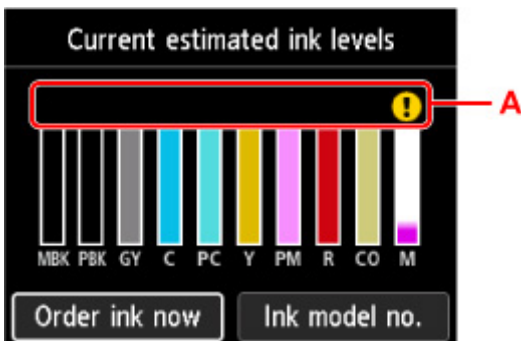
2. Select the ink status display area on the HOME screen, then press the **OK** button.

➔ [LCD and Operation Panel](#)



3. Check the ink status.

A symbol appears in the area A if there is any information about the remaining ink level.



- ! The ink is running low. Prepare a new ink tank.
- ✗ Ink has run out. Replace the ink tank with a new ink tank.
- ? This appears when remaining ink level is not known.

➤➤➤ Note

- The above screen shows estimated ink levels.
- To access the ink purchasing site, select **Order ink now** on this screen and display the QR code. Cost of connecting to Internet is to be born by the customer.
- Selecting **Ink model no.** displays the **Ink model number** screen for checking ink tank numbers.
- You can check the ink status on the computer screen.
 - ➔ [Checking the Ink Status from Your Computer](#) (Windows)
 - ➔ [Checking the Ink Status from Your Computer](#) (macOS)

Print Head

- **Printing the Nozzle Check Pattern**
- **Examining the Nozzle Check Pattern**
- **Cleaning the Print Head**
- **Deep Print Head Cleaning**

Printing the Nozzle Check Pattern

Print the nozzle check pattern to determine whether the ink ejects properly from the print head nozzle.

»» Note

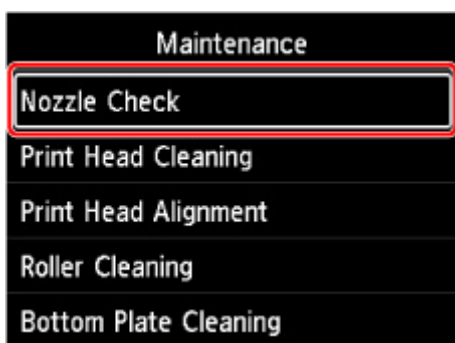
- If the remaining ink level is low, the nozzle check pattern will not be printed correctly. [Replace the ink tank](#) whose ink is low.

You need to prepare: a sheet of A4 or Letter-sized plain paper

1. [Check that printer is turned on.](#)
2. Load a sheet of A4 or Letter-sized plain paper in the top feed.
 - ➔ [Loading Paper in the Top Feed](#)
3. Select **Maintenance** on HOME screen.
 - ➔ [LCD and Operation Panel](#)

The **Maintenance** screen will appear.

4. Select **Nozzle Check**.



The confirmation screen will appear.

5. Select **Yes**.

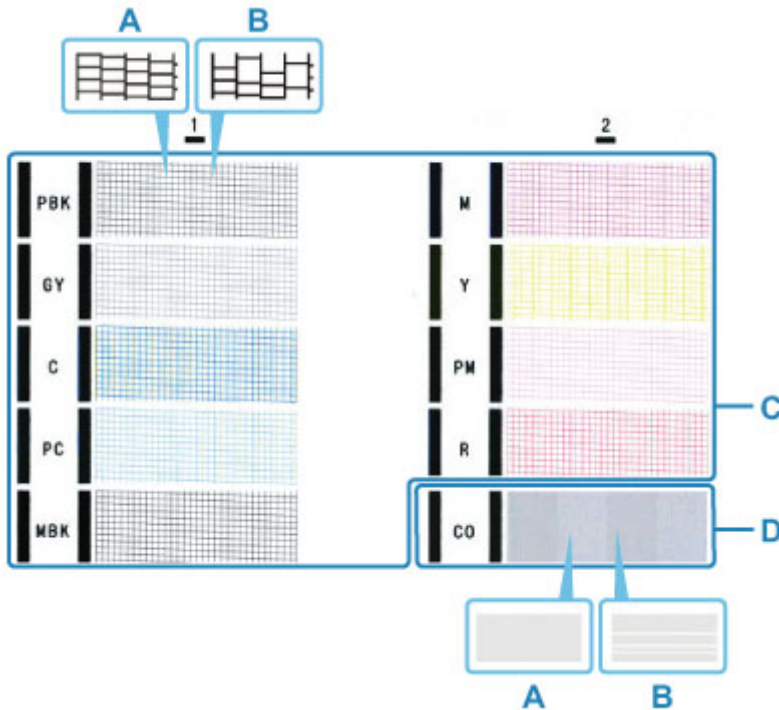
The nozzle check pattern will be printed and two pattern confirmation screens will appear on the LCD.

6. [Examine the nozzle check pattern.](#)

Examining the Nozzle Check Pattern

Examine the nozzle check pattern, and clean the print head if necessary.

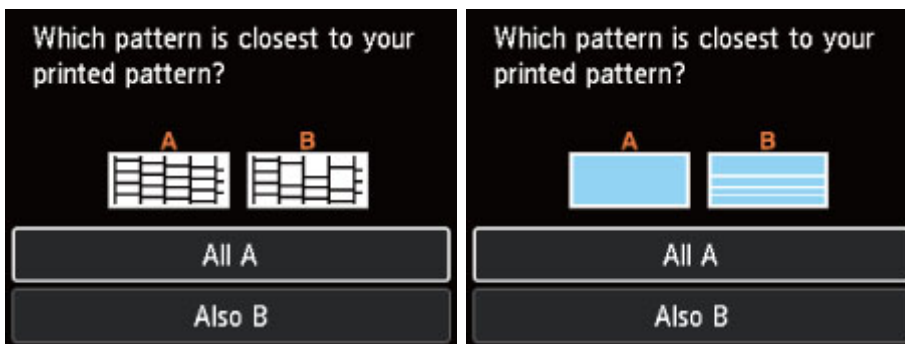
1. Check if there are missing lines in the pattern C or horizontal streaks in the pattern D.



A: No missing lines/No horizontal streaks

B: Lines are missing/Horizontal streaks are present

2. Select the pattern that is closer to the printed nozzle check pattern on the confirmation screen.



For A (no missing lines or no horizontal streaks) in both the pattern C and pattern D:

The cleaning is not required. Select **All A**, confirm the message, then select **OK**.

The screen will return to the **Maintenance** screen.

For B (lines are missing or horizontal streaks are present) in the pattern C or pattern D, or in both patterns:

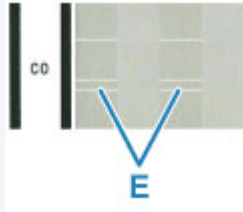
The cleaning is required. Select **Also B**, then select **Yes** on the cleaning confirmation screen.

Select an ink group containing missing lines or horizontal streaks to perform cleaning.

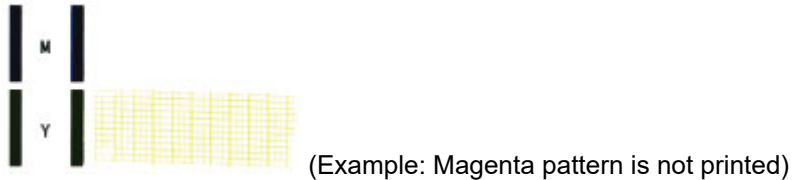
➔ [Cleaning the Print Head](#)

»» Note

- Because CO ink is colorless, its pattern is printed over the black pattern. Check for horizontal streaks (E) in the dark gray bands of the pattern.



If the pattern D or any color in the pattern C is not printed:



(Example: Magenta pattern is not printed)

The cleaning is required. Select **Also B**, then select **Yes** on the cleaning confirmation screen.

Select an ink group that is not printed to perform cleaning.

➔ [Cleaning the Print Head](#)

Cleaning the Print Head

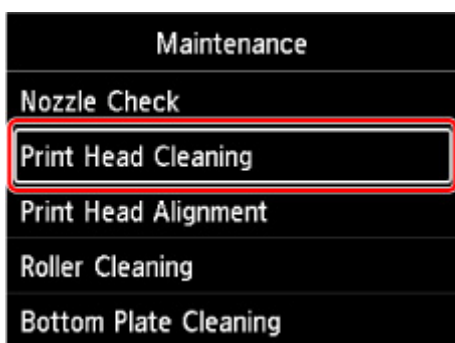
Clean the print head if lines are missing or if horizontal streaks are present in the printed nozzle check pattern. Cleaning unclogs the nozzles and restores the print head condition. Cleaning the print head consumes ink, so clean the print head only when necessary.

You need to prepare: a sheet of A4 or Letter-sized plain paper

1. [Check that printer is turned on.](#)
2. Load a sheet of A4 or Letter-sized plain paper in the top feed.
➔ [Loading Paper in the Top Feed](#)
3. Select **Maintenance** on HOME screen.
➔ [LCD and Operation Panel](#)

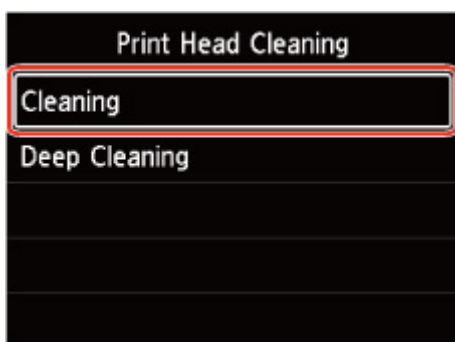
The **Maintenance** screen will appear.

4. Select **Print Head Cleaning**.



The **Print Head Cleaning** screen will appear.

5. Select **Cleaning**.



The **Cleaning** screen will appear.

6. Select ink group to be cleaned.

- **All colors**
- **Pattern 1:** PBK / GY / C / PC / MBK
- **Pattern 2:** M / Y / PM / R / CO

The confirmation screen will appear.

7. Select **Yes**.

The printer starts cleaning the print head.

Do not perform any other operations until the printer completes the cleaning of the print head. This takes about 2 to 3 minutes.

The pattern print confirmation screen will appear.

8. Select **Yes**.

The nozzle check pattern will be printed.

9. [Examine the nozzle check pattern](#).

Note

- If the problem is not resolved after cleaning the print head twice, [clean the print head deeply](#).

Deep Print Head Cleaning

If print quality does not improve by the standard cleaning of the print head, clean the print head deeply. Cleaning the print head deeply consumes more ink than the standard cleaning of the print head, so clean the print head deeply only when necessary.

You need to prepare: a sheet of A4 or Letter-sized plain paper

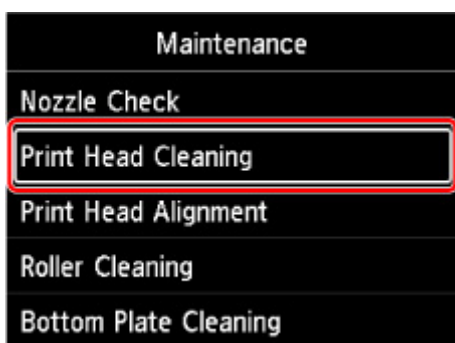
1. [Check that printer is turned on.](#)
2. Load a sheet of A4 or Letter-sized plain paper in the top feed.
➔ [Loading Paper in the Top Feed](#)

3. Select **Maintenance** on HOME screen.

➔ [LCD and Operation Panel](#)

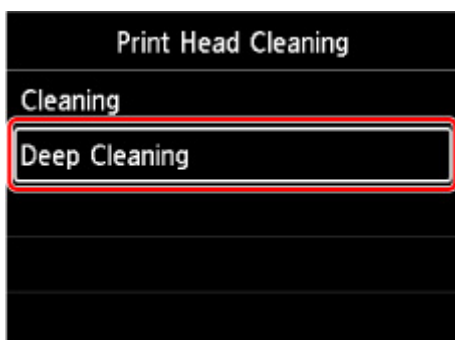
The **Maintenance** screen will appear.

4. Select **Print Head Cleaning**.



The **Print Head Cleaning** screen will appear.

5. Select **Deep Cleaning**.



The **Deep Cleaning** screen will appear.

6. Select ink group to be cleaned.

- **All colors**
- **Pattern 1:** PBK / GY / C / PC / MBK
- **Pattern 2:** M / Y / PM / R / CO

The confirmation screen will appear.

7. Select **Yes.**

The printer starts cleaning the print head deeply.

Do not perform any other operations until the printer completes the deep cleaning of the print head. This takes about 2 to 3 minutes.

The pattern print confirmation screen will appear.

8. Select **Yes.**

The nozzle check pattern will be printed.

9. When the completion message appears, select **OK.**

10. [Examine the nozzle check pattern](#).

If a particular color is not printed properly, [replace the ink tank](#) of that color.

If the problem is not resolved, turn off the power and clean the print head deeply again after 24 hours.

If the problem is still not resolved, the print head may be damaged. Contact your nearest Canon service center to request a repair.

Performing Maintenance Functions from Your Computer (Windows)

- **[Opening the Maintenance Tool \(Canon IJ Printer Assistant Tool\)](#)**
- **[Cleaning the Print Heads](#)**
- **[Printing a Nozzle Check Pattern](#)**
- **[Canon IJ Printer Assistant Tool Description](#)**

Opening the Maintenance Tool (Canon IJ Printer Assistant Tool)

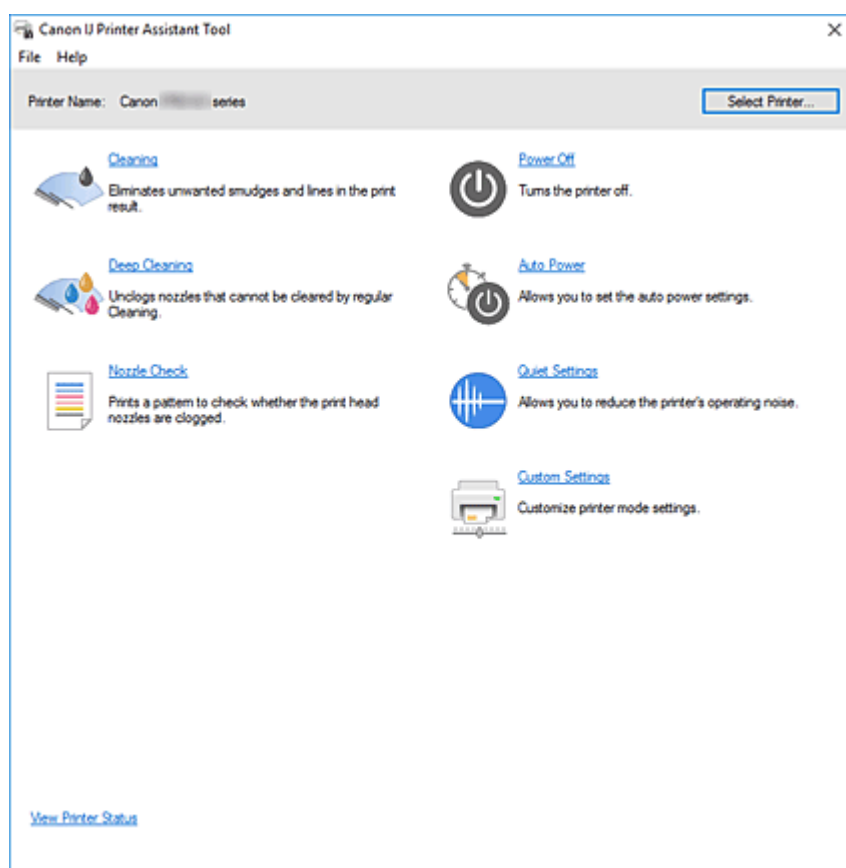
[Canon IJ Printer Assistant Tool](#) is an application software to perform printer maintenance or change the settings of the printer.

When printer driver is installed, Canon IJ Printer Assistant Tool is also installed.

To install only Canon IJ Printer Assistant Tool, access the Canon web site and download the software.

▶▶▶ Note

- For details on installing the printer driver, see "[Installing the Printer Driver.](#)"



How to start the Canon IJ Printer Assistant Tool

Canon IJ Printer Assistant Tool can be started in the following ways.

- Click **Maintenance and Preferences** icon in the **Maintenance** tab of the printer driver.
- From Windows **Start** menu, click (**All apps**, **Apps**, or **All Programs ->**) **Canon Utilities -> IJ Printer Assistant Tool**.

Related Topics

- ➔ [Cleaning the Print Heads](#)
- ➔ [Printing a Nozzle Check Pattern](#)
- ➔ [Managing the Printer Power](#)

- ➔ [Reducing the Printer Noise](#)
- ➔ [Changing the Printer Operation Mode](#)

Cleaning the Print Heads

The print head Cleaning function allows you to clear up clogged print head nozzles. Perform print head Cleaning if printing results are not satisfactory or if a specific color fails to print, even though there is enough ink.



Cleaning

1. Open [Canon IJ Printer Assistant Tool](#)

2. Click **Cleaning**

When the **Print Head Cleaning** dialog box opens, select the ink group for which Cleaning is to be performed.

Click **Initial Check Items** to display the items you need to check before performing Cleaning.

3. Perform Cleaning

Check that the printer is on and then click **Start**.

Print Head Cleaning starts.

4. Complete Cleaning

Click **OK** when the confirmation message is displayed.

The **Nozzle Check** dialog box will open.

5. Check the results

To check whether the print quality has improved, click **Print Check Pattern**. To cancel the check process, click **Cancel**.

If cleaning the head once does not resolve the print head problem, clean it once more.

»» Important

- **Cleaning** consumes a small amount of ink.
Cleaning the print head frequently will rapidly deplete your printer's ink supply. Perform Cleaning only when necessary.



Deep Cleaning

Deep Cleaning is more thorough than Cleaning. Perform Deep Cleaning when two **Cleaning** attempts do not resolve the print head problem.

1. Open [Canon IJ Printer Assistant Tool](#)

2. Click **Deep Cleaning**

When the **Deep Cleaning** dialog box opens, select the ink group for which Deep Cleaning is to be performed.

Click **Initial Check Items** to display the items you need to check before performing Deep Cleaning.

3. Perform Deep Cleaning

Check that the printer is on and then click **Start**.

Click **OK** when the confirmation message appears.

Print head Deep Cleaning starts.

4. Complete Deep Cleaning

Click **OK** when the confirmation message is displayed.

The **Nozzle Check** dialog box will open.

5. Check the results

To check whether the print quality has improved, click **Print Check Pattern**. To cancel the check process, click **Cancel**.

►►► Important

- **Deep Cleaning** consumes a larger amount of ink than **Cleaning**.
Cleaning the print head frequently will rapidly deplete your printer's ink supply. Perform Deep Cleaning only when necessary.

►►► Note

- If there is no sign of improvement after **Deep Cleaning**, turn off the printer, wait 24 hours, and then perform **Deep Cleaning** again. If there is still no sign of improvement, the ink may have run out or the print head may be worn. For details on the remedial action to be taken, see "[Ink Does Not Come Out](#)."

Related Topic

- ➔ [Printing a Nozzle Check Pattern](#)

Printing a Nozzle Check Pattern

The Nozzle Check function allows you to check whether the print head is working properly by printing a Nozzle Check pattern. Print the pattern if printing results are not satisfactory, or if a specific color fails to print.



Nozzle Check

1. Open [Canon IJ Printer Assistant Tool](#)

2. Click **Nozzle Check**

The **Nozzle Check** dialog box opens.

Click **Initial Check Items** to display the items that you need to check before printing the Nozzle Check pattern.

3. Load paper in the printer

Load one sheet of A4 size plain paper into the top feed.

4. Print a Nozzle Check pattern

Check that the printer is on and then click **Print Check Pattern**.

The Nozzle Check pattern will be printed.

Click **OK** when the confirmation message appears.

The **Pattern Check** dialog box opens.

5. Check the print result

Check the print result. If the print result is normal, click **Exit**.

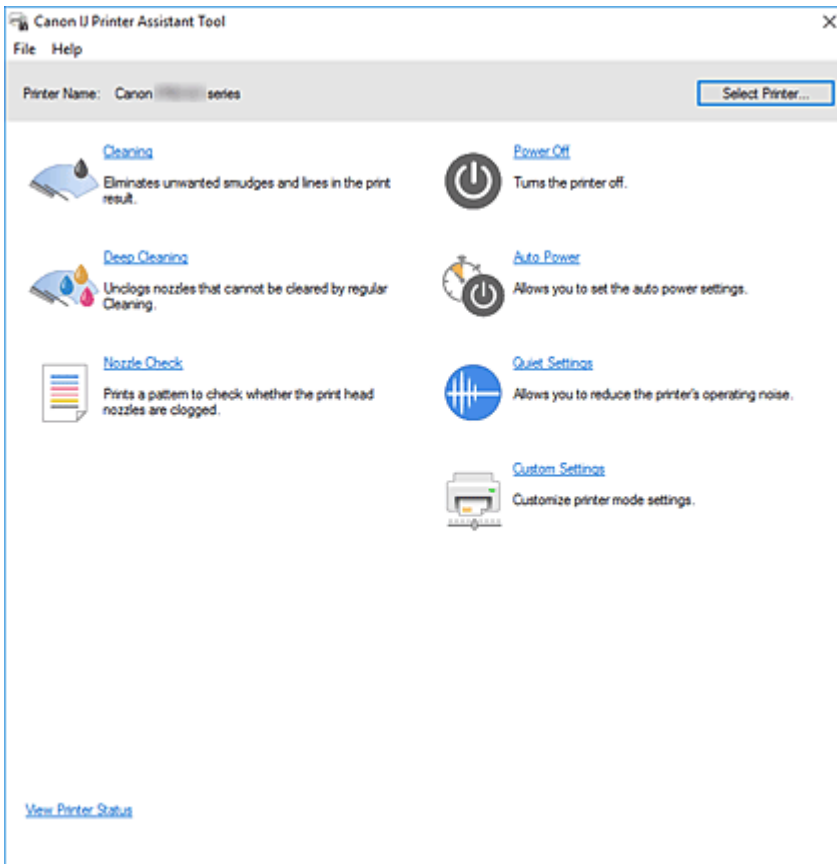
If the print result is smudged or if there are any unprinted sections, click **Cleaning** to clean the print head.

Related Topic

➔ [Cleaning the Print Heads](#)

Canon IJ Printer Assistant Tool Description

The Canon IJ Printer Assistant Tool allows you to perform printer maintenance or change the settings of the printer.



Cleaning

Performs print head Cleaning.

The print head Cleaning function allows you to clear up clogged print head nozzles.

Perform print head Cleaning if printing results are not satisfactory or if a specific color fails to print, even though there is enough ink.



Deep Cleaning

Performs Deep Cleaning.

Perform Deep Cleaning when two Cleaning attempts do not resolve the print head problem.

▶▶▶ Note

- **Deep Cleaning** consumes a larger amount of ink than **Cleaning**.
Cleaning the print heads frequently will rapidly deplete your printer's ink supply. Perform Cleaning only when necessary.

Ink Group

When you click **Cleaning** or **Deep Cleaning**, the **Ink Group** window is displayed.

Selects the ink group that you want to clean the print head for.

Click [Initial Check Items](#) to display the items that you need to check before you perform Cleaning or Deep Cleaning.



Nozzle Check

Prints a Nozzle Check pattern.

Perform this function if printing becomes faint or a specific color fails to print. Print a Nozzle Check pattern, and check whether the print head is working properly.

If the print result for a specific color is faint, or if there are any unprinted sections, click **Cleaning** to clean the print head.

To display a list of items that you should check before printing the Nozzle Check pattern, click [Initial Check Items](#).

Print Check Pattern

This function prints a pattern that allows you to check whether any of the ink nozzles are clogged.

Click **Print Check Pattern**. When the confirmation message is displayed, click **OK**. The **Pattern Check** dialog box is then displayed.

Left-side bitmap (good)

The print head nozzles are not clogged.

Right-side bitmap (bad)

The print head nozzles may be clogged.

Exit

Closes the **Pattern Check** dialog box.

Cleaning

Performs print head Cleaning.

Print head Cleaning removes any blockage in the print head nozzles.

Perform Cleaning when printing becomes faint, or if a specific color fails to print, even though all ink levels are sufficiently high.



Power Off

Turns off the printer from the Canon IJ Printer Assistant Tool.

Perform this function to turn off the printer when you cannot press the ON button (POWER button) on the printer because the printer is out of your reach.

You must press the ON button (POWER button) on the printer to turn the printer on again after clicking this button. When you use this function, you will not be able to turn the printer on from the Canon IJ Printer Assistant Tool.



Auto Power

Opens the [Auto Power Settings dialog box](#).

Specify settings for operating the printer power automatically. Perform this function if you want to change the auto power settings.

▶▶▶ Note

- If the printer is off or if communication between the printer and the computer is disabled, an error message may appear because the computer cannot collect the printer status.
If this happens, click **OK** to display the most recent settings specified on your computer.



Quiet Settings

Opens the [Quiet Settings dialog box](#).

Quiet Settings dialog box allows you to specify a setting that reduces the operating noise of the printer. This mode comes in handy when the operating noise of the printer becomes a concern, such when printing at night. Perform this operation when you want to change the quiet mode setting.

▶▶▶ Note

- If the printer is off or if communication between the printer and the computer is disabled, an error message may appear because the computer cannot collect the printer status.
If this happens, click **OK** to display the most recent settings specified on your computer.



Custom Settings

Opens the [Custom Settings dialog box](#).

Perform this function to change the settings of this printer.

▶▶▶ Note

- If the printer is off or if communication between the printer and the computer is disabled, an error message may appear because the computer cannot collect the printer status.
If this happens, click **OK** to display the most recent settings specified on your computer.

View Printer Status

Starts the Canon IJ Status Monitor.

Perform this function when you want to check the printer status and how a print job is proceeding.

Initial Check Items (Cleaning / Deep Cleaning)

Before running **Cleaning** or **Deep Cleaning**, check that the printer power is on, and open the cover of the printer.

Check the following items for each ink.

- [Check the amount of ink](#) remaining in the tank.
- Check that you push in the ink tank completely until you hear a clicking sound.
- If an orange tape is adhered to the ink tank, peel it off completely.
Any remaining tape will hinder ink output.
- Check that the ink tanks are installed in their correct positions.

Initial Check Items (Nozzle Check)

Before running **Nozzle Check**, check that the printer power is on, and open the cover of the printer. Check the following items for each ink.

- [Check the amount of ink](#) remaining in the tank.
- Check that you push in the ink tank completely until you hear a clicking sound.
- If an orange tape is adhered to the ink tank, peel it off completely.
Any remaining tape will hinder ink output.
- Check that the ink tanks are installed in their correct positions.

Auto Power Settings dialog box

When you click **Auto Power**, the **Auto Power Settings** dialog box is displayed. This dialog box allows you to manage the printer power from the Canon IJ Printer Assistant Tool.

Auto Power On

Selects the auto power-on setting.

Specify **Disable** to prevent the printer from turning on automatically when print data is sent to it.

Check that the printer is on and then click **OK** to change the printer settings.

Specify **Enable** to turn the printer on automatically when print data is sent to it.

Auto Power Off

Select the time that you want to set from the list. If a printer driver operation or a printer operation is not performed within the selected time, the printer turns off.

Quiet Settings dialog box

When you click **Quiet Settings**, the **Quiet Settings** dialog box is displayed.

Quiet Settings dialog box allows you to specify a setting that reduces the operating noise of the printer.

Select when you wish to reduce the operating noise of the printer at night, etc.

Using this function may lower the print speed.

Do not use quiet mode

Select this option when you wish to use the printer with volume of normal operating noise.

Always use quiet mode

Select this option when you wish to reduce the operating noise of the printer.

Use quiet mode during specified hours

Select this option when you wish to reduce the operating noise of the printer during a specified period of time.

Set the **Start time** and the **End time** of the quiet mode you wish to be activated. If both are set to the same time, the quiet mode will not function.

Important

- You can set the quiet mode from the operation panel of the printer, or the Canon IJ Printer Assistant Tool.
No matter how you use to set the quiet mode, the mode is applied when you perform operations from the operation panel of the printer or printing from the computer.

- Quiet Mode is not applied to operations (direct print, etc.) performed directly from the printer even during times set for **Use quiet mode during specified hours**.

Custom Settings dialog box

When you click **Custom Settings**, the **Custom Settings** dialog box is displayed.

If necessary, switch between various modes of printer operation.

Detects compatible media in the multi-purpose tray

Detects whether compatible media is loaded on the multi-purpose tray during printing using the multi-purpose tray, and displays a message if compatible media is not loaded.

Check this check box to detect whether compatible media is loaded when printing.

Uncheck this check box to print without detecting whether compatible media is loaded.

»»» Important

- If you leave this check box unchecked, the printer may print to the multi-purpose tray even if compatible media is not loaded on the multi-purpose tray. Therefore, you should check this check box under normal circumstances.
- If you load compatible media that has already been printed onto the multi-purpose tray, the printer may detect that no compatible media is loaded on the multi-purpose tray. In this case, uncheck this check box.

Rotate 90 degrees left when orientation is [Landscape]

On the **Page Setup** tab, you can change the rotation direction of the **Landscape** in the **Orientation**.

To rotate the print data 90 degrees to the left during printing, select this item. To rotate the print data 90 degrees to the right during printing, clear this item.

»»» Important

- Do not change this setting while the print job is displayed in the print wait list. Otherwise, characters may be omitted or the layout may become corrupt.

Do not detect mismatched paper settings when printing from a computer

When you print documents from your computer, the paper settings in the printer driver and the paper information registered on the printer do not match, this setting disables the message display and allows you to continue printing.

To disable detection of paper setting mismatches, select this check box.

Disables paper width detection when printing from computer

Even if the paper width identified by the printer during printing from the computer differs from the paper width that was set in **Paper Size** on the **Page Setup** tab, this function disables the message display and allows you to continue printing.

To disable detection of the paper width during printing, check this check box.

Related Topics

- ➔ [Cleaning the Print Heads](#)
- ➔ [Printing a Nozzle Check Pattern](#)
- ➔ [Managing the Printer Power](#)
- ➔ [Reducing the Printer Noise](#)

➔ [Changing the Printer Operation Mode](#)

Cleaning the Printer

- ▶ **Cleaning Exterior Surfaces**
- ▶ **Cleaning Paper Feed Rollers**
- ▶ **Cleaning Inside the Printer (Bottom Plate Cleaning)**

Cleaning Exterior Surfaces

Be sure to use a soft and dry cloth such as eyeglasses cleaning cloth and wipe off dirt on the surface gently. Smooth out wrinkles on the cloth if necessary before cleaning.

»» Important

- Be sure to turn off the power and unplug the power cord before cleaning the printer.
- Do not use tissue paper, paper towels, rough-textured cloth, or similar materials for cleaning so as not to scratch the surface. Paper tissue powder or fine threads may remain inside the printer and cause problems such as print head blockage and poor printing results.
- Never use volatile liquids such as thinners, benzene, acetone, or any other chemical cleaner to clean the printer, as this may cause a malfunction or damage the surface of the printer.

Cleaning Paper Feed Rollers

If the paper feed roller is dirty or paper powder is attached to it, paper may not be fed properly. In this case, clean the paper feed roller. Cleaning will wear out the paper feed roller, so perform this only when necessary.

You need to prepare:

For the top feed: three sheets of A4 or Letter size plain paper

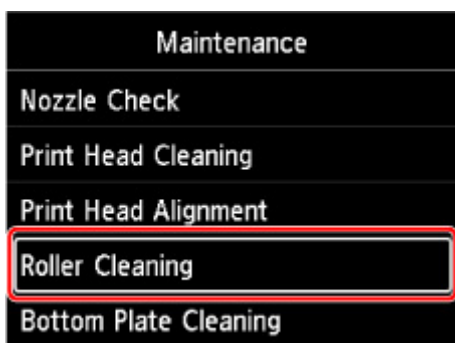
For the manual feed tray: a single sheet of A4 or Letter size plain paper

1. [Check that printer is turned on.](#)
2. Select **Maintenance** on HOME screen.

➔ [LCD and Operation Panel](#)

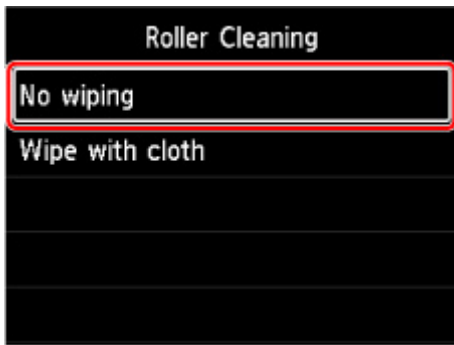
The **Maintenance** screen will appear.

3. Select **Roller Cleaning**.



The confirmation screen will appear.

4. Select **Yes**.
5. Select paper source (**Top feed** or **Manual tray**) for paper feed roller cleaning.
If **Manual tray** is selected, go to step 8.
6. Select **No wiping**.



7. Remove any paper in top feed and press **OK** button.

The paper feed roller will rotate as it is cleaned without paper.

When the paper feed roller stops rotating, the cleaning is complete.

8. Follow the message to load A4 or Letter size plain paper in the paper source you selected in step 5.

Load three sheets of paper in the top feed or a single sheet of paper in the manual feed tray.

- ➔ [Loading Paper in the Top Feed](#)
- ➔ [Loading Paper in the Manual Feed Tray](#)

9. Select **OK**.

The printer starts cleaning. The cleaning will be complete when the paper is ejected.

10. When the completion message appears, select **OK**.

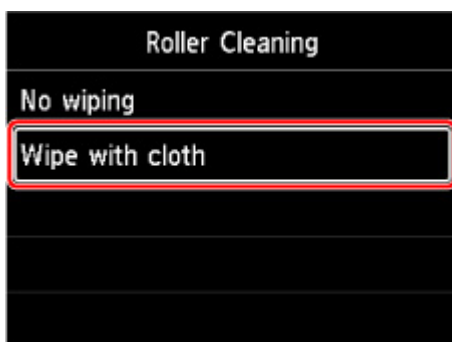
▶▶▶ Note

- If the problem is not resolved after performing the paper feed roller cleaning with **No wiping**, wipe the paper feed roller with a damp cloth.

- ➔ [Wiping Paper Feed Rollers with Damp Cloth](#)

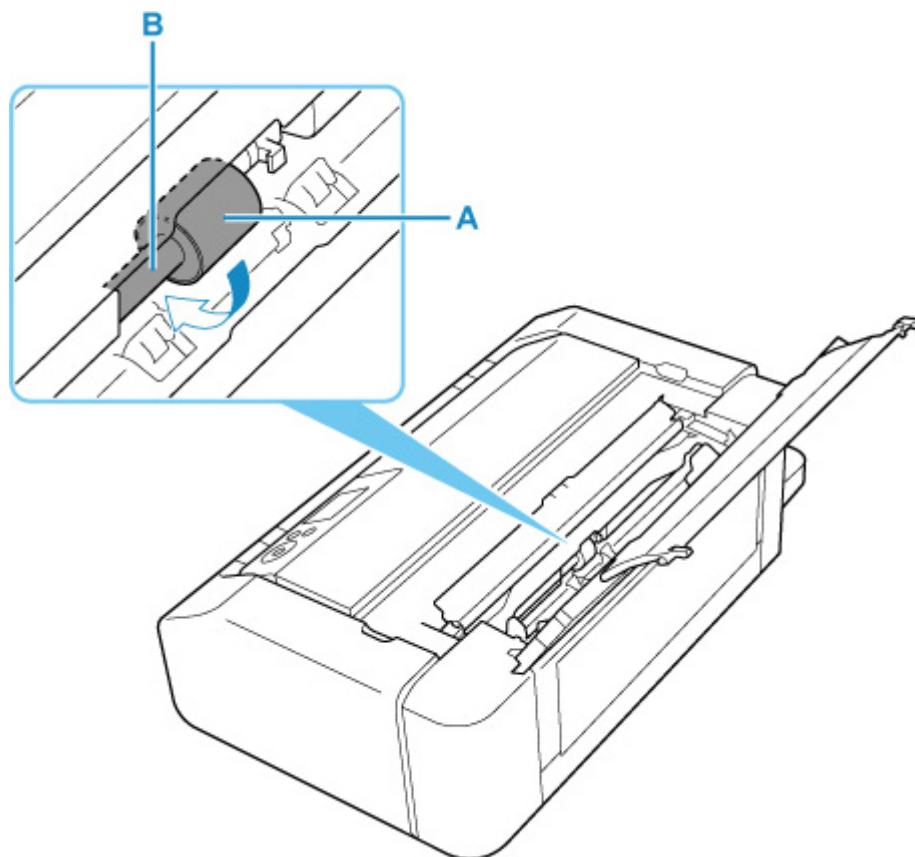
Wiping Paper Feed Rollers with Damp Cloth

1. Select **Wipe with cloth** on **Roller Cleaning** screen.



2. Check message and select **OK**.
3. Remove any paper in top feed and press **OK** button.
4. Press **ON** button.
5. Make sure **ON** lamp is turned off and wipe paper feed roller with damp cloth.

Wipe the paper feed roller (A) in the top feed with a moistened cloth or other materials. Do not touch the paper feed roller with your fingers, wipe it as rotating the shaft (B) with your fingers.



▶▶▶ Note

- If the shaft is not rotated, turn off the printer and turn it on again.

6. After wiping with damp cloth, press **ON** button.
7. Perform paper feed roller cleaning (**No wiping**) again.

▶▶▶ Note

- If printing data is sent to the printer when performing the paper feed roller cleaning with **Wipe with cloth**, the auto power on setting is disabled even if it is set to be automatically turned on.

In this case, set the printer to be automatically turned on again.

From the printer

➔ [Energy saving settings](#)

From the computer

➔ [Managing the Printer Power](#) (Windows)

➔ [Managing the Printer Power](#) (macOS)

If the problem is not resolved after cleaning the paper feed roller, contact your nearest Canon service center to request a repair.

Cleaning Inside the Printer (Bottom Plate Cleaning)

Remove stains from the inside of the printer. If the inside of the printer becomes dirty, printed paper may get dirty, so we recommend performing cleaning regularly.

You need to prepare: a sheet of A4 or Letter-sized plain paper*

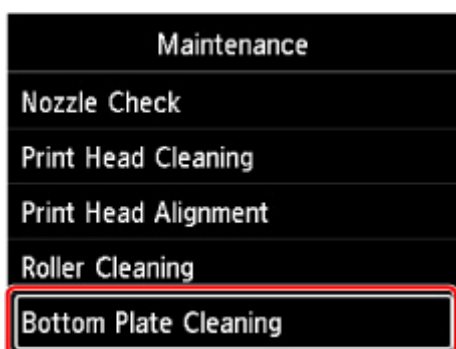
* Be sure to use a new piece of paper.

1. [Check that printer is turned on.](#)
2. Select **Maintenance** on HOME screen.

➔ [LCD and Operation Panel](#)

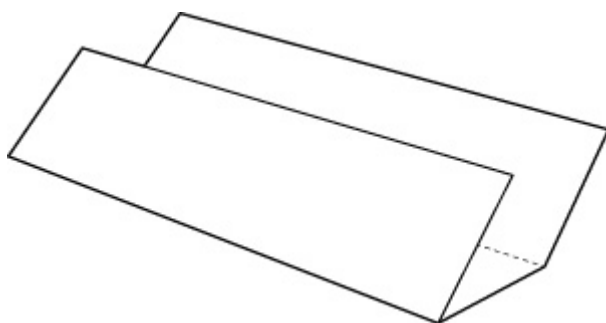
The **Maintenance** screen will appear.

3. Select **Bottom Plate Cleaning**.

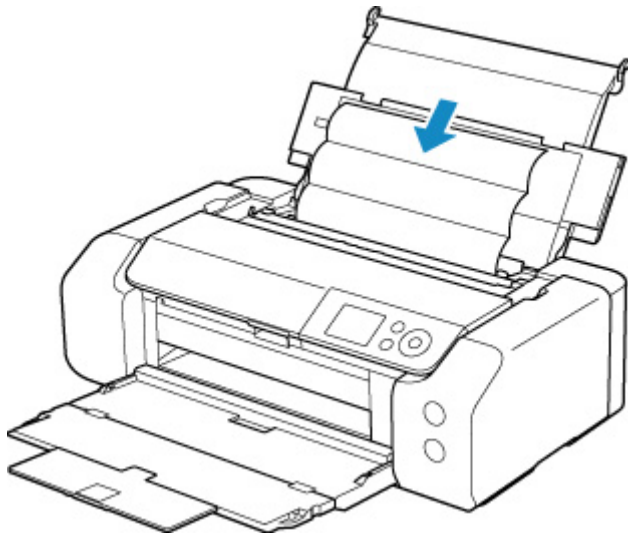


The confirmation screen will appear.

4. Select **Yes**.
5. Follow the message to remove any paper from the top feed, then select **OK**.
6. Fold A4 or Letter-sized plain paper so that short side is in thirds, unfold paper, then select **OK**.



7. Load this sheet of paper sideways in the top feed with the open side facing you.



8. Select **OK.**

The paper cleans the inside of the printer as it feeds through the printer.

Check the folded parts of the ejected paper. If they are smudged with ink, perform Bottom Plate Cleaning again.

9. When the completion message appears, select **OK.**

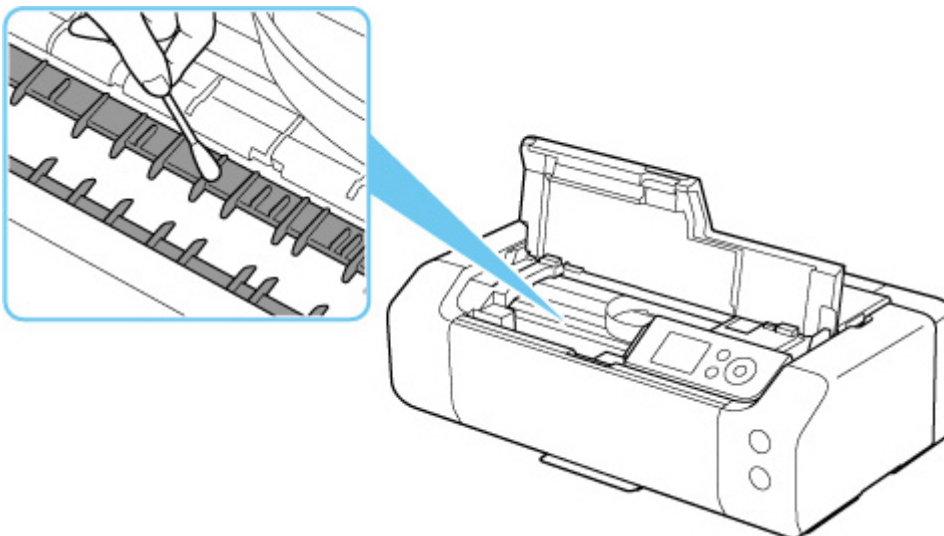
▶▶▶ Note

- When performing Bottom Plate Cleaning again, be sure to use a new piece of paper.

If the problem is not resolved after performing cleaning again, the protrusions inside the printer may be stained. Wipe off any ink from the protrusions using a cotton swab or the like.

▶▶▶ Important

- Be sure to turn off the power and unplug the power cord before cleaning the printer.



Other Maintenance

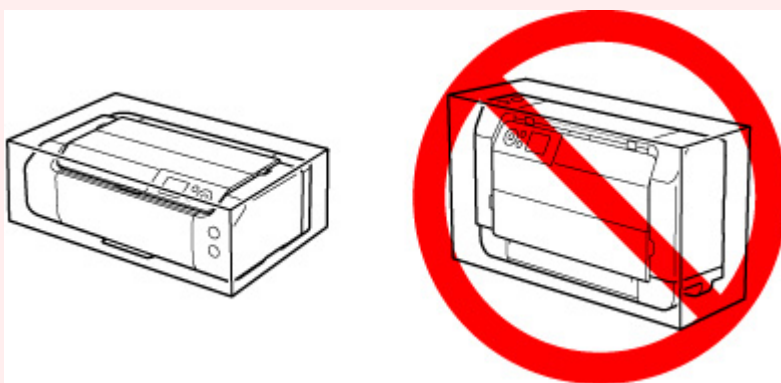
- ▶ [Transporting Your Printer](#)

Transporting Your Printer

When relocating the printer for changing your living place or repairing it, make sure of the following.

»» Important

- Pack the printer in a sturdy box so that it is placed with its bottom facing down, using sufficient protective material to ensure safe transport.
- With the print head and ink tank left installed in the printer, press the **ON** button to turn off the power. This allows the printer to automatically cap the print head, thus preventing it from drying.
- After packing, do not tilt the box containing the printer or turn it on its side or upside down. Doing so may cause the ink to leak during transport and cause damage to the printer.
- When a shipping agent is handling transport of the printer, have its box marked "THIS SIDE UP" to keep the printer with its bottom facing down. Mark also with "FRAGILE" or "HANDLE WITH CARE".



1. Turn the printer off.
2. Check that **ON** lamp is off and [unplug power cord](#).

»» Important

- Do not unplug the printer while the **ON** lamp is lit or flashing, as it may cause malfunction or damage to the printer, making the printer unable to print.

3. Retract trays.
4. Unplug the printer cable from the computer and from the printer, then unplug the power cord from the printer.
5. Use adhesive tape to secure all the covers on the printer to keep them from opening during transportation. Then pack the printer in the plastic bag.
6. Attach the protective material to the printer when packing the printer in the box.

Specifications

- Specifications
- Print Area

Specifications

General Specifications

Interface	<p>USB Port: Hi-Speed USB *</p> <p>Network Port: Wired LAN: 100BASE-TX / 10BASE-T Wi-Fi: IEEE802.11n / IEEE802.11g / IEEE802.11b / IEEE802.11a</p> <p>* A computer that complies with Hi-Speed USB standard is required. Since the Hi-Speed USB interface is fully upwardly compatible with USB 1.1, it can be used at USB 1.1.</p> <p>USB and the network can be used at the same time. Wi-Fi and wired LAN cannot be used at the same time.</p>
Operating environment	<p>Temperature: 41 to 95 °F (5 to 35 °C) Humidity: 10 to 90 % RH (no condensation)</p> <p>* The performance of the printer may be reduced under certain temperature and humidity conditions.</p> <p>Recommended conditions: Temperature: 59 to 86 °F (15 to 30 °C) Humidity: 10 to 80 % RH (no condensation)</p> <p>* For the temperature and humidity conditions of papers such as photo paper, refer to the paper's packaging or the supplied instructions.</p>
Storage environment	<p>Temperature: 32 to 104 °F (0 to 40 °C) Humidity: 5 to 95 % RH (no condensation)</p>
Power supply	<p>AC 100-240 V, 50/60 Hz (The supplied power cord is only for the country or region you purchased.)</p>
Power consumption	<p>Printing: 16 W or less *1 Standby (minimum): 1.0 W or less *1*2 OFF: 0.2 W or less</p> <p>*1 USB connection to a PC *2 The wait time for standby cannot be changed.</p>
External dimensions (W x D x H)	<p>Approx. 25.2 x 15 x 7.9 in. (Approx. 639 x 379 x 200 mm) * With the trays retracted.</p>
Weight	<p>Approx. 31.6 lb (Approx. 14.4 kg) * With the Print Head and ink tanks installed.</p>

Network Specifications

Communication protocol	SNMP, HTTP, TCP/IP (IPv4/IPv6)
Wired LAN	<p>Supported Standards: IEEE802.3u (100BASE-TX) / IEEE802.3 (10BASE-T)</p> <p>Transfer speed: 10 Mbps/100 Mbps (auto switching)</p> <p>Security: IEEE802.1X (EAP-TLS/EAP-TTLS/PEAP)</p>
Wi-Fi	<p>Supported Standards: IEEE802.11n / IEEE802.11g / IEEE802.11b / IEEE802.11a</p> <p>Frequency bandwidth: 2.4 GHz / 5 GHz</p> <p>Channel:</p> <p>2.4 GHz: 1-11 or 1-13</p> <p>5 GHz: W52, W53, W56, W58</p> <p>* Wireless Direct cannot be used in the 5GHz band.</p> <p>* Frequency bandwidth and available channels differ depending on country or region.</p> <p>Communication distance: Indoors 164 feet/50 m</p> <p>* Effective range varies depending on the installation environment and location.</p> <p>Security:</p> <p>WEP (64/128 bits)</p> <p>WPA-PSK (TKIP/AES)</p> <p>WPA2-PSK (TKIP/AES)</p> <p>Setup:</p> <p>WPS (Push button configuration/PIN code method)</p> <p>Easy wireless connect</p>

Minimum System Requirements

Conform to the operating system's requirements when higher than those given here.

Windows

Operating System	<p>Windows 10, Windows 8.1, Windows 7 SP1</p> <p>Note: Operation can only be guaranteed on a PC with pre-installed Windows 7 or later.</p> <p>Printer driver, IJ Printer Assistant Tool, and IJ Network Device Setup Utility support the following OS:</p> <p>Windows Server 2008 R2 SP1, Windows Server 2012 R2, Windows Server 2016, and Windows Server 2019.</p>
Hard Disk Space	<p>2.0 GB or more</p> <p>Note: For bundled software installation.</p> <p>The necessary amount of hard disk space may be changed without notice.</p>

macOS

Operating System	OS X 10.11.6, macOS 10.12 - macOS 10.15
Hard Disk Space	1.5 GB or more Note: For bundled software installation. The necessary amount of hard disk space may be changed without notice.

Other Supported OS

iOS, Android Some functions may not be available with the supported OS. Refer to the Canon web site for details.
--

Mobile Printing Capability

Apple AirPrint
Google Cloud Print
PIXMA Cloud Link
Mopria Print Service

- Internet connection or CD-ROM drive is required to install the software for Windows.
- macOS: For macOS, an internet connection is required during software installation.
- Internet connection is required to use all the user's guide.


Information in this manual is subject to change without notice.

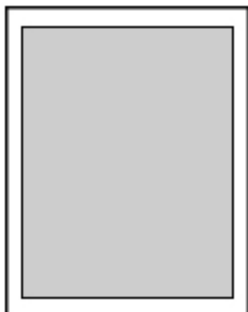
Print Area

- ▶ **Print Area**
- ▶ **Standard Sizes**
- ▶ **Sizes for 0.98 in. (25 mm) Margin Paper**
- ▶ **Printable Discs**

Print Area

To maintain print quality, the printer leaves a margin around the edges of paper. The printable area is inside this margin.

Printable area  : You can print in this area.



▶▶▶ Note

- By selecting Borderless Printing option, you can make prints with no margins.
- When performing Borderless Printing, slight cropping may occur at the edges since the printed image is enlarged to fill the whole page.
- When performing Borderless Printing, select **Magnification level for borderless** in **Print settings** of **Printer settings** to specify the amount of images that extends off the paper.

➔ [Print settings](#)

- For Borderless Printing, use the following paper:
 - Photo Paper Pro Platinum <PT-101>
 - Photo Paper Plus Glossy II <PP-201/PP-208/PP-301>
 - Photo Paper Pro Luster <LU-101>
 - Photo Paper Plus Semi-gloss <SG-201>
 - Matte Photo Paper <MP-101>^{*1}
 - Photo Paper Pro Premium Matte <PM-101>^{*1}
 - Premium Fine Art Smooth <FA-SM1>^{*1}
 - Premium Fine Art Rough <FA-RG1>^{*1}
 - Greeting Card
 - Card Stock

*1 Borderless Printing is disabled depending on print settings. To enable Borderless Printing, remove margin restrictions.

➔ [Print Options dialog box](#) (Windows)

➔ [Advanced Paper Settings](#) (macOS)

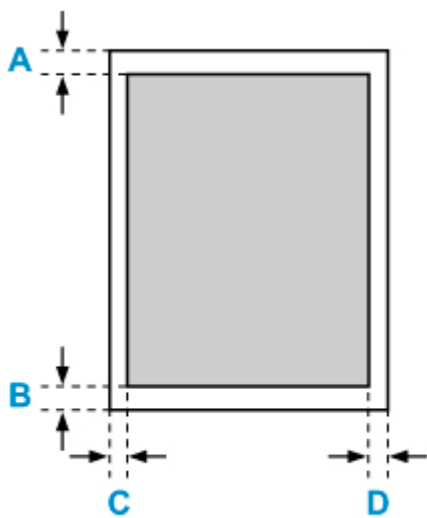
Performing Borderless Printing on any other type of paper may substantially reduce printing quality and/or result in printouts with altered color hues.

- Borderless Printing is not available for A5, B5, B4, or Legal size paper or plain paper.

- Depending on the type of paper, Borderless Printing may reduce the print quality at the top and bottom edges of the paper or cause these parts to become smudged.

Standard Sizes

Size	Print Area (width x height)
Letter	8.00 x 10.69 in. (203.2 x 271.4 mm)
Legal	8.00 x 13.69 in. (203.2 x 347.6 mm)
11" x 17" (28 x 43 cm)	10.73 x 16.69 in. (272.6 x 423.8 mm)
A5	5.56 x 7.95 in. (141.2 x 202.0 mm)
A4	8.00 x 11.38 in. (203.2 x 289.0 mm)
A3	11.43 x 16.22 in. (290.2 x 412.0 mm)
A3+	12.69 x 18.70 in. (322.2 x 475.0 mm)
B5	6.90 x 9.80 in. (175.2 x 249.0 mm)
B4	9.85 x 14.02 in. (250.2 x 356.0 mm)
4" x 6" (10 x 15 cm)	3.73 x 5.69 in. (94.8 x 144.4 mm)
5" x 7" (13 x 18 cm)	4.73 x 6.69 in. (120.2 x 169.8 mm)
7" x 10" (18 x 25 cm)	6.73 x 9.69 in. (171.0 x 246.0 mm)
8" x 10" (20 x 25 cm)	7.73 x 9.69 in. (196.4 x 246.0 mm)
10" x 12" (25 x 30 cm)	9.73 x 11.69 in. (247.2 x 296.8 mm)
8.27 x 23.39 in. (210 x 594 mm)	8.00 x 23.07 in. (203.2 x 586.0 mm)
Square 5" x 5" 13 x 13 cm	4.53 x 4.53 in. (115.0 x 115.0 mm)
12" x 12" (30 x 30 cm)	11.73 x 11.68 in. (298.0 x 296.8 mm)



 Printable area

Letter, Legal

A: 0.12 in. (3.0 mm)

B: 0.20 in. (5.0 mm)

C: 0.25 in. (6.4 mm)

D: 0.25 in. (6.3 mm)

Square 5" x 5" 13 x 13 cm

- A: 0.24 in. (6.0 mm)
- B: 0.24 in. (6.0 mm)
- C: 0.24 in. (6.0 mm)
- D: 0.24 in. (6.0 mm)

Other than Letter, Legal or Square 5" x 5" 13 x 13 cm

- A: 0.12 in. (3.0 mm)
- B: 0.20 in. (5.0 mm)
- C: 0.13 in. (3.4 mm)
- D: 0.13 in. (3.4 mm)

Sizes for 0.98 in. (25 mm) Margin Paper

When art paper with 0.98 in. (25 mm) margins is selected, the printer is restricted from printing in the top and bottom 0.98 in. (25 mm) of the paper. We therefore recommend checking the printing area in the preview screen before printing.

If the print head is rubbing against the top and bottom edges of the paper, causing smudging, you can avoid this by using 0.98 in. (25 mm) margin paper.

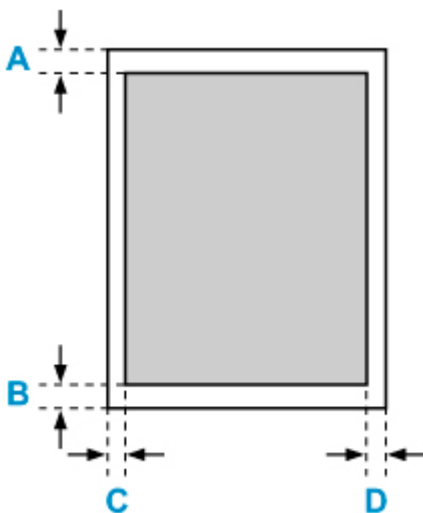
When you are using the following paper, the printer prints to paper sizes with 0.98 in. (25 mm) margins depending on print settings. To print to other page sizes, remove restrictions on margins.

- Matte Photo Paper <MP-101>
- Photo Paper Pro Premium Matte <PM-101>
- Premium Fine Art Smooth <FA-SM1>
- Premium Fine Art Rough <FA-RG1>

➔ [Print Options dialog box](#) (Windows)

➔ [Advanced Paper Settings](#) (macOS)

Size	Print Area (width x height)
Letter (0.98 in. (25 mm) margin)	8.00 x 9.03 in. (203.2 x 229.4 mm)
11" x 17" (28 x 43 cm) (0.98 in. (25 mm) margin)	10.73 x 15.03 in. (272.6 x 381.8 mm)
A4 (0.98 in. (25 mm) margin)	8.00 x 9.72 in. (203.2 x 247.0 mm)
A3 (0.98 in. (25 mm) margin)	11.43 x 14.57 in. (290.2 x 370.0 mm)
A3+ (0.98 in. (25 mm) margin)	12.69 x 17.05 in. (322.2 x 433.0 mm)
8.27 x 23.39 in. (210 x 594 mm) (0.98 in. (25 mm) margin)	8.00 x 21.42 in. (203.2 x 544.0 mm)



 Printable area

Letter

A: 0.98 in. (25.0 mm)

B: 0.98 in. (25.0 mm)

C: 0.25 in. (6.4 mm)

D: 0.25 in. (6.3 mm)

Other than Letter

A: 0.98 in. (25.0 mm)

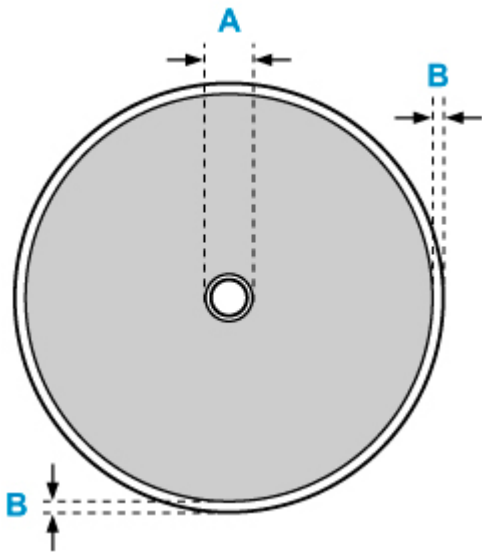
B: 0.98 in. (25.0 mm)

C: 0.13 in. (3.4 mm)

D: 0.13 in. (3.4 mm)

Printable Discs

The printing area of the printable disc is from 0.67 in. (17 mm) of the internal diameter to 0.04 in. (1 mm) from the external diameter of the printing surface.



Printable area

A: 0.67 in. (17.0 mm)

B: 0.04 in. (1.0 mm)

Safety

- ▶ **Safety Precautions**
- ▶ **Regulatory Information**
- ▶ **WEEE (EU&EEA)**
- ▶ **When Repairing, Lending, or Disposing of the Printer**
- ▶ **Legal Restrictions on Printing**

Safety Precautions

Safety Precautions

- This manual contains important notices and safety precautions about your printer.

Do not use the printer in ways other than described in the accompanying manuals, as this may result in fire, electric shock or other unexpected accidents.

Safety standard marks and declarations are only valid for the supported voltages and frequencies in the applicable countries or regions.

Warning

- Users with cardiac pacemakers:

This product emits a low-level magnetic flux. If you feel abnormalities, please move away from the product and consult your doctor.

- Do not use the printer in the following cases:

Stop use immediately, unplug the printer and call your local service representative to request repair.

- Metal objects or liquids are spilt inside the printer.
- The printer emits smoke, strange odors, or makes unusual noises.
- The power cord or plug overheat or are broken, bent or damaged in any way.
- Failure to adhere to the following may result in fire, electric shock, or injury:
 - Do not place product close to the flammable solvents such as alcohol or thinner.
 - Do not open or modify the printer.
 - Use only the power cord/cables that came with your printer. Do not use these cables with other devices.
 - Do not plug in to voltages or frequencies other than those specified.
 - Plug the power cord into the socket completely.
 - Do not plug in or unplug the power cord with wet hands.
 - Do not damage the power cord by twisting, bundling, tying, pulling or excessively bending it.
 - Do not place heavy objects on the power cord.
 - Do not connect multiple power cords to a single electrical outlet. Do not use multiple extension cords.
 - Do not leave the printer plugged in during lightning storms.
 - Always unplug the power cord and cables when cleaning. Do not use flammable sprays or liquids such as alcohol or thinners for cleaning.
 - Unplug the power cord once a month to check that it is not overheating, rusted, bent, scratched, split, or otherwise damaged.

Caution

- Do not put your hands inside the printer while printing.
- Do not touch the print head or other metal parts immediately after printing.
- Ink
 - Keep ink out of reach of children.
 - If ink is accidentally licked or swallowed, rinse out your mouth and drink one or two glasses of water. If irritation or discomfort occurs, obtain medical advice immediately.

- In case ink gets in contact with eyes, rinse with water immediately. In case ink gets in contact with skin, wash with soap and water immediately. If irritation to eyes or skin persists, obtain medical advice immediately.
-

General Notices

Choosing a Location

Refer to "[Specifications](#)" in the Online manual for details on operating environment.

- Do not install the printer in a location that is unstable or subject to excessive vibration.
- Do not install the printer in locations that get very hot (direct sunlight, or close to a heating source), very humid or dusty locations, or outdoors.
- Do not place the printer on a thick rug or carpet.
- Do not place the printer flush against a wall.

Power Supply

- Keep the area around the power outlet clear at all times so you can easily unplug the power cord if necessary.
- Never remove the plug by pulling on the cord.

General Notices

- Do not tilt the printer, stand it on end, or turn it upside down. This may cause ink to leak.
- Do not place anything on top of the printer. Be especially careful to avoid metal objects such as paper clips and staples, and containers holding flammable liquids such as alcohol or thinner.
- Do not attempt to open, disassemble or modify the ink tanks. Ink may leak and damage your printer.
- Do not throw print heads or ink tanks in the fire.

Regulatory Information

Users in the U.S.A.

FCC Notice (U.S.A. Only)

For 120V, 60Hz model

Model Number: K10511 (Contains FCC Approved WLAN Module K30374)

This device complies with Part 15 of the FCC Rules. Operation is subject to the following two conditions:

(1) This device may not cause harmful interference, and (2) this device must accept any interference received, including interference that may cause undesired operation.

Note: This equipment has been tested and found to comply with the limits for a Class B digital device, pursuant to Part 15 of the FCC Rules. These limits are designed to provide reasonable protection against harmful interference in a residential installation. This equipment generates, uses and can radiate radio frequency energy and, if not installed and used in accordance with the instructions, may cause harmful interference to radio communications.

However, there is no guarantee that interference will not occur in a particular installation. If this equipment does cause harmful interference to radio or television reception, which can be determined by turning the equipment off and on, the user is encouraged to try to correct the interference by one or more of the following measures:

- Reorient or relocate the receiving antenna.
- Increase the separation between the equipment and receiver.
- Connect the equipment into an outlet on a circuit different from that to which the receiver is connected.
- Consult the dealer or an experienced radio/TV technician for help.

Use of a shielded cable is required to comply with Class B limits in Subpart B of Part 15 of the FCC Rules.

Do not make any changes or modifications to the equipment unless otherwise specified in the manual. If such changes or modifications should be made, you could be required to stop operation of the equipment.

Changes or modifications not expressly approved by the party responsible for compliance could void the user's authority to operate equipment.

This transmitter must not be co-located or operating in conjunction with any other antenna or transmitter.

The equipment complies with FCC radiation exposure limits for uncontrolled equipment. This equipment should be installed and operated with minimum distance at least 20cm between the radiator and persons body (excluding extremities: hands, wrists, feet and ankles) and must not be colocated or operated with any other antenna or transmitter.

Canon U.S.A., Inc.

One Canon Park

Melville, New York 11747

1-800-652-2666

Interference

Do not use the printer around medical equipment or other electronic devices. Signals from the printer may interfere with the correct operation of these devices.

Users in Australia

5150 - 5350MHz band is indoor use only.

In Australia, use on channels 120-128 are prohibited in 5GHz Wireless LAN band.

Users in New Zealand

5150 - 5250MHz band is indoor use only.

WEEE (EU&EEA)

Only for European Union and EEA (Norway, Iceland and Liechtenstein)



These symbols indicate that this product is not to be disposed of with your household waste, according to the WEEE Directive (2012/19/EU), the Battery Directive (2006/66/EC) and/or national legislation implementing those Directives. If a chemical symbol is printed beneath the symbol shown above, in accordance with the Battery Directive, this indicates that a heavy metal (Hg = Mercury, Cd = Cadmium, Pb = Lead) is present in this battery or accumulator at a concentration above an applicable threshold specified in the Battery Directive. This product should be handed over to a designated collection point, e.g., on an authorized one-for-one basis when you buy a new similar product or to an authorized collection site for recycling waste electrical and electronic equipment (EEE) and batteries and accumulators. Improper handling of this type of waste could have a possible impact on the environment and human health due to potentially hazardous substances that are generally associated with EEE. Your cooperation in the correct disposal of this product will contribute to the effective usage of natural resources. For more information about the recycling of this product, please contact your local city office, waste authority, approved scheme or your household waste disposal service or visit www.canon-europe.com/weee, or www.canon-europe.com/battery.

Nur für Europäische Union und EWR (Norwegen, Island und Liechtenstein)



Diese Symbole weisen darauf hin, dass dieses Produkt gemäß WEEE-Richtlinie (2012/19/EU; Richtlinie über Elektro- und Elektronik-Altgeräte), Batterien-Richtlinie (2006/66/EG) und nationalen Gesetzen zur Umsetzung dieser Richtlinien nicht über den Hausmüll entsorgt werden darf. Falls sich unter dem oben abgebildeten Symbol ein chemisches Symbol befindet, bedeutet dies gemäß der Batterien-Richtlinie, dass in dieser Batterie oder diesem Akkumulator ein Schwermetall (Hg = Quecksilber, Cd = Cadmium, Pb = Blei) in einer Konzentration vorhanden ist, die über einem in der Batterien-Richtlinie angegebenen Grenzwert liegt. Dieses Produkt muss bei einer dafür vorgesehenen Sammelstelle abgegeben werden. Dies kann z. B. durch Rückgabe beim Kauf eines neuen ähnlichen Produkts oder durch Abgabe bei einer autorisierten Sammelstelle für die Wiederaufbereitung von Elektro- und Elektronik-Altgeräten sowie Batterien und Akkumulatoren geschehen. Der unsachgemäße Umgang mit Altgeräten kann aufgrund potenziell gefährlicher Stoffe, die generell mit Elektro- und Elektronik-Altgeräten in Verbindung stehen, negative Auswirkungen auf die Umwelt und die menschliche Gesundheit haben. Durch Ihre Mitarbeit bei der umweltgerechten Entsorgung dieses Produkts tragen Sie zu einer effektiven Nutzung natürlicher Ressourcen bei. Um weitere Informationen über die Wiederverwertung dieses Produkts zu erhalten, wenden Sie sich an Ihre Stadtverwaltung, den öffentlich-rechtlichen Entsorgungsträger, eine autorisierte Stelle für die Entsorgung von Elektro- und Elektronik-Altgeräten oder Ihr örtliches

Entsorgungsunternehmen oder besuchen Sie www.canon-europe.com/weee, oder www.canon-europe.com/battery.

Union Européenne, Norvège, Islande et Liechtenstein uniquement.



Ces symboles indiquent que ce produit ne doit pas être mis au rebut avec les ordures ménagères, comme le spécifient la Directive européenne DEEE (2012/19/UE), la Directive européenne relative à l'élimination des piles et des accumulateurs usagés (2006/66/CE) et les lois en vigueur dans votre pays appliquant ces directives. Si un symbole de toxicité chimique est imprimé sous le symbole illustré ci-dessus conformément à la Directive relative aux piles et aux accumulateurs, il indique la présence d'un métal lourd (Hg = mercure, Cd = cadmium, Pb = plomb) dans la pile ou l'accumulateur à une concentration supérieure au seuil applicable spécifié par la Directive. Ce produit doit être confié au distributeur à chaque fois que vous achetez un produit neuf similaire, ou à un point de collecte mis en place par les collectivités locales pour le recyclage des Déchets des Équipements Électriques et Électroniques (DEEE). Le traitement inapproprié de ce type de déchet risque d'avoir des répercussions sur l'environnement et la santé humaine, du fait de la présence de substances potentiellement dangereuses généralement associées aux équipements électriques et électroniques. Votre entière coopération dans le cadre de la mise au rebut correcte de ce produit favorisera une meilleure utilisation des ressources naturelles. Pour plus d'informations sur le recyclage de ce produit, contactez vos services municipaux, votre éco-organisme ou les autorités locales compétentes, ou consultez le site www.canon-europe.com/weee, ou www.canon-europe.com/battery.

Uitsluitend bestemd voor de Europese Unie en EER (Noorwegen, IJsland en Liechtenstein)



Met deze symbolen wordt aangegeven dat dit product in overeenstemming met de AEEA-richtlijn (2012/19/EU), de richtlijn 2006/66/EG betreffende batterijen en accu's en/of de plaatselijk geldende wetgeving waarin deze richtlijnen zijn geïmplementeerd, niet bij het normale huisvuil mag worden weggegooid. Indien onder het hierboven getoonde symbool een chemisch symbool gedrukt staat, geeft dit in overeenstemming met de richtlijn betreffende batterijen en accu's aan dat deze batterij of accu een zwaar metaal bevat (Hg = kwik, Cd = cadmium, Pb = lood) waarvan de concentratie de toepasselijke drempelwaarde in overeenstemming met de genoemde richtlijn overschrijdt. Dit product dient te worden ingeleverd bij een hiervoor aangewezen inzamelpunt, bijv. door dit in te leveren bij een hiertoe erkend verkooppunt bij aankoop van een gelijksoortig product, of bij een officiële inzameldienst voor de recycling van elektrische en elektronische apparatuur (EEA) en batterijen en accu's. Door de potentieel gevaarlijke stoffen die gewoonlijk gepaard gaan met EEA, kan onjuiste verwerking van dit type afval mogelijk nadelige gevolgen hebben voor het milieu en de menselijke gezondheid. Uw medewerking bij het op juiste wijze weggooiden van dit product draagt bij tot effectief gebruik van natuurlijke hulpbronnen. Voor verdere informatie over recycling van dit product kunt u contact opnemen met uw plaatselijke gemeente,

afvaldienst, officiële dienst voor klein chemisch afval of afvalstortplaats, of kunt u terecht op www.canon-europe.com/weee, of www.canon-europe.com/battery.

Sólo para la Unión Europea y el Área Económica Europea (Noruega, Islandia y Liechtenstein)



Estos iconos indican que este producto no debe desecharse con los residuos domésticos de acuerdo con la Directiva sobre RAEE (2012/19/UE) y la Directiva sobre Pilas y Acumuladores (2006/66/CE) y/o la legislación nacional. Si aparece un símbolo químico bajo este icono, de acuerdo con la Directiva sobre Pilas y Acumuladores, significa que la pila o el acumulador contiene metales pesados (Hg = Mercurio, Cd = Cadmio, Pb = Plomo) en una concentración superior al límite especificado en dicha directiva. Este producto deberá entregarse en un punto de recogida designado, por ejemplo, entregándolo en el lugar de venta al adquirir un producto nuevo similar o en un centro autorizado para la recogida de residuos de aparatos eléctricos y electrónicos (RAEE), baterías y acumuladores. La gestión incorrecta de este tipo de residuos puede afectar al medio ambiente y a la salud humana debido a las sustancias potencialmente nocivas que suelen contener estos aparatos. Su cooperación en la correcta eliminación de este producto contribuirá al correcto aprovechamiento de los recursos naturales. Los usuarios tienen derecho a devolver pilas, acumuladores o baterías usados sin coste alguno. El precio de venta de pilas, acumuladores y baterías incluye el coste de la gestión medioambiental de su desecho, y no es necesario mostrar la cuantía de dicho coste en la información y la factura suministradas a los usuarios finales. Si desea más información sobre el reciclado de este producto, póngase en contacto con su municipio, el servicio o el organismo encargado de la gestión de residuos domésticos o visite www.canon-europe.com/weee, o www.canon-europe.com/battery.

Només per a la Unió Europea i a l'Espai Econòmic Europeu (Noruega, Islàndia i Liechtenstein)



Aquests símbols indiquen que aquest producte no s'ha de llençar amb les escombraries de la llar, d'acord amb la RAEE (2012/19/UE), la Directiva relativa a piles i acumuladors (2006/66/CE) i la legislació nacional que implementi aquestes directives. Si al costat d'aquest símbol hi apareix imprès un símbol químic, segons especifica la Directiva relativa a piles i acumuladors, significa que la bateria o l'acumulador conté un metall pesant (Hg = mercuri, Cd = cadmi, Pb = plom) en una concentració superior al límit aplicable especificat en la Directiva. Aquest producte s'hauria de lliurar en un dels punts de recollida designats, com per exemple, intercanviant un per un en comprar un producte similar o lliurant-lo en un lloc de recollida autoritzat per al reciclatge de residus d'aparells elèctrics i electrònics (RAEE) i piles i acumuladors. La manipulació inadequada d'aquest tipus de residus podria tenir un impacte negatiu en l'entorn i en la salut humana, a causa de les substàncies potencialment perilloses que normalment estan associades a l'RAEE. La vostra cooperació a l'hora de rebutjar correctament aquest producte contribuirà a la utilització efectiva dels recursos naturals. Els usuaris tenen dret a retornar les bateries o els

acumuladors usats sense cap càrrec. El preu de venda de les bateries i els acumuladors inclou el cost de la gestió ambiental dels residus i no es necessari mostrar l'import d'aquest cost en aquest fullet o en la factura que es lliuri a l'usuari final. Per a més informació sobre el reciclatge d'aquest producte, contacteu amb l'oficina municipal, les autoritats encarregades dels residus, el pla de residus homologat o el servei de recollida d'escombraries domèstiques de la vostra localitat o visiteu www.canon-europe.com/weee, o www.canon-europe.com/battery.

Solo per Unione Europea e SEE (Norvegia, Islanda e Liechtenstein)



Questi simboli indicano che il prodotto non può essere smaltito con i rifiuti domestici, ai sensi della Direttiva RAEE (2012/19/UE), della Direttiva sulle Batterie (2006/66/CE) e/o delle leggi nazionali che attuano tali Direttive. Se sotto il simbolo indicato sopra è riportato un simbolo chimico, in osservanza della Direttiva sulle batterie, tale simbolo indica la presenza di un metallo pesante (Hg = Mercurio, Cd = Cadmio, Pb = Piombo) nella batteria o nell'accumulatore con un livello di concentrazione superiore a una soglia applicabile specificata nella Direttiva sulle batterie. Il prodotto deve essere conferito a un punto di raccolta designato, ad esempio il rivenditore in caso di acquisto di un nuovo prodotto simile oppure un centro di raccolta autorizzato per il riciclaggio di rifiuti di apparecchiature elettriche ed elettroniche (RAEE) nonché di batterie e accumulatori. Un trattamento improprio di questo tipo di rifiuti può avere conseguenze negative sull'ambiente e sulla salute umana a causa delle sostanze potenzialmente nocive solitamente contenute in tali rifiuti. La collaborazione dell'utente per il corretto smaltimento di questo prodotto contribuirà a un utilizzo efficace delle risorse naturali ed eviterà di incorrere in sanzioni amministrative ai sensi dell'art. 255 e successivi del Decreto Legislativo n. 152/06. Per ulteriori informazioni sul riciclaggio di questo prodotto, contattare le autorità locali, l'ente responsabile della raccolta dei rifiuti, un rivenditore autorizzato o il servizio di raccolta dei rifiuti domestici, oppure visitare il sito www.canon-europe.com/weee, o www.canon-europe.com/battery.

Apenas para a União Europeia e AEE (Noruega, Islândia e Liechtenstein)



Estes símbolos indicam que este produto não deve ser eliminado juntamente com o seu lixo doméstico, segundo a Diretiva REEE de 2012/19/UE, a Diretiva de Baterias (2006/66/CE) e/ou a sua legislação nacional que transponha estas Diretivas. Se houver um símbolo químico impresso como mostrado abaixo, de acordo com a Diretiva de Baterias, isto indica que um metal pesado (Hg = Mercúrio, Cd = Cádmiu, Pb = Chumbo) está presente nesta pilha ou acumulador, numa concentração acima de um limite aplicável especificado na Diretiva. Este produto deve ser entregue num ponto de recolha designado, por exemplo num local autorizado de troca quando compra um equipamento novo idêntico, ou num local de recolha autorizado para reciclar equipamento elétrico e eletrónico (EEE) em fim de vida, bem como pilhas e baterias. O tratamento inadequado deste tipo de resíduos pode ter um impacto negativo no ambiente e na saúde humana, devido a substâncias potencialmente perigosas que estão associadas com

equipamentos do tipo EEE. A sua cooperação no tratamento correto deste produto irá contribuir para a utilização mais eficaz dos recursos naturais. Para obter mais informações acerca de como reciclar este produto, por favor contacte as suas autoridades locais responsáveis pela matéria, serviço de recolha aprovado para pilhas e baterias ou serviço de recolha de resíduos sólidos domésticos da sua municipalidade, ou visite www.canon-europe.com/weee, ou www.canon-europe.com/battery.

Gælder kun i Europæiske Union og EØS (Norge, Island og Liechtenstein)



Disse symboler betyder, at produktet ikke må bortskaffes sammen med dagrenovation i henhold til WEEE-direktivet (2012/19/EU), batteridirektivet (2006/66/EF) og/eller den lokale lovgivning, som disse direktiver er gennemført i. Hvis der i overensstemmelse med batteridirektivet er trykt et kemisk symbol under det symbol, der er vist ovenfor, betyder det, at batteriet eller akkumulatoren indeholder tungmetaller (Hg = kviksølv, Cd = cadmium, Pb = bly) i en koncentration, som ligger over de grænseværdier, der er beskrevet i batteridirektivet. Produktet skal afleveres på et godkendt indsamlingssted, f.eks. i overensstemmelse med en godkendt én-til-én-procedure, når du indkøber et nyt tilsvarende produkt, eller på et godkendt indsamlingssted for elektronikaffald samt for batterier og akkumulatører. Forkert håndtering af denne type affald kan medføre negative konsekvenser for miljøet og menneskers helbred på grund af de potentielt sundhedsskadelige stoffer, der generelt kan forefindes i elektrisk og elektronisk udstyr. Når du foretager korrekt bortskaffelse af produktet, bidrager du til effektiv brug af naturressourcerne. Kontakt din kommune, den lokale affaldsmyndighed, det lokale affaldsanlæg, eller besøg www.canon-europe.com/weee, eller www.canon-europe.com/battery for at få flere oplysninger om genbrug af dette produkt.

Μόνο για την Ευρωπαϊκή Ένωση και τον ΕΟΧ (Νορβηγία, Ισλανδία και Λιχτενστάιν)



Αυτά τα σύμβολα υποδεικνύουν ότι αυτό το προϊόν δεν πρέπει να απορρίπτεται μαζί με τα οικιακά απορρίμματα, σύμφωνα με την Οδηγία για τα Απόβλητα Ηλεκτρικού και Ηλεκτρονικού Εξοπλισμού (ΑΗΗΕ) (2012/19/ΕΕ), την Οδηγία για τις Ηλεκτρικές Στήλες (2006/66/ΕΚ) ή/και την εθνική νομοθεσία που εφαρμόζει τις Οδηγίες εκείνες. Εάν κάποιο χημικό σύμβολο είναι τυπωμένο κάτω από το σύμβολο που φαίνεται παραπάνω, σύμφωνα με την Οδηγία για τις Ηλεκτρικές Στήλες, υποδηλώνει ότι κάποιο βαρύ μέταλλο (Hg = Υδράργυρος, Cd = Κάδμιο, Pb = Μόλυβδος) υπάρχει στην μπαταρία ή τον συσσωρευτή σε συγκέντρωση μεγαλύτερη από το ισχύον επίπεδο που καθορίζεται στην Οδηγία για τις Ηλεκτρικές Στήλες. Αυτό το προϊόν πρέπει να παραδίδεται σε καθορισμένο σημείο συλλογής, π.χ. σε μια εξουσιοδοτημένη βάση ανταλλαγής όταν αγοράζετε ένα νέο παρόμοιο προϊόν ή σε μια εξουσιοδοτημένη θέση συλλογής για την ανακύκλωση των αποβλήτων ηλεκτρικού και ηλεκτρονικού εξοπλισμού (ΗΗΕ) και των ηλεκτρικών στηλών και συσσωρευτών. Ο ακατάλληλος χειρισμός αυτού του τύπου αποβλήτων μπορεί να έχει αρνητικό αντίκτυπο στο περιβάλλον και την υγεία του ανθρώπου, λόγω δυνητικά επικίνδυνων ουσιών που

γενικά συνδέονται με τον ΗΗΕ. Η συνεργασία σας για τη σωστή απόρριψη αυτού του προϊόντος θα συμβάλει στην αποτελεσματική χρήση των φυσικών πόρων. Για περισσότερες πληροφορίες σχετικά με ανακύκλωση αυτού του προϊόντος, επικοινωνήστε με το τοπικό γραφείο της πόλης σας, την υπηρεσία απορριμμάτων, το εγκεκριμένο σχήμα ή την υπηρεσία απόρριψης οικιακών αποβλήτων ή επισκεφθείτε τη διεύθυνση www.canon-europe.com/weee ή www.canon-europe.com/battery.

Gjelder kun den europeiske union og EØS (Norge, Island og Liechtenstein)



Disse symbolene indikerer at dette produktet ikke skal kastes sammen med husholdningsavfall, i henhold til WEEE-direktivet (2012/19/EU), batteridirektivet (2006/66/EF) og/eller nasjonal lov som har implementert disse direktivene. Hvis et kjemisk symbol vises under symbolet vist ovenfor, i samsvar med batteridirektivet, indikerer dette at et tungmetall (Hg = kvikksølv, Cd = kadmium, Pb = bly) finnes i batteriet eller akkumulatoren i en konsentrasjon over en gjeldende øvre grense som er spesifisert i batteridirektivet. Produktet må leveres til et dertil egnet innsamlingspunkt, det vil si på en autorisert en-til-en-basis når en kjøper et nytt lignende produkt, eller til et autorisert innsamlingssted for resirkulering av avfall fra elektrisk og elektronisk utstyr (EE-utstyr) og batterier og akkumulatører. Feil håndtering av denne typen avfall kan være miljø- og helseskadelig på grunn av potensielt skadelige stoffer som ofte brukes i EE-utstyr. Din innsats for korrekt avhending av produktet vil bidra til effektiv bruk av naturressurser. Du kan få mer informasjon om resirkulering av dette produktet ved å kontakte lokale myndigheter, avfallsadministrasjonen, et godkjent program eller husholdningens renovasjonsselskap, eller gå til www.canon-europe.com/weee, eller www.canon-europe.com/battery.

Vain Euroopan unionin sekä ETA:n (Norja, Islanti ja Liechtenstein) alueelle.



Nämä tunnukset osoittavat, että sähkö- ja elektroniikkalaiteromua koskeva direktiivi (SER-direktiivi, 2012/19/EU), paristoista ja akuista annettu direktiivi (2006/66/EY) sekä kansallinen lainsäädäntö kieltävät tuotteen hävittämisen talousjätteen mukana. Jos yllä olevan symbolin alapuolelle on paristodirektiivin mukaisesti painettu kemiallisen aineen tunnus, kyseinen paristo tai akku sisältää raskasmetalleja (Hg = elohopea, Cd = kadmium, Pb = lyijy) enemmän kuin paristodirektiivin salliman määrän. Tuote on vietävä asianmukaiseen keräyspisteeseen, esimerkiksi kodinkoneliikkeeseen uutta vastaavaa tuotetta ostettaessa tai viralliseen sähkö- ja elektroniikkalaiteromun tai paristojen ja akkujen keräyspisteeseen. Sähkö- ja elektroniikkalaiteromun virheellinen käsittely voi vahingoittaa ympäristöä ja ihmisten terveyttä, koska laitteet saattavat sisältää ympäristölle ja terveydelle haitallisia aineita. Tuotteen asianmukainen hävittäminen säästää myös luonnonvaroja. Jos haluat lisätietoja tämän tuotteen kierrätyksestä, ota yhteys kunnan jätehuoltoviranomaisiin tai käyttämäsi jätehuoltoyhtiöön tai käy osoitteessa www.canon-europe.com/weee, tai www.canon-europe.com/battery.

Endast för Europeiska unionen och EES (Norge, Island och Liechtenstein)



De här symbolerna visar att produkten inte får sorteras och slängas som hushållsavfall enligt WEEE-direktivet (2012/19/EU), batteridirektivet (2006/66/EG) och/eller nationell lagstiftning som implementerar dessa direktiv. Om en kemisk symbol förekommer under ovanstående symbol innebär detta enligt Batteridirektivet att en tungmetall (Hg = Kvicksilver, Cd = Kadmium, Pb = Bly) förekommer i batteriet eller ackumulatormen med en koncentration som överstiger tillämplig gräns som anges i Batteridirektivet. Produkten ska lämnas in på en avsedd samlingsplats, t.ex. på en återvinningsstation auktoriserad att hantera elektrisk och elektronisk utrustning (EE-utrustning) samt batterier och ackumulatörer eller hos handlare som är auktoriserade att byta in varor då nya, motsvarande köps (en mot en). Olämplig hantering av avfall av den här typen kan ha negativ inverkan på miljön och människors hälsa på grund av de potentiellt farliga ämnen som kan återfinnas i elektrisk och elektronisk utrustning. Din medverkan till en korrekt avfallshantering av produkten bidrar till effektiv användning av naturresurserna. Om du vill ha mer information om var du kan lämna in den här produkten, kontakta ditt lokala kommunkontor, berörd myndighet eller företag för avfallshantering eller se www.canon-europe.com/weee, eller www.canon-europe.com/battery.

Pouze Evropská unie a EHP (Norsko, Island a Lichtenštejnsko)



Tento symbol znamená, že podle směrnice OEEZ (2012/19/EU), směrnice o bateriích (2006/66/ES) a/ nebo podle vnitrostátních právních prováděcích předpisů k těmto směrnici nemá být tento výrobek likvidován s odpadem z domácností. Je-li v souladu s požadavky směrnice o bateriích vytištěna pod výše uvedeným symbolem chemická značka, udává, že tato baterie nebo akumulátor obsahuje těžké kovy (Hg = rtuť, Cd = kadmium, Pb = olovo) v koncentraci vyšší, než je příslušná hodnota předepsaná směrnici. Tento výrobek má být vrácen do určeného sběrného místa, např. v rámci autorizovaného systému odběru jednoho výrobku za jeden nově prodaný podobný výrobek, nebo do autorizovaného sběrného místa pro recyklaci odpadních elektrických a elektronických zařízení (OEEZ), baterií a akumulátorů. Nevhodné nakládání s tímto druhem odpadu by mohlo mít negativní dopad na životní prostředí a lidské zdraví, protože elektrická a elektronická zařízení zpravidla obsahují potenciálně nebezpečné látky. Vaše spolupráce na správné likvidaci tohoto výrobku napomůže efektivnímu využívání přírodních zdrojů. Chcete-li získat podrobné informace týkající se recyklace tohoto výrobku, obraťte se prosím na místní úřad, orgán pro nakládání s odpady, schválený systém nakládání s odpady či společnost zajišťující likvidaci domovního odpadu, nebo navštivte webové stránky www.canon-europe.com/weee nebo www.canon-europe.com/battery.

Csak az Európai Unió és az EGT (Norvégia, Izland és Liechtenstein) országában



Ezek a szimbólumok azt jelzik, hogy a termék hulladékkezelése a háztartási hulladéktól különválasztva, az elektromos és elektronikus berendezések hulladékairól (WEEE) szóló (2012/19/EU) irányelvnek és az elemekről és akkumulátorokról, valamint a hulladék elemekről és akkumulátorokról szóló (2006/66/EK) irányelvnek megfelelően és/vagy ezen irányelveknek megfelelő helyi előírások szerint történik.

Amennyiben a fent feltüntetett szimbólum alatt egy vegyjel is szerepel, az elemekről és akkumulátorokról szóló irányelvben foglaltak értelmében ez azt jelzi, hogy az elem vagy az akkumulátor az irányelvben meghatározott határértéknél nagyobb mennyiségben tartalmaz nehézfémeket (Hg = higany, Cd = kadmium, Pb = ólom). E terméket az arra kijelölt gyűjtőhelyre kell juttatni – pl. hasonló termék vásárlásakor a régi becserélésére vonatkozó hivatalos program keretében, vagy az elektromos és elektronikus berendezések (EEE) hulladékainak gyűjtésére, valamint a hulladék elemek és hulladék akkumulátorok gyűjtésére kijelölt hivatalos gyűjtőhelyre. Az ilyen jellegű hulladékok nem előírászerű kezelése az elektromos és elektronikus berendezésekhez (EEE) általánosan kapcsolható potenciálisan veszélyes anyagok révén hatással lehet a környezetre és az egészségre. E termék megfelelő leselejtezésével Ön is hozzájárul a természeti források hatékony használatához. A termék újrahasznosítását illetően informálódjon a helyi polgármesteri hivatalnál, a helyi közterület-fenntartó vállalatnál, a hivatalos hulladéklerakó telephelyen vagy a háztartási hulladék begyűjtését végző szolgáltatónál, illetve látogasson el a www.canon-europe.com/wEEE, vagy www.canon-europe.com/battery internetes oldalra.

Tylko dla krajów Unii Europejskiej oraz EOG (Norwegia, Islandia i Liechtenstein)



Te symbole oznaczają, że produkt nie należy wyrzucać razem z odpadami gospodarstwa domowego, zgodnie z dyrektywą WEEE w sprawie zużytego sprzętu elektrycznego i elektronicznego (2012/19/UE) lub dyrektywą w sprawie baterii (2006/66/WE) bądź przepisami krajowymi wdrażającymi te dyrektywy. Jeśli pod powyższym symbolem znajduje się symbol chemiczny, zgodnie z dyrektywą w sprawie baterii oznacza to, że bateria lub akumulator zawiera metal ciężki (Hg = rtęć, Cd = kadm, Pb = ołów) w stężeniu przekraczającym odpowiedni poziom określony w dyrektywie w sprawie baterii. Użytkownicy baterii i akumulatorów mają obowiązek korzystać z dostępnego programu zwrotu, recyklingu i utylizacji baterii oraz akumulatorów. Niewłaściwe postępowanie z tego typu odpadami może mieć wpływ na środowisko i zdrowie ludzi ze względu na substancje potencjalnie niebezpieczne, związane ze użytym sprzętem elektrycznym i elektronicznym. Państwa współpraca w zakresie właściwej utylizacji tego produktu przyczyni się do efektywnego wykorzystania zasobów naturalnych. W celu uzyskania informacji o sposobie recyklingu tego produktu prosimy o kontakt z właściwym urzędem miejskim lub zakładem gospodarki komunalnej bądź zapraszamy na stronę www.canon-europe.com/wEEE, lub www.canon-europe.com/battery.

Platí len pre štáty Európskej únie a EHP (Nórsko, Island a Lichtenštajnsko)



Tieto symboly označujú, že podľa Smernice o odpade z elektrických a elektronických zariadení (OEEZ) 2012/19/EÚ, Smernice o batériách (2006/66/ES) a podľa platnej legislatívy Slovenskej republiky sa tento produkt nesmie likvidovať spolu s komunálnym odpadom. Ak je chemická značka vytlačená pod vyššie uvedeným symbolom, znamená to, že táto batéria alebo akumulátor obsahuje ťažký kov (Hg = ortuť, Cd = kadmium, Pb = olovo) v koncentrácii vyššej, ako je príslušná povolená hodnota stanovená v Smernici o batériách. Produkt je potrebné odovzdať do určenej zberne, napr. prostredníctvom výmeny za kúpu nového podobného produktu, alebo na autorizované zberné miesto, ktoré spracúva odpad z elektrických a elektronických zariadení (EEZ), batérií a akumulátorov. Nesprávna manipulácia s takýmto typom odpadu môže mať negatívny vplyv na životné prostredie a ľudské zdravie, pretože elektrické a elektronické zariadenia obsahujú potenciálne nebezpečné látky. Spoluprácou na správnej likvidácii tohto produktu prispějete k účinnému využívaniu prírodných zdrojov. Ďalšie informácie o recyklácii tohto produktu získate od miestneho úradu, úradu životného prostredia, zo schváleného plánu OEEZ alebo od spoločnosti, ktorá zaisťuje likvidáciu komunálneho odpadu. Viac informácií nájdete aj na webovej stránke: www.canon-europe.com/weee, alebo www.canon-europe.com/battery.

Üksnes Euroopa Liit ja EMP (Norra, Island ja Liechtenstein)



Antud sümbolid viitavad sellele, et vastavalt elektri- ja elektroonikaseadmete jäätmeid käsitlevale direktiivile (2012/19/EL), patareisid ja akusid ning patarei- ja akujäätmeid käsitlevale direktiivile (2006/66/EÜ) ja/või nimetatud direktiive rakendavatele riiklikele õigusaktidele ei või seda toodet koos olmejäätmetega ära visata. Kui keemiline sümbol on trükitud eespool toodud sümboli alla, siis tähendab see, et antud patareis või akus leiduva raskemetalli (Hg = elavhõbe, Cd = kaadmium, Pb = plii) kontsentratsioonitase on kõrgem kui patareisid ja akusid ning patarei- ja akujäätmeid käsitlevas direktiivis sätestatud piirmäär. Antud tootest tekkinud jäätmed tuleb anda vastavasse kogumispunkti, nt müügipunkti, mis on volitatud üks ühe vastu vahetama, kui ostate uue sarnase toote, või vastavasse elektri- ja elektroonikaseadmete jäätmete ning patareide ja akude ümbertöötlemiseks mõeldud kogumispunkti. Antud liiki jäätmete vale käitlemine võib kahjustada keskkonda ja inimeste tervist elektri- ja elektroonikajäätmetes tavaliselt leiduvate potentsiaalselt ohtlike ainete tõttu. Antud tootest tekkinud jäätmete nõuetekohase kõrvaldamisega aitate kasutada loodusvarasid efektiivselt. Täiendava teabe saamiseks elektri- ja elektroonikaseadmetest tekkinud jäätmete ning patarei- ja akujäätmete tagastamise ja ümbertöötlemise kohta võtke ühendust kohaliku omavalitsusega, asjakohase valitsusasutusega, asjakohase tootjavastutusorganisatsiooniga või olmejäätmete käitlejaga. Lisateavet leitate ka Interneti-leheküljelt www.canon-europe.com/weee või www.canon-europe.com/battery.

Tikai Eiropas Savienībai un EEZ (Norvēģijai, Islandei un Lihtenšteinai)



Šie simboli norāda, ka atbilstoši ES Direktīvai (2012/19/ES) par elektrisko un elektronisko iekārtu atkritumiem (EEIA), Direktīvai (2006/66/EK) par baterijām un akumulatoriem, un akumulatoru atkritumiem, ar ko atceļ Direktīvu 91/157/EEK, un vietējiem tiesību aktiem šo izstrādājumu nedrīkst izmest kopā ar sadzīves atkritumiem. Ja zem iepriekš norādītā simbola ir uzdrukāts ķīmiskais simbols, saskaņā ar direktīvu par baterijām un akumulatoriem tas nozīmē, ka šīs baterijas vai akumulatori satur smagos metālus (Hg = dzīvsudrabs, Cd = kadmījs, Pb = svins) un to koncentrācijas līmenis pārsniedz direktīvā par baterijām un akumulatoriem minēto piemērojamo sliekšni. Šis izstrādājums ir jānodod piemērotā savākšanas vietā, piemēram, apstiprinātā veikalā, kur iegādājaties līdzīgu jaunu produktu un atstājat veco, vai apstiprinātā vietā izlietotu elektrisko un elektronisko iekārtu un bateriju un akumulatoru pārstrādei. Nepareiza šāda veida atkritumu apsaimniekošana var apdraudēt vidi un cilvēka veselību tādu iespējami bīstamu vielu dēļ, kas parasti ir elektriskajās un elektroniskajās iekārtās. Jūsu atbalsts pareizā šāda veida atkritumu apsaimniekošanā sekmēs efektīvu dabas resursu izmantošanu. Lai saņemtu pilnīgāku informāciju par šāda veida izstrādājumu nodošanu otrreizējai pārstrādei, sazinieties ar vietējo pašvaldību, atkritumu savākšanas atbildīgo dienestu, pilnvaroto organizāciju vai iestādi, kas veic sadzīves atkritumu apsaimniekošanu, vai apmeklējiet tīmekļa vietni www.canon-europe.com/weee, vai www.canon-europe.com/battery.

Tik Europos Sąjungai ir EEE (Norvegijai, Islandijai ir Lichtenšteinui)



Šie simbolie reiškia, kad šio gaminių negalima išmesti į buitines atliekas, kaip reikalaujama WEEE Direktyvoje (2012/19/ES) ir Baterijų direktyvoje (2006/66/EB) ir (ar) jūsų šalies nacionaliniuose įstatymuose, kuriais šios Direktyvos yra įgyvendinamos. Jeigu cheminio ženklo simbolis yra nurodytas žemiau šio ženklo, tai reiškia, kad vadovaujantis Baterijų direktyvą, baterijų ar akumuliatorių sudėtyje yra sunkiųjų metalų (Hg = gyvsidabris, Cd = kadmio, Pb = švino), kurių koncentracija viršija Baterijų direktyvoje nurodytas leistinas ribas. Šį gaminį reikia pristatyti į specialųjį surinkimo punktą, pavyzdžiui, mainais, kai jūs perkate naują panašų gaminį, arba į specialiąją surinkimo vietą, kurioje perdirbamos elektrinės ir elektroninės įrangos atliekos bei naudotos baterijos ir akumuliatoriai. Dėl netinkamo šio tipo atliekų tvarkymo gali nukentėti aplinka ir iškilti grėsmė žmogaus sveikatai dėl galimai kenksmingų medžiagų, iš esmės susijusių su elektrine ir elektronine įranga. Bendradarbiaudami ir teisingai utilizuodami šiuos gaminius, jūs padėsite efektyviai naudoti gamtinius išteklius. Daugiau informacijos apie gaminių perdirbimą jums gali suteikti vietinis biuras, atliekų tvarkymo bendrovė, sertifikuoti organai ar buitinių atliekų surinkimo įmonės. Taip pat siūloma apsilankyti interneto svetainėje www.canon-europe.com/weee, arba www.canon-europe.com/battery.

Samo za Evropsko unijo in EGP (Norveška, Islandija in Lihtenštajn)



Ti simboli pomenijo, da tega izdelka skladno z Direktivo OEE0 (2012/19/EU), Direktivo 2006/66/ES in/ali nacionalno zakonodajo, ki uvaja ti direktivi, ne smete odlagati z nesortiranimi gospodinjскими odpadki. Če je pod zgoraj prikazanim simbolom natisnjen kemijski simbol, to v skladu z Direktivo pomeni, da je v tej bateriji ali akumulatorju prisotna težka kovina (Hg = živo srebro, Cd = kadmij, Pb = svinec), in sicer v koncentraciji, ki je nad relevantno mejno vrednostjo, določeno v Direktivi. Ta izdelek je potrebno odnesti na izbrano zbirno mesto, t. j. pooblaščen trgovino, kjer ob nakupu novega (podobnega) izdelka vrnete starega, ali na pooblaščen zbirno mesto za ponovno uporabo odpadne električne in elektronske opreme (EEO) ter baterij in akumulatorjev. Neustrezno ravnanje s to vrsto odpadkov lahko negativno vpliva na okolje in človeško zdravje zaradi potencialno nevarnih snovi, ki so pogosto povezane z EEO. Vaše sodelovanje pri pravilnem odlaganju tega izdelka predstavlja pomemben prispevek k smotrni izrabi naravnih virov. Za več informacij o ponovni uporabi tega izdelka se obrnite na lokalni mestni urad, pristojno službo za odpadke, predstavnika pooblaščenega programa za obdelavo odpadkov ali na lokalno komunalno. Lahko pa tudi obiščete našo spletno stran www.canon-europe.com/weee, ali www.canon-europe.com/battery.

Само за Европейския съюз и ЕИП (Норвегия, Исландия и Лихтенщайн)



Тези символи показват, че този продукт не трябва да се изхвърля заедно с битовите отпадъци съгласно Директивата за ИУЕЕО (2012/19/ЕС), Директивата за батерии (2006/66/ЕО) и/или Вашето национално законодателство, прилагащо тези Директиви. Ако под показания горе символ е отпечатан символ за химически елемент, съгласно разпоредбите на Директивата за батерии, този втори символ означава наличието на тежък метал (Hg = живак, Cd = кадмий, Pb = олово) в батерията или акумулатора в концентрация над указаната граница за съответния елемент в Директивата. Този продукт трябва да бъде предаден в предназначен за целта пункт за събиране, например на база размяна, когато купувате нов подобен продукт, или в одобрен събирателен пункт за рециклиране на излязло от употреба електрическо и електронно оборудване (ИУЕЕО), батерии и акумулатори. Неправилното третиране на този тип отпадъци може да доведе до евентуални отрицателни последици за околната среда и човешкото здраве поради потенциално опасните вещества, които обикновено са свързани с ЕЕО. В същото време Вашето съдействие за правилното изхвърляне на този продукт ще допринесе за ефективното използване на природните ресурси. За повече информация относно това къде можете да предадете за рециклиране на този продукт, моля свържете се с Вашите местни власти, с органа, отговорен за отпадъците, с одобрената система за ИУЕЕО или с Вашата местна служба за битови отпадъци, или посетете www.canon-europe.com/weee, или www.canon-europe.com/battery.

Doar pentru Uniunea Europeană și EEA (Norvegia, Islanda și Liechtenstein)



Aceste simboluri indică faptul că acest produs nu trebuie aruncat împreună cu deșeurile menajere, în conformitate cu Directiva DEEE (2012/19/UE), Directiva referitoare la baterii (2006/66/CE) și/sau legile dvs. naționale ce implementează aceste Directive. Dacă un simbol chimic este imprimat sub simbolul de mai sus, în conformitate cu Directiva referitoare la baterii, acest simbol indică prezența în baterie sau acumulator a unui metal greu (Hg = Mercur, Cd = Cadmiu, Pb = Plumb) într-o concentrație mai mare decât pragul admis specificat în Directiva referitoare la baterii. Acest produs trebuie înmănat punctului de colectare adecvat, ex: printr-un schimb autorizat unu la unu atunci când cumpărați un produs nou similar sau la un loc de colectare autorizat pentru reciclarea reziduurilor de echipament electric și electronic (EEE) și baterii și acumulatori. Administrarea neadecvată a acestui tip de deșeuri, ar putea avea un impact asupra mediului și asupra sănătății umane datorită substanțelor cu potențial de risc care sunt în general asociate cu EEE. Cooperarea dvs. în direcția reciclării corecte a acestui produs va contribui la o utilizare eficientă a resurselor naturale. Pentru mai multe informații despre reciclarea acestui produs, vă rugăm să contactați biroul dvs. local, autoritățile responsabile cu deșeurile, schema aprobată sau serviciul dvs. responsabil cu deșeurile menajere sau vizitați-ne la www.canon-europe.com/weee, sau www.canon-europe.com/battery.

Samo za Europsku uniju i EEA (Norveška, Island i Lihtenštajn)



Oznaka pokazuje da se ovaj proizvod ne smije odlagati s komunalnim i ostalim vrstama otpada, u skladu s direktivom WEEE (2012/19/EC), Direktivom o baterijama (2006/66/EC) i Pravilnikom o gospodarenju otpadnim baterijama i akumulatorima te Pravilnikom o gospodarenju otpadnim električnim i elektroničkim uređajima i opremom. Ako je ispod prethodno prikazane oznake otisnut kemijski simbol, u skladu s Direktivom o baterijama, to znači da se u ovoj bateriji ili akumulatoru nalazi teški metal (Hg = živa, Cd = kadmij, Pb = olovo) i da je njegova koncentracija iznad razine propisane u Direktivi o baterijama. Ovaj bi proizvod trebalo predati ovlaštenom skupljaču EE otpada ili prodavatelju koji je dužan preuzeti otpadni proizvod po sistemu jedan za jedan, ukoliko isti odgovara vrsti te je obavljao primarne funkcije kao i isporučena EE oprema. Otpadne baterije i akumulatori predaju se ovlaštenom skupljaču otpadnih baterija ili akumulatora ili prodavatelju bez naknade i obveze kupnje za krajnjeg korisnika. Neodgovarajuće rukovanje ovom vrstom otpada može utjecati na okoliš i ljudsko zdravlje zbog potencijalno opasnih supstanci koje se najčešće nalaze na takvim mjestima. Vaša suradnja u pravilnom zbrinjavanju ovog proizvoda pridonijet će djelotvornom iskorištavanju prirodnih resursa. Dodatne informacije o recikliranju ovog proizvoda zatražite od svog lokalnog gradskog ureda, službe za zbrinjavanje otpada, odobrenog programa ili komunalne službe za uklanjanje otpada ili pak na stranicama www.canon-europe.com/weee ili www.canon-europe.com/battery.

Korisnici u Srbiji



Ovaj simbol označava da ovaj proizvod ne sme da se odlaže sa ostalim kućnim otpadom, u skladu sa WEEE Direktivom (2012/19/EU), Direktivom o baterijama (2006/66/EC) i nacionalnim zakonima. Ukoliko je ispod gore navedenog simbola odštampan hemijski simbol, u skladu sa Direktivom o baterijama, ovaj simbol označava da su u ovoj bateriji ili akumulatoru prisutni teški metali (Hg – živa, Cd – kadmijum, Pb - olovo) u koncentracijama koje premašuju prihvatljivi prag naveden u Direktivi o baterijama. Ovaj proizvod treba predati određenom centru za prikupljanje, npr. po principu „jedan-za-jedan“ kada kupujete sličan novi proizvod, ili ovlašćenom centru za prikupljanje za reciklažu istrošene električne i elektronske opreme (EEE), baterija i akumulatora. Nepravilno rukovanje ovom vrstom otpada može imati negativne posledice po životnu sredinu i ljudsko zdravlje usled potencijalno opasnih materijala koji se uglavnom vezuju za EEE. Vaša saradnja na ispravnom odlaganju ovog proizvoda će doprineti efikasnom korišćenju prirodnih resursa. Više informacija o tome kako možete da recikirate ovaj proizvod potražite od lokalnih gradskih vlasti, komunalne službe, odobrenog plana reciklaže ili servisa za odlaganje kućnog otpada, ili posetite stranicu www.canon-europe.com/weee, ili www.canon-europe.com/battery.

When Repairing, Lending, or Disposing of the Printer

If you have entered personal data, passwords and/or other security settings on the printer, such information may be stored in the printer.

When sending the printer for repair, lending or transferring the printer to another person, or disposing of the printer, please be sure to follow the steps below in order to delete such information and prevent third parties from accessing it.

- **Various settings > Printer settings > Reset settings > Reset all > Yes**

Legal Restrictions on Printing

Printing or modifying printed copies of the following may be punishable under law.

This list is non-exhaustive. When in doubt, check with a local legal representative.

- Paper money
- Money orders
- Certificates of deposit
- Postage stamps (canceled or uncanceled)
- Identification badges or insignia
- Selective service or draft papers
- Checks or drafts issued by governmental agencies
- Motor vehicle licenses and certificates of title
- Traveler's checks
- Food stamps
- Passports
- Immigration papers
- Internal revenue stamps (canceled or uncanceled)
- Bonds or other certificates of indebtedness
- Stock certificates
- Copyrighted works or works of art, without the owner's consent

Screenshots in This Manual

For Windows:

The screenshots used in this manual are the screens that appear when the operating system Windows 10 is used.

For macOS:

The screenshots used in this manual are the screens that appear when the operating system macOS Mojave 10.14 is used.

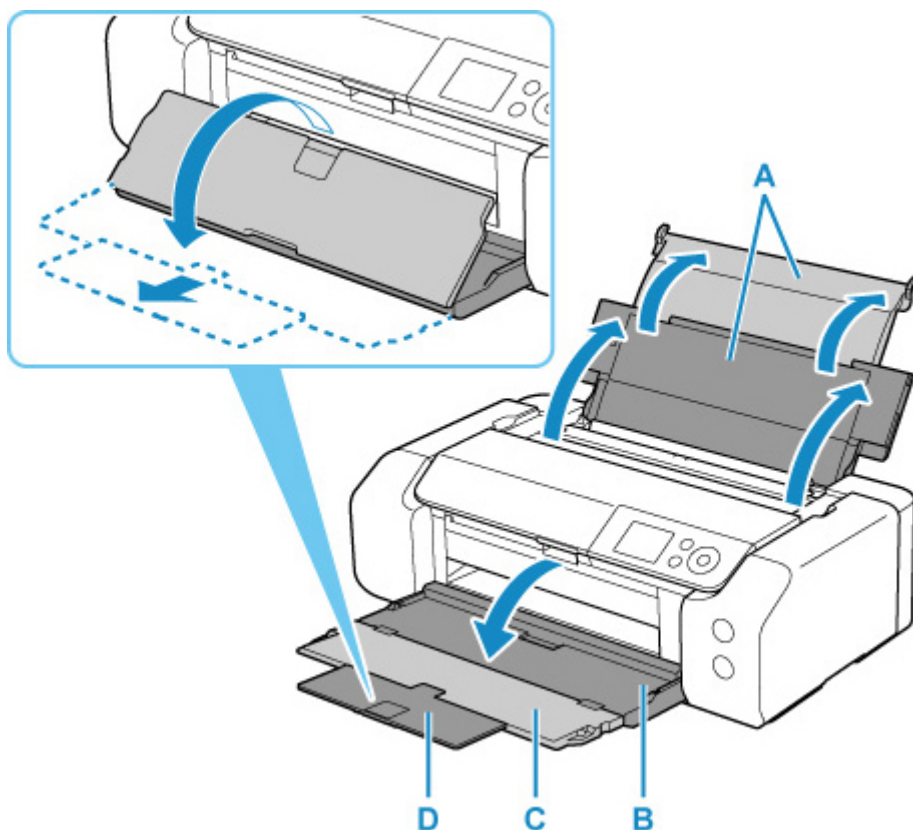
Basic Printing Workflow

- **Printing Photos from a Computer (Windows)**
- **Printing Photos from a Computer (macOS)**

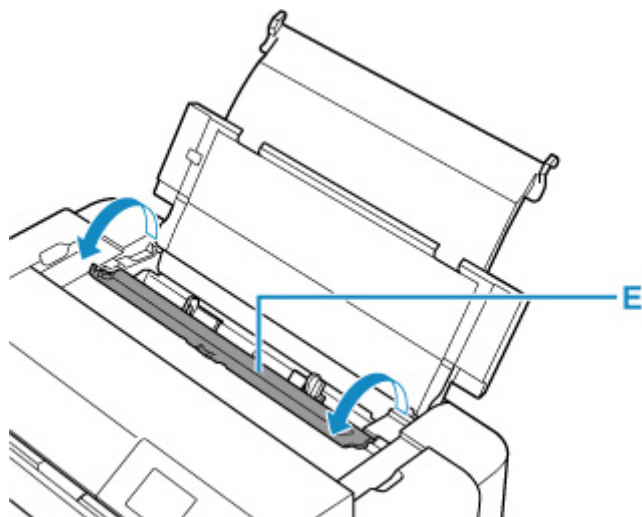
Printing Photos from a Computer (Windows)

This section describes how to print photos with a software application on your computer.

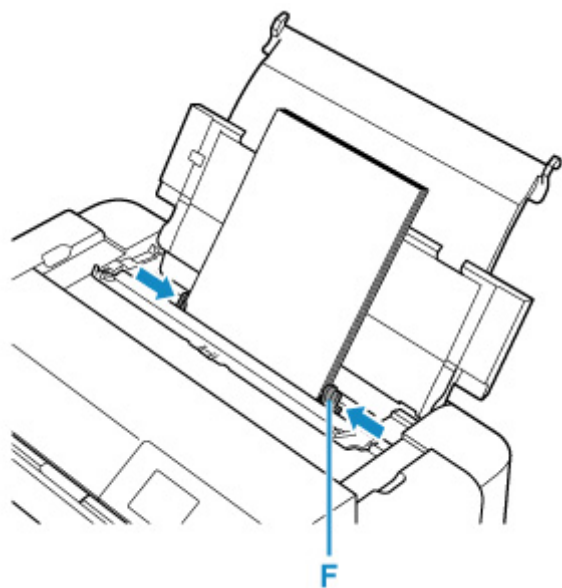
1. Open the paper support (A) of the top feed.
2. Open the paper output tray (B) gently.
3. Open the output tray extension (C), then pull out the paper output support (D).



4. Open the feed slot cover (E).

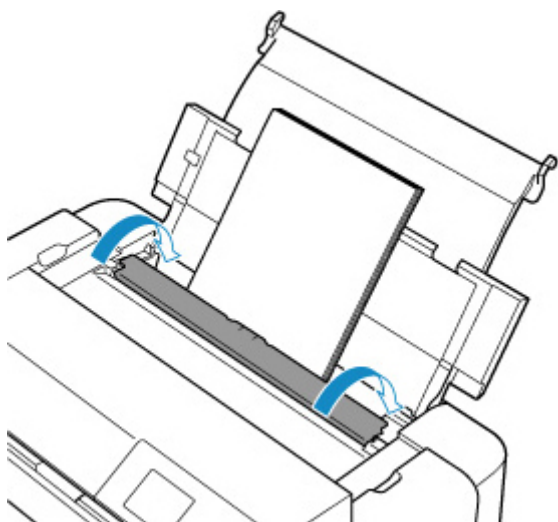


5. Slide right paper guide (F) to open both paper guides and load the paper in the center of the top feed WITH THE PRINT SIDE FACING YOU.
6. Slide right paper guide (F) to align both paper guides with both sides of the paper stack.

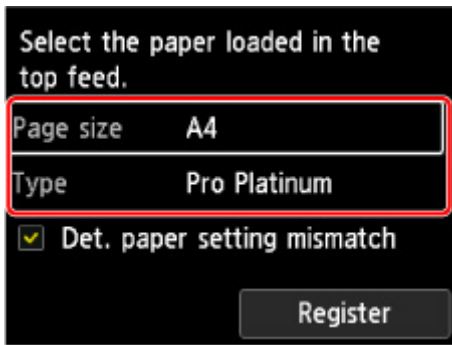


7. Close feed slot cover gently.

The paper information registration screen for the top feed is displayed on the LCD.



8. Select the size and type of paper loaded in the top feed at **Page size** and **Type**, select **Register**, then press the **OK** button.



9. Select Print from the software application's menu.

In general, select **Print** on the **File** menu to open the **Print** dialog box.

10. Select your model name and click **Preferences** (or **Properties**).

The printer driver setup window appears.

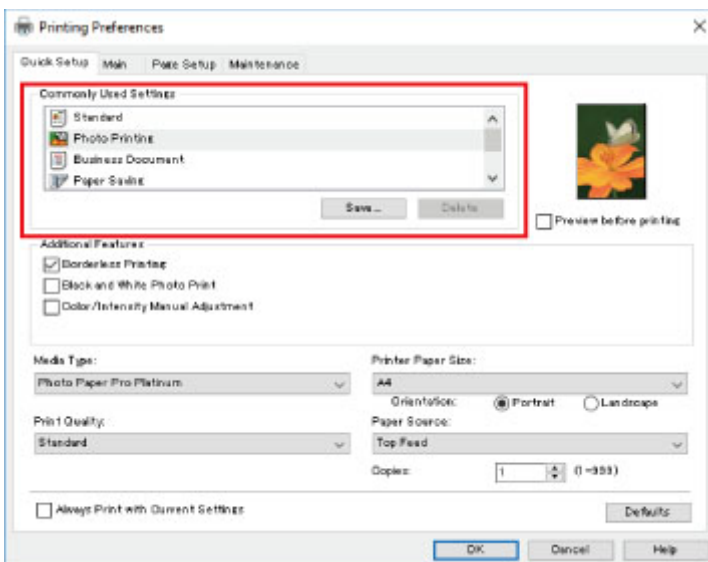
▶▶▶ Note

- Depending on software application you use, command names or menu names may vary and there may be more steps. For details, refer to the user's manual of your software application.

11. Select a frequently used profile.

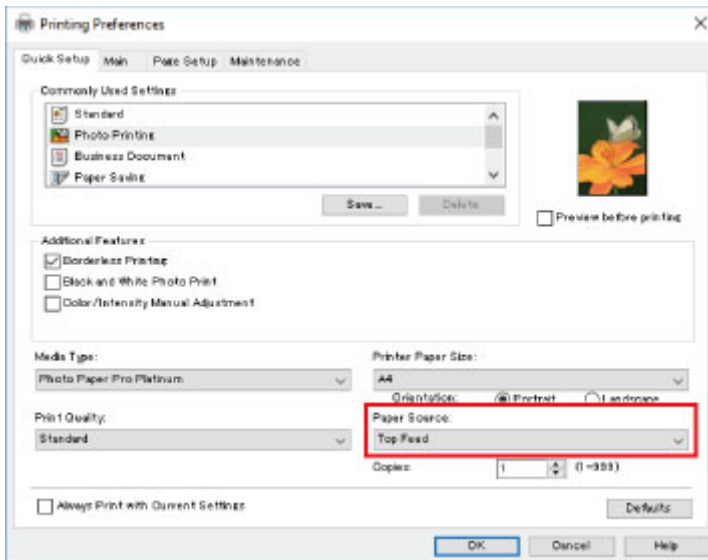
In **Commonly Used Settings** on the **Quick Setup** tab, select a printing profile suited for the purpose.

When you select a printing profile, the **Additional Features**, **Media Type**, and **Printer Paper Size** settings are automatically switched to the values that were preset.



12. Select the paper source.

Select **Top Feed** at **Paper Source**.



13. After completing the setup, click **OK**, then execute print.

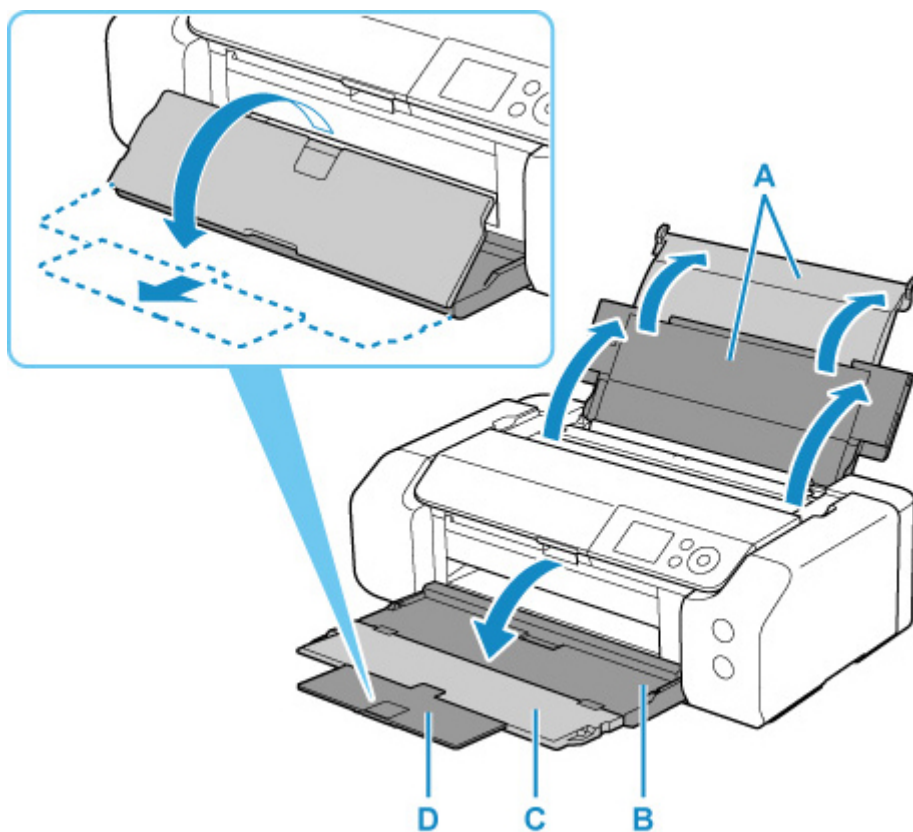
➤➤➤ Note

- The printer driver setup window enables you to specify various settings for printing.
 - ➔ [Printing from Application Software \(Windows Printer Driver\)](#)
- For printing on long-length paper (paper that the length is up to 39.00 in. (990.6 mm)), make sure enough ink remains.

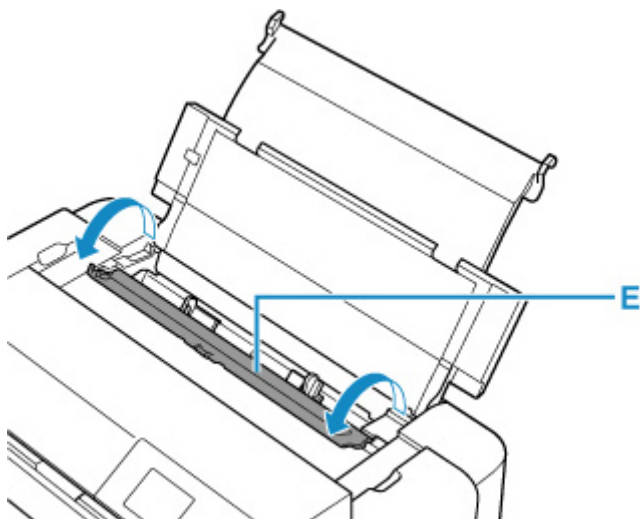
Printing Photos from a Computer (macOS)

This section describes how to print photos with a software application on your computer.

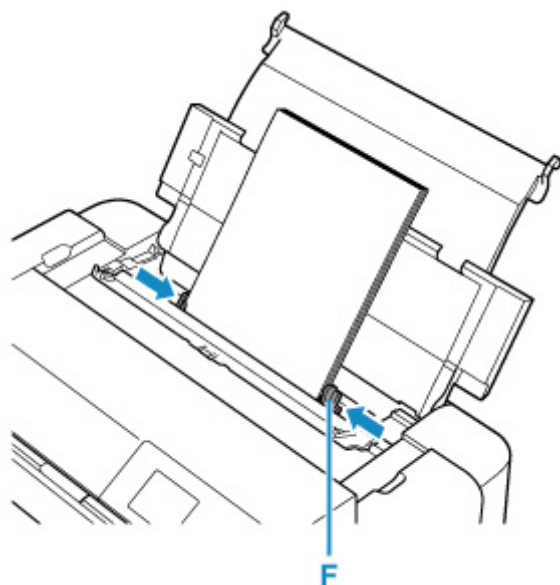
1. Open the paper support (A) of the top feed.
2. Open the paper output tray (B) gently.
3. Open the output tray extension (C), then pull out the paper output support (D).



4. Open the feed slot cover (E).

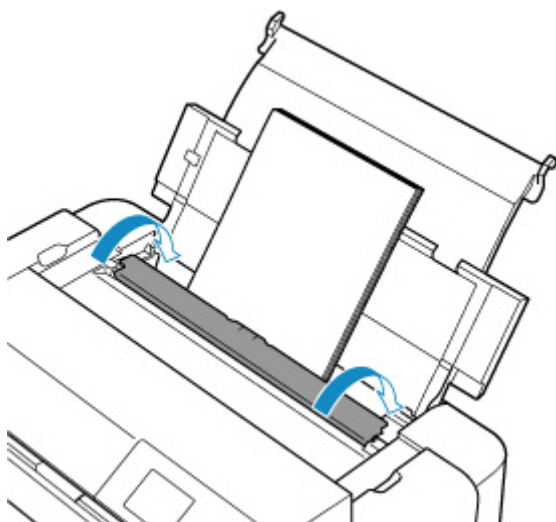


5. Slide right paper guide (F) to open both paper guides and load the paper in the center of the top feed WITH THE PRINT SIDE FACING YOU.
6. Slide right paper guide (F) to align both paper guides with both sides of the paper stack.

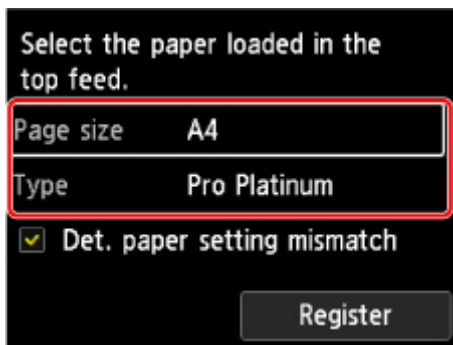


7. Close feed slot cover gently.

The paper information registration screen for the top feed is displayed on the LCD.



8. Select the size and type of paper loaded in the top feed at **Page size** and **Type**, select **Register**, then press the **OK** button.



9. Select Print from the software application's menu.

In general, select **Print...** from the **File** menu to open the Print dialog.

▶▶▶ **Note**

- For details on the operations of software application you use, refer to the user's manual of your software application.

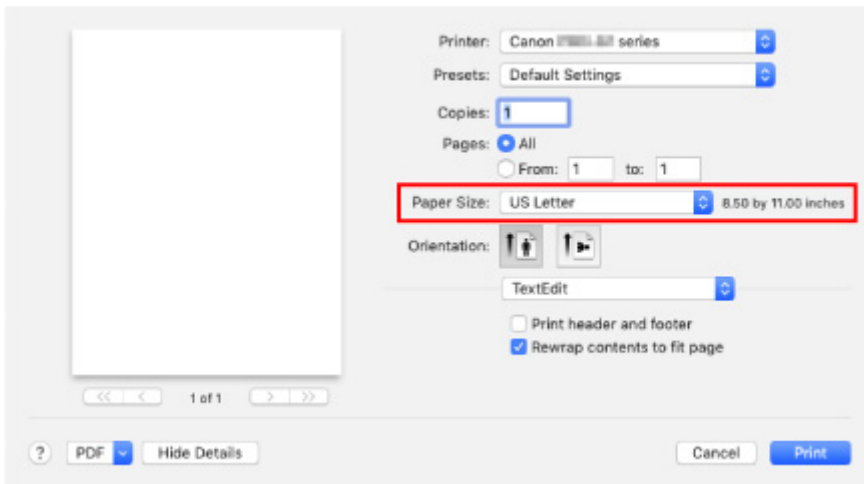
10. Select your model from the **Printer** list.

Click **Show Details** to switch the Setup window to the detailed display.

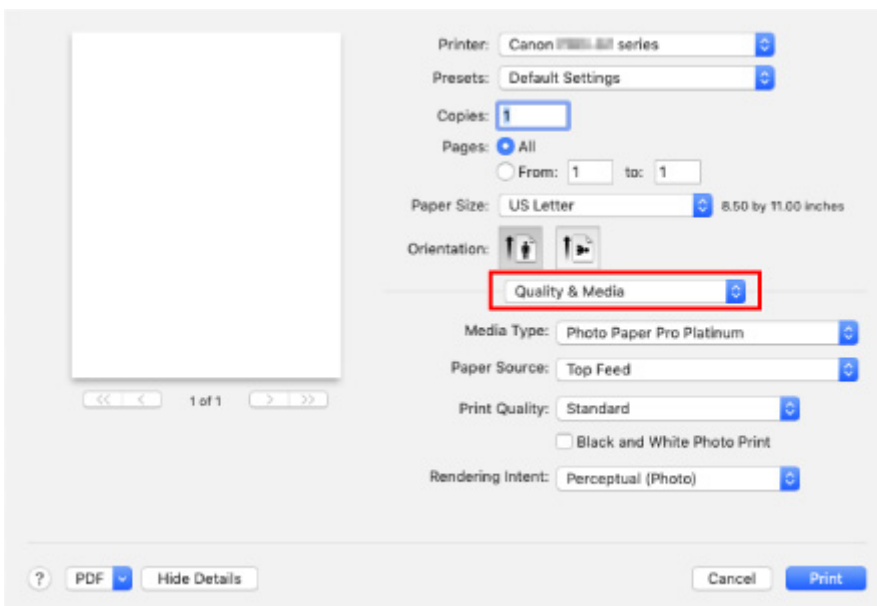


11. Select the paper size.

For **Paper Size**, select the paper size to be used.



12. Select **Quality & Media** from the pop-up menu.

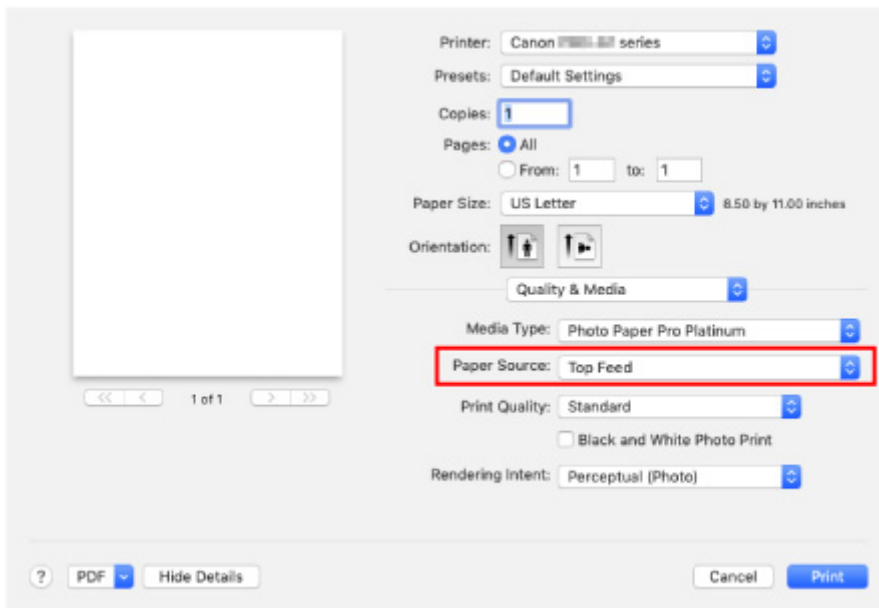


13. Select the media type.

For **Media Type**, select the same paper type loaded in the printer.

14. Select the paper source.

Select **Top Feed** at **Paper Source**.




15. After completing the setup, click **Print**, then execute print.


▶▶▶ Note

- The Print dialog of the printer driver enables you to specify various settings for printing.
 - ➡ Printing from Application Software (macOS Printer Driver)
- For printing on long-length paper (paper that the length is up to 39.00 in. (990.6 mm)), make sure enough ink remains.

Enhanced Printing Options

► Printing from Your Computer

- Printing from Application Software (Windows Printer Driver)
 - Basic Printing Setup  **Basics**
 - Paper Settings on the Printer Driver and the Printer (Media Type)
 - Paper Settings on the Printer Driver and the Printer (Paper Size)
 - Various Printing Methods
 - Setting a Page Size and Orientation
 - Setting the Number of Copies and Printing Order
 - Perform Borderless Printing
 - Scaled Printing
 - Page Layout Printing
 - Tiling/Poster Printing
 - Duplex Printing
 - Printing on Postcards
 - Changing the Clear Coating Settings
 - Setting Paper Dimensions (Custom Size)
 - Setting the Stapling Margin
 - Fit-to-Page Printing
 - Booklet Printing
 - Stamp/Background Printing
 - Registering a Stamp
 - Registering Image Data to be Used as a Background
 - Switching the Paper Source to Match the Purpose
 - Displaying the Print Results before Printing
 - Changing the Print Quality and Correcting Image Data
 - Setting the Print Quality Level (Custom)
 - Printing a Color Document in Monochrome
 - Specifying Color Correction
 - Optimal Photo Printing of Image Data
 - Adjusting Colors with the Printer Driver
 - Printing with ICC Profiles

- [Interpreting the ICC Profile](#)
 - [Adjusting Tone](#)
 - [Adjusting Color Balance](#)
 - [Adjusting Brightness](#)
 - [Adjusting Contrast](#)
- **Printing from Application Software (macOS Printer Driver)**
 - **Basic Printing Setup  Basics**
 - Paper Settings on the Printer Driver and the Printer (Media Type)
 - Paper Settings on the Printer Driver and the Printer (Paper Size)
 - **Various Printing Methods**
 - Setting the Number of Copies and Printing Order
 - Perform Borderless Printing
 - Scaled Printing
 - Page Layout Printing
 - Printing on Postcards
 - Changing the Clear Coating Settings
 - Setting Paper Dimensions (Custom Size)
 - Setting the Stapling Margin
 - Scaling the Printing to Fit the Paper Size
 - Switching the Paper Source to Match the Purpose
 - **Changing the Print Quality and Correcting Image Data**
 - Setting the Print Quality Level (Custom)
 - Printing a Color Document in Monochrome
 - Specifying Color Correction
 - Optimal Photo Printing of Image Data
 - Adjusting Colors with the Printer Driver
 - Printing with ICC Profiles (Specifying an ICC Profile from the Application Software)
 - Printing with ICC Profiles (Specifying an ICC Profile from the Printer Driver)
 - Interpreting the ICC Profile
 - Adjusting Tone
 - Adjusting Color Balance
 - Adjusting Brightness
 - Adjusting Contrast

- **Printing Using a Web Service**

- **Printing with Google Cloud Print**

- Getting Google Account
 - Registering Printer with Google Cloud Print
 - Printing from Computer or Smartphone with Google Cloud Print
 - Deleting Printer from Google Cloud Print

- **Printing Using AirPrint**

- **Printing from Smartphone/Tablet**

- **Printing from iPhone/iPad/iPod touch (iOS)**

- Printing from iOS Device (AirPrint)
 - Printing with Google Cloud Print
 - Using PIXMA/MAXIFY Cloud Link

- **Printing from Smartphone/Tablet (Android)**

- Printing with Google Cloud Print
 - Using PIXMA/MAXIFY Cloud Link
 - Printing with Mopria Print Service
 - Printing with Canon Print Service

- **Connecting with Wireless Direct**

- **Printing Using Operation Panel**

- **Printing Templates Such as Lined or Graph Paper**

- **Printing from Digital Camera**

- **Printing Photographs Directly from PictBridge (Wi-Fi) Compliant Device**
 - **PictBridge (Wi-Fi) Print Settings**

Printing from Your Computer

- **Printing from Application Software (Windows Printer Driver)**
- **Printing from Application Software (macOS Printer Driver)**
- **Printing Using a Web Service**

Printing from Application Software (Windows Printer Driver)

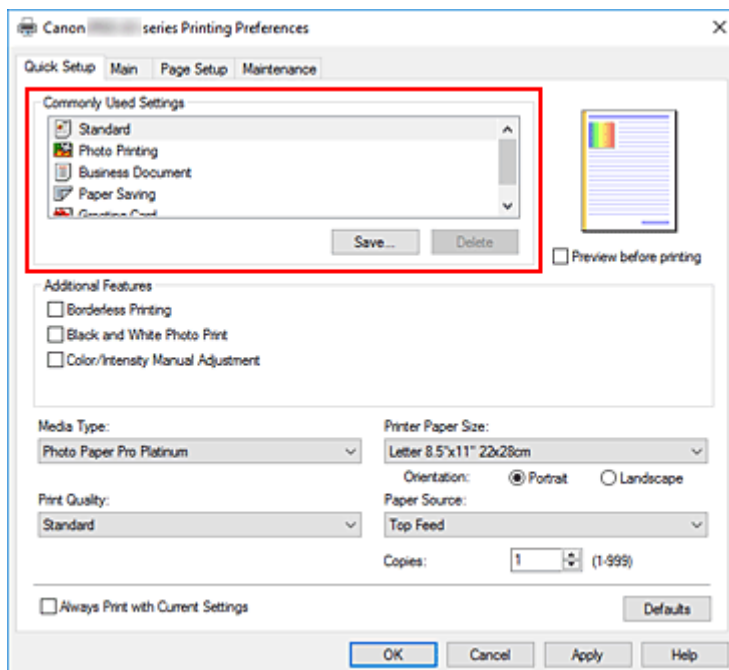
- **Basic Printing Setup** 📌 **Basic**
- **Various Printing Methods**
- **Changing the Print Quality and Correcting Image Data**

Basic Printing Setup

This section describes settings on the [Quick Setup tab](#) used for basic printing.

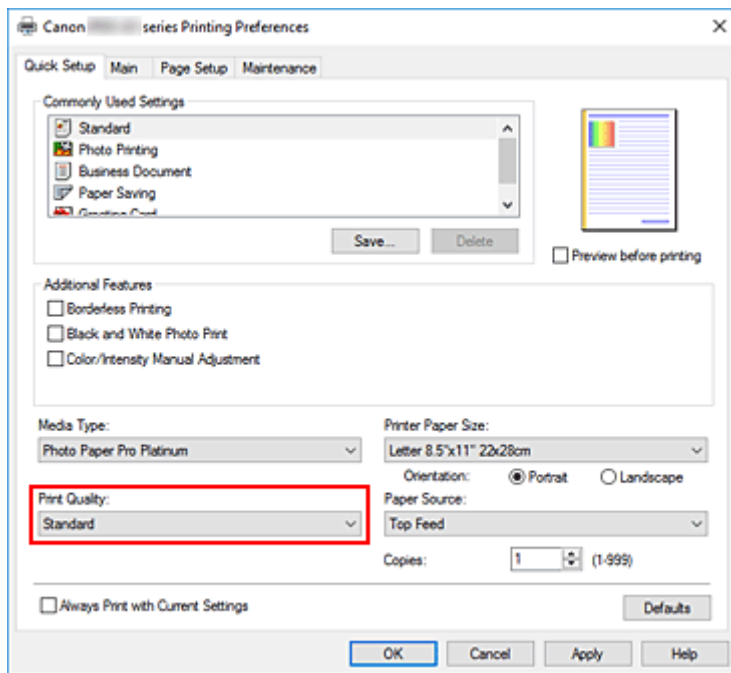
1. [Check that printer is turned on](#)
2. [Load paper](#) in printer
3. Open [printer driver's setup screen](#)
4. Select frequently used settings

On the **Quick Setup** tab, use **Commonly Used Settings** to select from predefined print settings. When you select a print setting, the settings for **Additional Features**, **Media Type**, and **Printer Paper Size** automatically switch to the predefined values.



5. Select print quality

For **Print Quality**, select from **Highest**, **Standard**, or **Fast**.

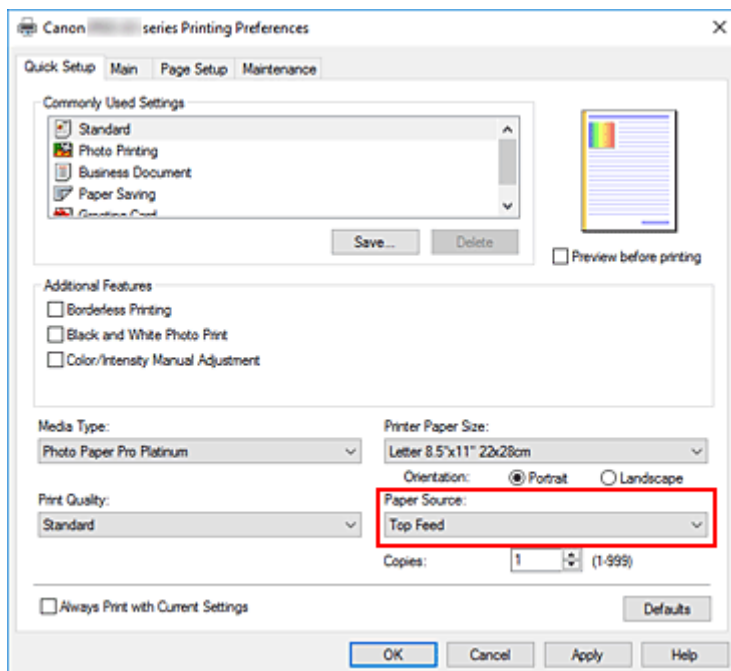


►►► Important

- The print quality selections will differ depending on which print setting you select.

6. Select paper source

Select **Manual Feed** or **Top Feed** that matches your purpose for **Paper Source**.

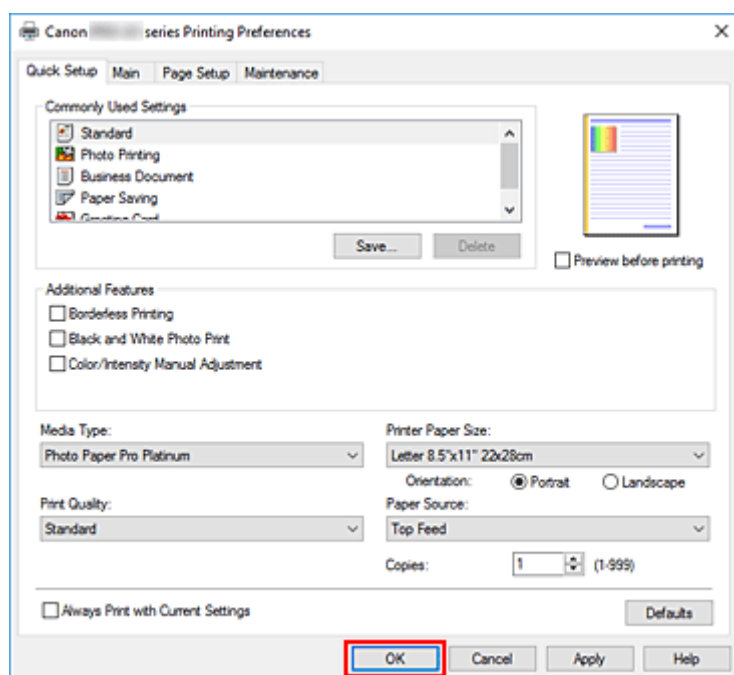


►►► Important

- The paper source settings that can be selected may differ depending on the paper type and size.

7. Click **OK**

The printer will now print using these settings.



►► Important

- If you are performing large-format printing, make sure that the ink tank has plenty of remaining ink.
- When you select the **Always Print with Current Settings** check box, all settings specified on the **Quick Setup**, **Main**, and **Page Setup** tabs are saved, and you can print with the same settings from the next time as well.
- To [register the current settings](#) as a new preset, click **Save...** under **Commonly Used Settings**.
- To print by using the manual feed tray, perform the operation according to the instructions displayed on the screen.

►► Note

- If the paper settings in the printer driver differ from the paper information registered on the printer, an error may occur. For instructions on what to do if an error occurs, see "[Register Paper Information](#)." For details about the paper information to be registered on the printer, see the following:
 - [Paper Settings on the Printer Driver and the Printer \(Media Type\)](#)
 - [Paper Settings on the Printer Driver and the Printer \(Paper Size\)](#)
- When you set **Matte Photo Paper**, **Premium Fine Art Smooth**, **Premium Fine Art Rough** or **Photo Paper Pro Premium Matte A** in the printer driver, we recommend that you set **Printer Paper Size** to **4"x6" 10x15cm**, **L 89x127mm**, or **"XXX (Margin 25)"** in the printer driver. When a page size other than **"XXX (Margin 25)"** is selected, an error message may appear. Select one of the page sizes in the displayed dialog box, or go to the **Page Setup** tab, display the **Print Options** dialog box, and change the [Cancel the safety margin regulation for paper size](#) setting.

Paper Settings on the Printer Driver and the Printer (Media Type)

When you use this printer, selecting a media type and [paper size](#) that matches the print purpose will help you achieve the best print results.

Depending on the media type you are using, specify the media type settings on the printer's operation panel or the printer driver as described below.

Canon genuine papers (Document Printing)

Media name <Model No.>	Media Type in the printer driver	Paper information registered on the printer
Canon Red Label Superior <WOP111>	Plain Paper	Plain paper
Canon Océ Office Colour Paper <SAT213>	Plain Paper	Plain paper

Canon genuine papers (Photo Printing)

Media name <Model No.>	Media Type in the printer driver	Paper information registered on the printer
Photo Paper Plus Glossy II <PP-201/PP-208/PP-301>	Photo Paper Plus Glossy II A	Plus Glossy II A
Photo Paper Pro Platinum <PT-101>	Photo Paper Pro Platinum	Pro Platinum
Photo Paper Pro Luster <LU-101>	Photo Paper Pro Luster	Pro Luster
Photo Paper Plus Semi-gloss <SG-201>	Photo Paper Plus Semi-gloss	Plus Semi-gloss
Matte Photo Paper <MP-101>	Matte Photo Paper	Matte
Premium Fine Art Smooth <FA-SM1>	Premium Fine Art Smooth	Fine Art Smooth
Premium Fine Art Rough <FA-RG1>	Premium Fine Art Rough	Fine Art Rough
Photo Paper Pro Premium Matte <PM-101>	Photo Paper Pro Premium Matte A	ProPremiumMatteA

Commercially available papers

When you use non-genuine Canon paper, you can print easily by using the existing settings that have been prepared on the printer's operation panel and in the printer driver.

Media name	Media Type in the printer driver	Paper information registered on the printer
Plain Paper (including recycled paper)	Plain Paper	Plain paper
Photo Paper (Approximately 0.1mm to less than 0.3mm)	Lightweight Photo Paper *2	Light Photo Paper

Photo Paper (Approximately 0.3mm to less than 0.6mm)	Heavyweight Photo Paper *2	Heavy Photo Paper
Baryta Photo Paper *3	Baryta Photo Paper	Baryta PhotoPaper
Art Paper (Approximately 0.1mm to less than 0.3mm)	Heavyweight Fine Art Paper *2	Heavy Art Paper
Art Paper (Approximately 0.3mm to less than 0.6mm)	Extra Heavyweight Fine Art Paper *2	EX Hvy Art Paper
Art Paper *1	Highest Density Fine Art Paper	High Density Art
Fabric that has the look of canvas	Canvas *2	Canvas
Japanese Paper Washi	Japanese Paper Washi *2	Japanese Paper
Greeting Cards	Inkjet Greeting Card	IJ Greeting Card
Card Stock	Card Stock	Card stock

*1 Use the **Highest Density Fine Art Paper** setting when using a type of Fine Art Paper that is particularly thick and will absorb more ink than others. More ink is used than in regular printing and therefore depending on the type of paper, it can increase the depth of color.

However, depending on the type of paper used, the ink can bleed into the paper, causing the paper to rub and get dirty, or damage the print heads.

*2 To improve the print quality and paper feeding when using paper other than Canon genuine paper, create a custom paper by using Media Configuration Tool and add it to the printer.

These media types can be used as custom paper standards.

*3 If you are using baryta photo paper for inkjet printers, configure settings for **Baryta Photo Paper**.

It improves the consistency of the coloring and gloss, achieving high-quality print results with a sense of depth.

▶▶▶ Note

- If you have added a new media type using the Media Configuration Tool, open the printer driver settings screen and from the **Maintenance** tab, select **Update Media Information** and carry out a driver media information update.
When printing on a newly added media type, change both the media settings on the printer driver and the registered media information on the printer to those of the new media.
- When you set **Media Type** to **Matte Photo Paper**, **Premium Fine Art Smooth**, **Premium Fine Art Rough**, or **Photo Paper Pro Premium Matte A** in the printer driver, we recommend that you set **Page Size** to **4"x6" 10x15cm**, **L 89x127mm**, or "XXX (Margin 25)" in the printer driver.
For information about printable ranges, refer to "[Print Area](#)."

Paper Settings on the Printer Driver and the Printer (Paper Size)

When you use this printer, selecting a paper size that matches the print purpose will help you achieve the best print results.

You can use the following paper sizes on this printer.

Printer Paper Size in the printer driver	Paper information registered on the printer
Letter 8.5"x11" 22x28cm	Letter
Legal 8.5"x14" 22x36cm	Legal
11"x17" 279.4x431.8mm	11"x17"(28x43cm)
A5	A5
A4	A4
A3	A3
A3+ 13"x19" 33x48cm	A3+
B5	B5
B4	B4
4"x6" 10x15cm	KG/4"x6"(10x15)
5"x7" 13x18cm	2L/5"x7"(13x18)
7"x10" 18x25cm	7"x10"(18x25cm)
8"x10" 20x25cm	8"x10"(20x25cm)
10"x12" 25x30cm	10"x12"(25x30cm)
210x594mm	210x594mm
L 89x127mm	L(89x127mm)
2L 127x178mm	2L/5"x7"(13x18)
Square 5"x5" 13x13cm	Square 5"
Square 12"x12" 30x30cm	12"x12"(30x30cm)
Letter (Margin 25)	Letter
11"x17" (Margin 25)	11"x17"(28x43cm)
A4 (Margin 25)	A4
A3 (Margin 25)	A3

A3+ (Margin 25)	A3+
210x594mm (Margin 25)	210x594mm
Hagaki 100x148mm	Hagaki
Hagaki 2 200x148mm	Hagaki 2
Custom Size	Others

Various Printing Methods

- **Setting a Page Size and Orientation**
- **Setting the Number of Copies and Printing Order**
- **Perform Borderless Printing**
- **Scaled Printing**
- **Page Layout Printing**
- **Tiling/Poster Printing**
- **Duplex Printing**
- **Printing on Postcards**
- **Changing the Clear Coating Settings**
- **Setting Paper Dimensions (Custom Size)**
- **Setting the Stapling Margin**
- **Fit-to-Page Printing**
- **Booklet Printing**
- **Stamp/Background Printing**
 - Registering a Stamp
 - Registering Image Data to be Used as a Background
- **Switching the Paper Source to Match the Purpose**
- **Displaying the Print Results before Printing**

Setting a Page Size and Orientation

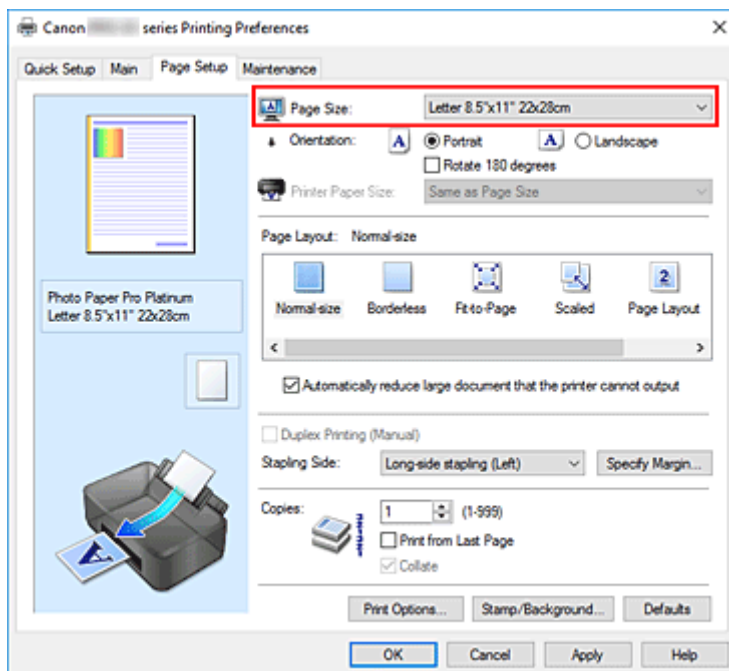
The paper size and orientation are essentially determined by the application software. When the page size and orientation set for **Page Size** and **Orientation** on the **Page Setup** tab are same as those set with the application software, you do not need to select them on the **Page Setup** tab.

When you are not able to specify them with the application software, the procedure for selecting a page size and orientation is as follows:

You can also set page size and orientation on the **Quick Setup** tab.

1. Open the [printer driver setup window](#)
2. Select the paper size

Select a page size from the **Page Size** list on the **Page Setup** tab.



3. Set Orientation

Select **Portrait** or **Landscape** for **Orientation**. Check **Rotate 180 degrees** check box when you want to perform printing with the original being rotated 180 degrees.

4. Click OK

When you perform print, the document will be printed with the selected page size and the orientation.

►►► Note

- If **Normal-size** is selected for **Page Layout**, then **Automatically reduce large document that the printer cannot output** is displayed.

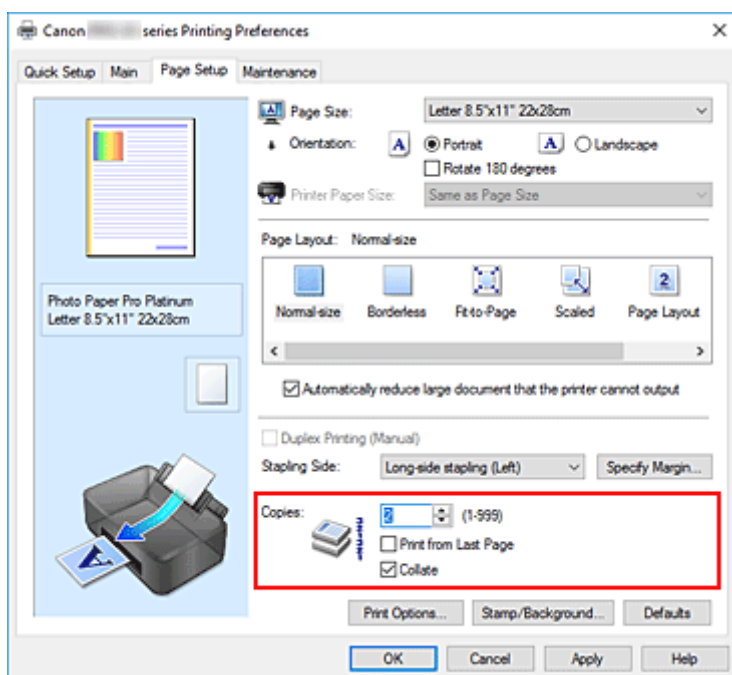
Normally, you can leave the check box checked. During printing, if you do not want to reduce large documents that cannot be printed on the printer, uncheck the check box.

Setting the Number of Copies and Printing Order

You can also set the number of copies on the **Quick Setup** tab.

1. Open the [printer driver setup window](#)
2. Specify the number of copies to be printed

For **Copies** on the **Page Setup** tab, specify the number of copies to be printed.

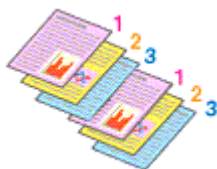


3. Specify the print order

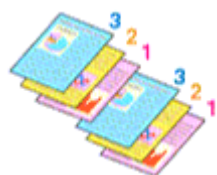
Check the **Print from Last Page** check box when you want to print from the last page in order, and uncheck the check box when you want to print from the first page.

Check the **Collate** check box when you are printing multiple copies of a document and want to print out all pages in each copy together. Uncheck this check box when you want to print all pages with the same page number together.

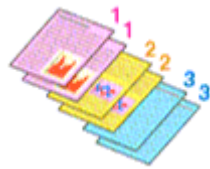
- **Print from Last Page:** / **Collate:**



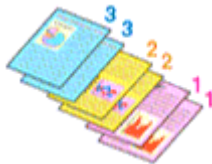
- **Print from Last Page:** / **Collate:**



- **Print from Last Page:** / **Collate:**



- **Print from Last Page:** / **Collate:**



4. Click **OK**

When you perform print, the specified number of copies will be printed with the specified printing order.

»» Important

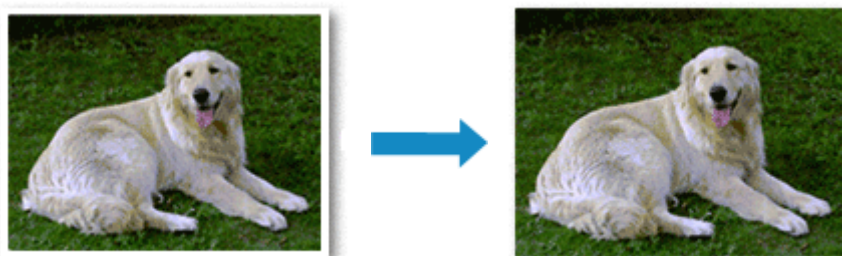
- When the application software that you used to create the document has the same function, specify the settings on the printer driver. However, if the print results are not acceptable, specify the function settings on the application software. When you specify the number of copies and the printing order with both the application software and this printer driver, the number of copies may be multiplied numbers of the two settings or the specified printing order may not be enabled.
- **Print from Last Page** appears grayed out and is unavailable when **Tiling/Poster** is selected for **Page Layout**.
- When **Booklet** is selected for **Page Layout**, **Print from Last Page** and **Collate** appear grayed out and cannot be set.
- When **Duplex Printing (Manual)** is selected, **Print from Last Page** appears grayed out and cannot be set.

»» Note

- By setting both **Print from Last Page** and **Collate**, you can perform printing so that papers are collated one by one starting from the last page.
These settings can be used in combination with **Normal-size**, **Borderless**, **Fit-to-Page**, **Scaled**, and **Page Layout**.

Perform Borderless Printing

The borderless printing function allows you to print data without any margin by enlarging the data so that it extends slightly off the paper. In standard printing, margins are created around the document area. However, in borderless printing function, these margins are not created. When you want to print data such as a photo without providing any margin around it, set borderless printing.



You can also set borderless printing in **Additional Features** on the **Quick Setup** tab.

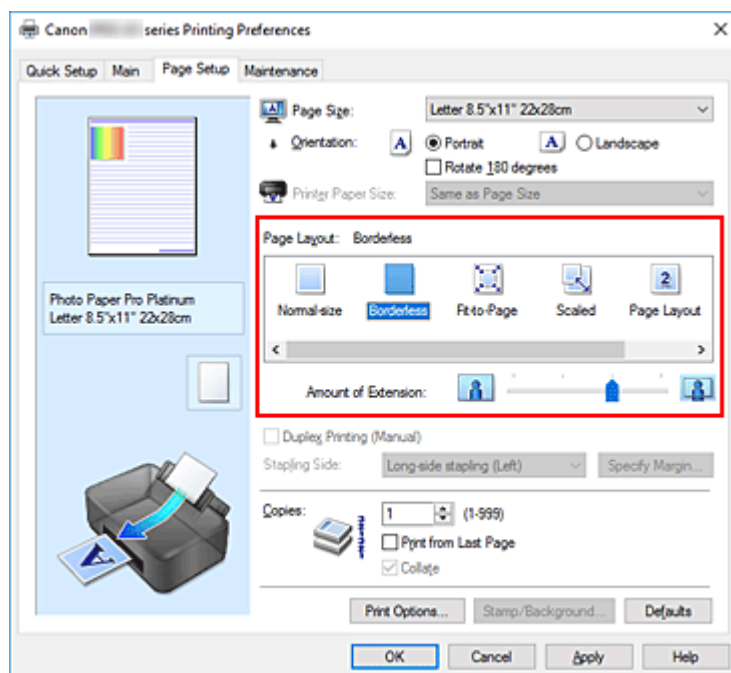
▶▶▶ Note

- You can also set **Magnification level for borderless** on the operation panel of the printer, but the settings on the printer driver will be prioritized.

Setting Borderless Printing

1. Open the [printer driver setup window](#)
2. Set borderless printing

Select **Borderless** from the **Page Layout** list on the **Page Setup** tab.



Click **OK** when the confirmation message appears.

When a message prompting you to change the media type appears, select a media type from the list and click **OK**.

3. Check the paper size

Check the **Page Size** list. When you want to change it, select another page size from the list. The list displays only sizes that can be used for borderless printing.

4. Adjust the amount of extension from the paper

If necessary, adjust the amount of extension using the **Amount of Extension** slider.

Moving the slider to the right increases the amount extending off the paper, and moving the slider to the left decreases the amount.

It is recommended to set the slider at the second position from the right for most cases.



»» Important

- When the **Amount of Extension** slider is set to the rightmost position, the back side of the paper may become smudged.

5. Click **OK**

When you perform print, the data is printed without any margins on the paper.

»» Important

- When a page size that cannot be used for borderless printing is selected, the size is automatically changed to the valid page sizes for borderless printing.
- When **Borderless** is selected, the **Printer Paper Size**, **Duplex Printing (Manual)**, **Stapling Side** settings, and the **Stamp/Background...** button on the **Page Setup** tab appear grayed out and are unavailable.
- When **Plain Paper** or **Hagaki A** is selected from the **Media Type** list on the **Main** tab, you cannot perform borderless printing.
- Depending on the type of paper, Borderless Printing may reduce the print quality at the top and bottom edges of the paper.
Borderless Printing on thick paper may also smudge the front or back surface of the paper.
- When the ratio of the height to the width differs from the image data, a portion of the image may not be printed depending on the size of the media used.
In this case, crop the image data with an application software according to the paper size.

Expanding the Range of the Document to Print

Setting a large amount of extension allows you to perform borderless printing with no problems. However, the portion of the document extending off the paper range will not be printed and for this reason, the subjects around the perimeter of a photo may not be printed.

When you are not satisfied with the result of borderless printing, reduce the amount of extension. The extension amount decreases as the **Amount of Extension** slider is moved to the left.

▶▶ Important

- When the amount of extension is decreased, an unexpected margin may be produced on the print, depending on the size of the paper.

▶▶ Note

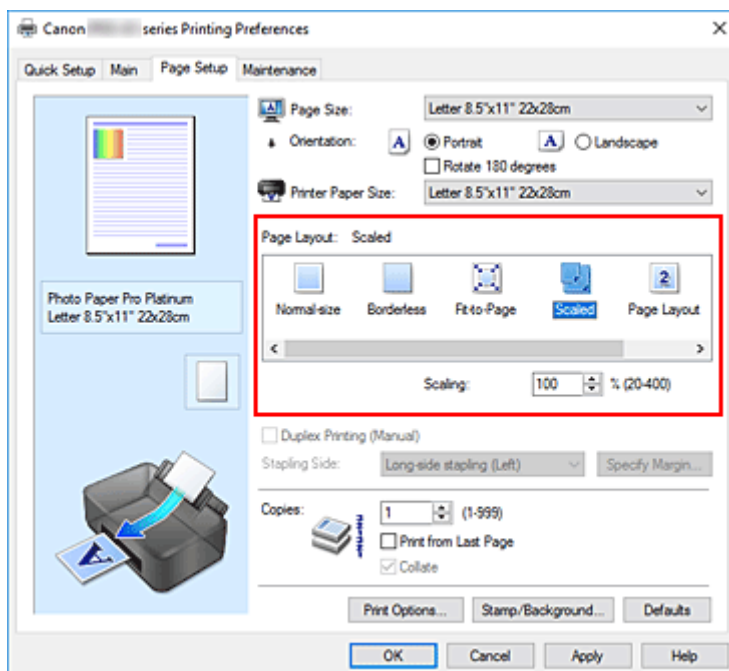
- When the **Amount of Extension** slider is set to the leftmost position, image data will be printed in the full size.
- When **Preview before printing** is checked on the **Main** tab, you can confirm whether there will be no margin before printing.
- To perform borderless full-page printing on **Matte Photo Paper**, **Premium Fine Art Smooth**, **Premium Fine Art Rough** or **Photo Paper Pro Premium Matte A**, go to the **Page Setup** tab, display the **Print Options** dialog box, and change the [Cancel the safety margin regulation for paper size](#) setting.

Scaled Printing



1. Open the [printer driver setup window](#)
2. Set scaled printing

Select **Scaled** from the **Page Layout** list on the **Page Setup** tab.



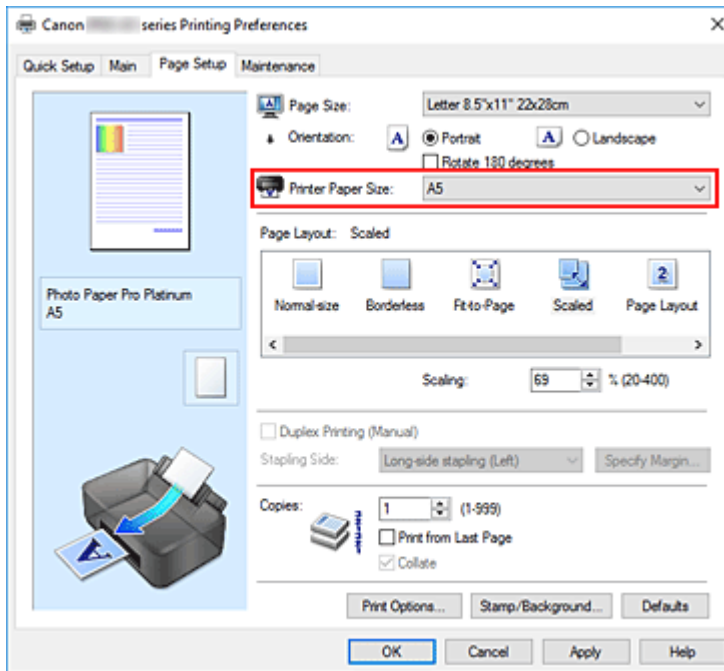
3. Select the paper size of the document

Using **Page Size**, select the page size that is set with your application software.

4. Set the scaling rate by using one of the following methods:

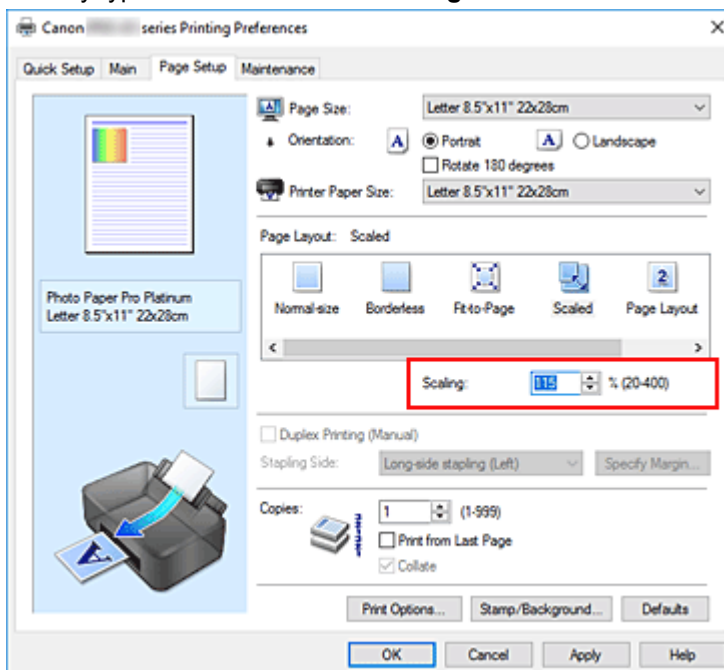
- Select a **Printer Paper Size**

When the printer paper size is smaller than the **Page Size**, the page image will be reduced. When the printer paper size is larger than the **Page Size**, the page image will be enlarged.



- Specify a scaling factor

Directly type in a value into the **Scaling** box.



The current settings are displayed in the settings preview on the left side of the printer driver.

5. Click **OK**

When you perform print, the document will be printed with the specified scale.

▶▶▶ Important

- When the application software which you used to create the original has the scaled printing function, configure the settings on your application software. You do not need to configure the same setting in the printer driver.

»» Note

- Selecting **Scaled** changes the printable area of the document.

Page Layout Printing

The page layout printing function allows you to print more than one page image on a single sheet of paper.

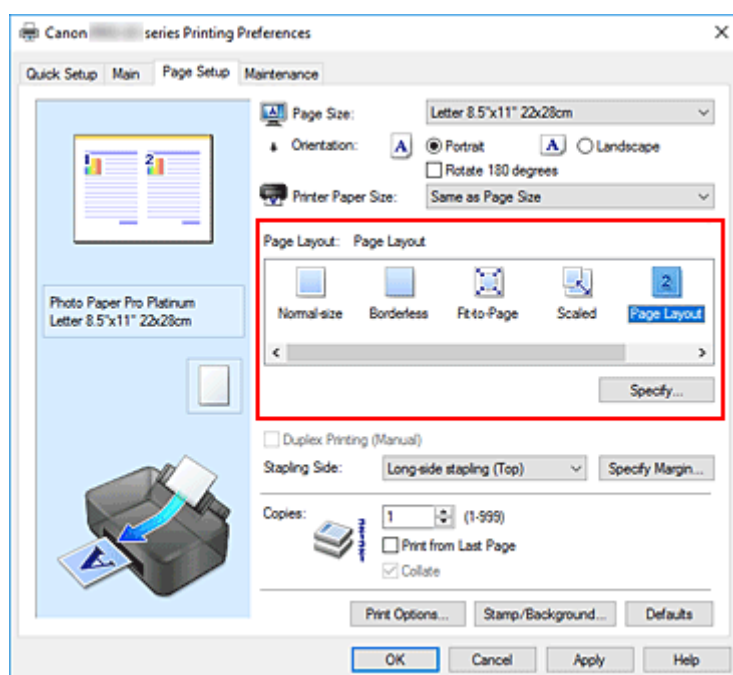


1. Open the [printer driver setup window](#)

2. Set page layout printing

Select **Page Layout** from the **Page Layout** list on the **Page Setup** tab.

The current settings are displayed in the settings preview on the left side of the printer driver.

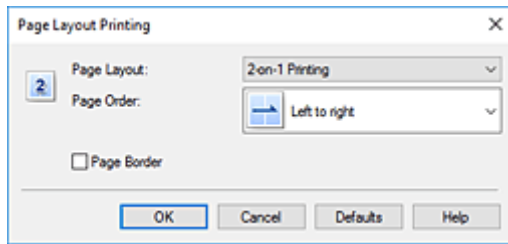


3. Select the print paper size

Select the size of the paper loaded in the printer from the **Printer Paper Size** list.

4. Set the number of pages to be printed on one sheet and the page order

If necessary, click **Specify...**, specify the following settings in the **Page Layout Printing** dialog box, and click **OK**.



Page Layout

To change the number of pages to be printed on a single sheet of paper, select the number of pages from the list.

Page Order

To change the page arrangement order, select a placement method from the list.

Page Border

To print a page border around each document page, check this check box.

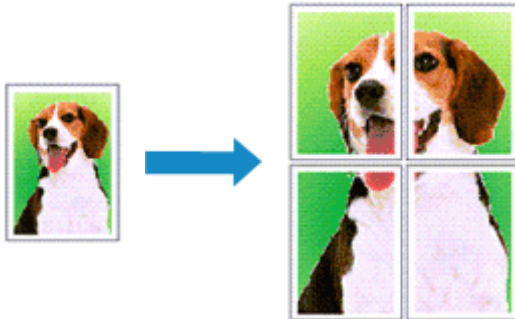
5. Complete the setup

Click **OK** on the **Page Setup** tab.

When you perform print, the specified number of pages will be arranged on each sheet of paper in the specified order.

Tiling/Poster Printing

The tiling/poster printing function allows you to enlarge image data, divide it into several pages, and print these pages on separate sheets of paper. You can also paste the pages together to create a large print like a poster.

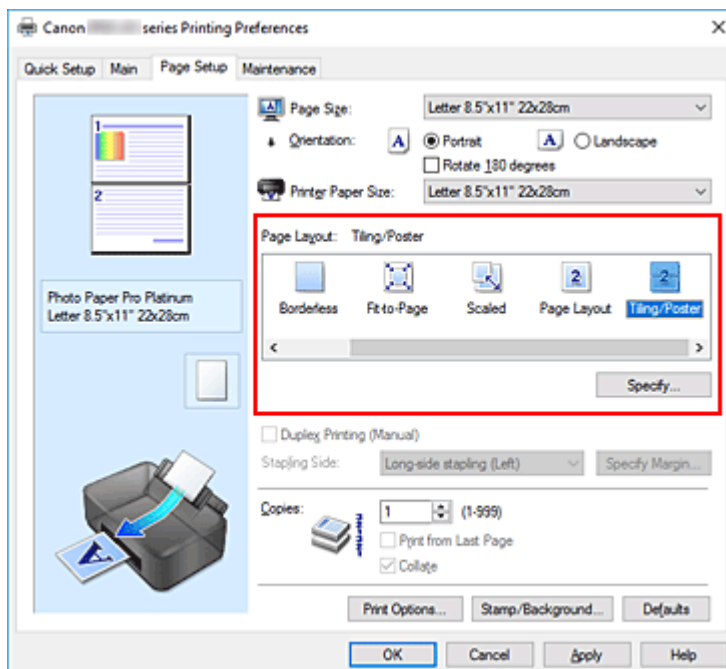


Setting Tiling/Poster Printing

1. Open the [printer driver setup window](#)
2. Set tiling/poster printing

Select **Tiling/Poster** from the **Page Layout** list on the **Page Setup** tab.

The current settings are displayed in the settings preview on the left side of the printer driver.



3. Select the print paper size

Select the size of the paper loaded in the printer from the **Printer Paper Size** list.

4. Set the number of image divisions and the pages to be printed

If necessary, click **Specify...**, specify the following settings in the **Tiling/Poster Printing** dialog box, and then click **OK**.

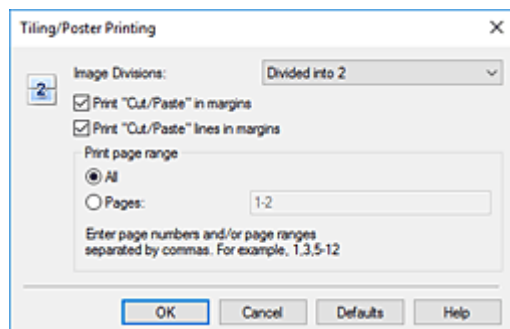


Image Divisions

Select the number of divisions (vertical x horizontal).

As the number of divisions increases, the number of sheets used for printing increases. If you are pasting pages together to create a poster, increasing the number of divisions allows you to create a larger poster.

Print "Cut/Paste" in margins

To leave out words "Cut" and "Paste", uncheck this check box.

►►► Note

- Depending on the environment of the printer driver you are using, this function may not be available.

Print "Cut/Paste" lines in margins

To leave out cut lines, uncheck this check box.

Print page range

Specifies the printing range. Select **All** under normal circumstances.

To reprint only a specific page, select **Pages** and enter the page number you want to print. To specify multiple pages, enter the page numbers by separating them with commas or by entering a hyphen between the page numbers.

►►► Note

- You can also specify the print range by clicking the pages in the settings preview.

5. Complete the setup

Click **OK** on the **Page Setup** tab.

When you perform print, the document will be divided into several pages during printing.

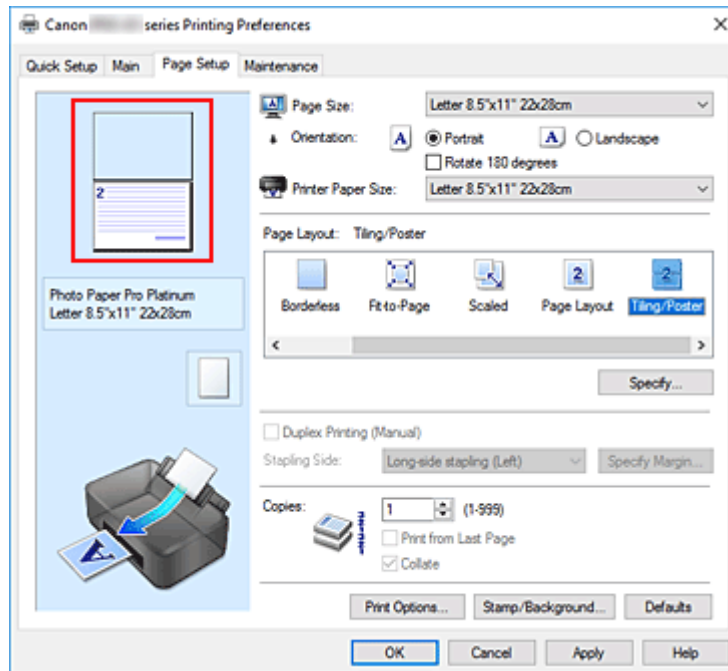
Printing Only Specific Pages

If ink becomes faint or runs out during printing, you can reprint only the specific pages by following the procedure below:

1. Set the print range

In the settings preview on the left of the **Page Setup** tab, click the pages that do not need to be printed.

The pages that were clicked are deleted, and only the pages to be printed are displayed.



▶▶▶ Note

- Click the deleted pages to display them again.
- Right-click the settings preview to select **Print all pages** or **Delete all pages**.

2. Complete the setup

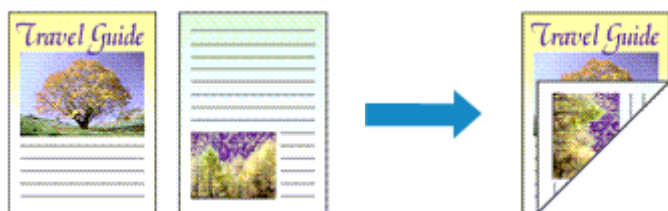
After completing the page selection, click **OK**.

When you perform print, only specified pages will be printed.

▶▶▶ Important

- Since tiling/poster printing enlarges the document when printing it, the print results may become coarse.

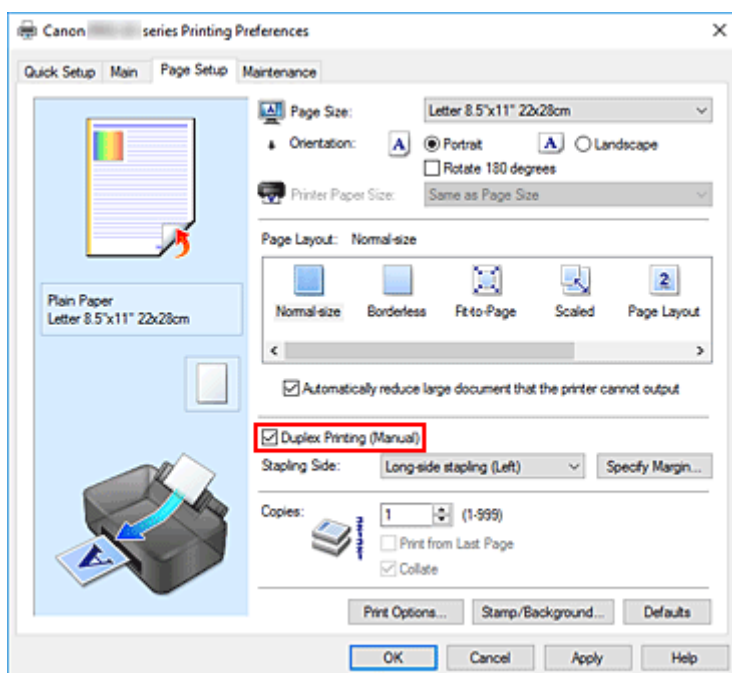
Duplex Printing



When **Business Document** or **Paper Saving** is selected for **Commonly Used Settings** on the **Quick Setup** tab, duplex printing can also be set by using **Additional Features**.

1. Open the [printer driver setup window](#)
2. Set duplex printing

Check the **Duplex Printing (Manual)** check box on the **Page Setup** tab.



3. Select the layout

Select **Normal-size**, **Fit-to-Page**, **Scaled**, or **Page Layout** from the **Page Layout** list.

4. Specify the side to be stapled

The best **Stapling Side** is selected automatically from the **Orientation** and **Page Layout** settings. To change the setting, select another stapling side from the list.

5. Set the margin width

If necessary, click **Specify Margin...** and set the margin width, and then click **OK**.

6. Complete the setup

Click **OK** on the **Page Setup** tab.

When you perform print, the document is first printed on one side of a sheet of paper. After one side is printed, reload the paper correctly according to the message.

Then click **Start Printing** to print the opposite side.

Important

- When a media type other than **Plain Paper** is selected from **Media Type** on the **Main** tab, **Duplex Printing (Manual)** appears grayed out and is unavailable.
- When **Borderless**, **Tiling/Poster** or **Booklet** is selected from the **Page Layout** list, **Duplex Printing (Manual)** and **Stapling Side** appear grayed out and are unavailable.

Related Topic

- ➔ [Changing the Printer Operation Mode](#)

Printing on Postcards

1. [Load postcard](#) on the printer

2. Open the [printer driver setup window](#)

3. Select commonly used settings

Display the **Quick Setup** tab, and for **Commonly Used Settings**, select **Standard**.

4. Select the media type

For **Media Type**, select **Hagaki A**, **Ink Jet Hagaki**, or **Hagaki**.

▶▶▶ Important

- This printer cannot print on postcards that have photos or stickers attached.
- You will get cleaner printing if you print the message side first and then print the address side.
- The paper settings on the printer driver are different, depending on whether you are printing on the address side or the message side.

For details about the paper information to be registered to the printer driver and on the printer, see the following:

- [Paper Settings on the Printer Driver and the Printer \(Media Type\)](#)
- [Paper Settings on the Printer Driver and the Printer \(Paper Size\)](#)

5. Select the paper size

For **Printer Paper Size**, select **Hagaki 100x148mm** or **Hagaki 2 200x148mm**.

▶▶▶ Important

- Return postcards can be used only when you print them from the computer.
- When printing a return postcard, always set the paper size to **Hagaki 2 200x148mm** from your application software or the printer driver.
- Do not fold the return postcard. If a crease is formed, the printer will not be able to feed the postcard properly, and this condition will cause line shifts or a paper jam.
- With return postcards, borderless printing cannot be used.

6. Set the print orientation

To print the address horizontally, set **Orientation** to **Landscape**.

7. Select the print quality

For **Print Quality**, select **Highest** or **Standard**, according to your purpose.

8. Click **OK**

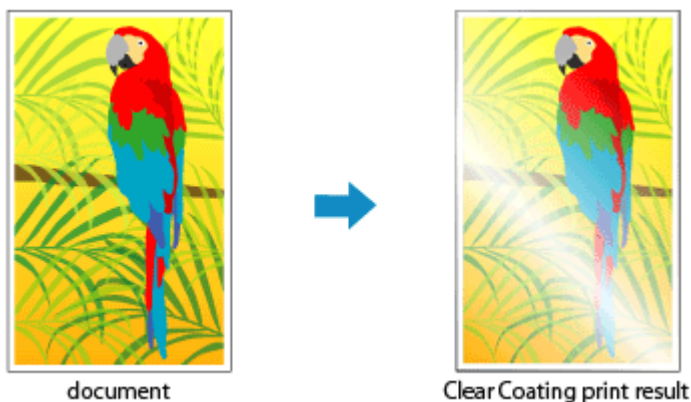
When you perform printing, the data will be printed onto the postcard.

Important

- If you want to display a guide message when performing postcard printing, open the **Maintenance** tab and click **View Printer Status** to start the Canon IJ Status Monitor.
On the **Option** menu, choose **Display Guide Message** and click **Hagaki Printing** to enable the setting.
To hide these guide messages, select the **Do not show this message again** check box.
- When printing on media other than postcards, load the media according to usage method of that media, and click **Start Printing**.

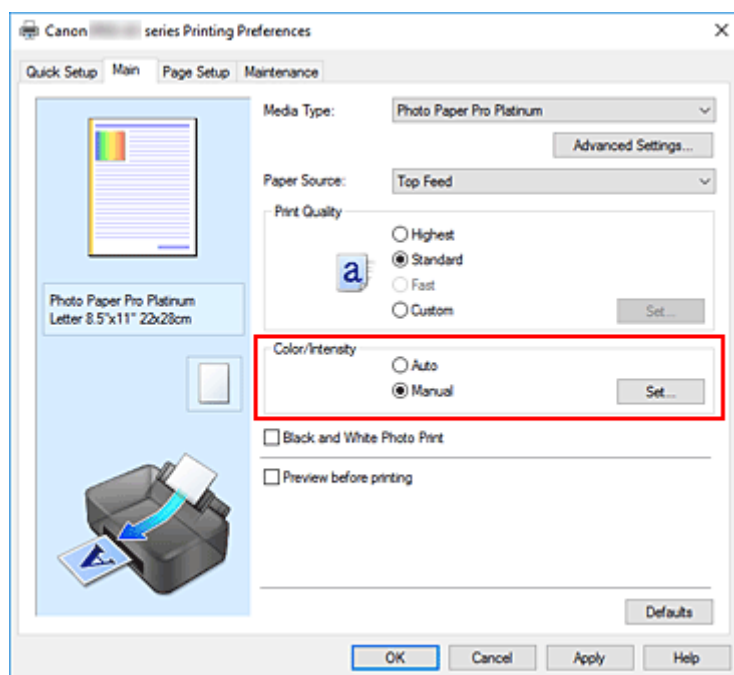
Changing the Clear Coating Settings

When you perform clear coating, the printer applies chroma optimizer (CO) ink onto the printing surface and allows you to adjust the glossiness.



1. Open the [printer driver setup window](#)
2. Select the manual color adjustment

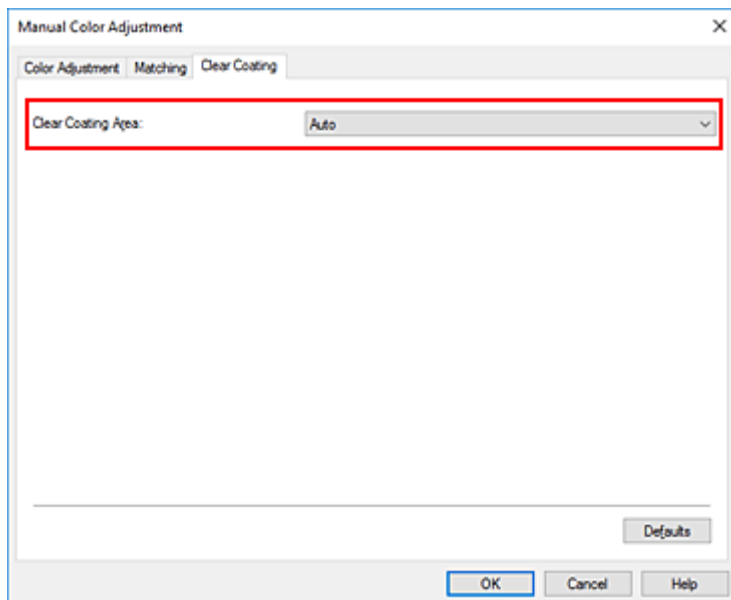
On the **Main** tab, select **Manual** for **Color/Intensity**, and click **Set...**



The **Manual Color Adjustment** dialog box opens.

3. Setting the clear coating area

Click the **Clear Coating** tab, select the **Clear Coating Area** item that matches your purpose (see below for the selections), and then click **OK**.



Auto

The printer automatically sets the areas to be clear-coated and whether clear coating is to be performed.

It may be possible to reduce the ink consumption of the chroma optimizer (CO) or to accelerate the print speed.

Overall

The printer clear-coats the entire print area.

If selecting **Auto** produced unsatisfactory clear coating effects, selecting **Overall** may improve the results.

»»» Important

- On the **Quick Setup** or **Main** tab, look at **Media Type**. If a media type other than **Photo Paper Plus Glossy II A**, **Photo Paper Pro Platinum**, **Photo Paper Pro Luster**, **Photo Paper Plus Semi-gloss**, **Photo Paper Pro Crystal Grade**, **Lightweight Photo Paper**, **Heavyweight Photo Paper**, or **Baryta Photo Paper** is selected, you cannot select **Overall**.
- If **Overall** is selected and the media type is changed to one that cannot use **Overall**, the clear coating area setting is changed to **Auto**.

4. Click **OK**

When printing is performed, the clear coating effect that was set is added when the document is printed.

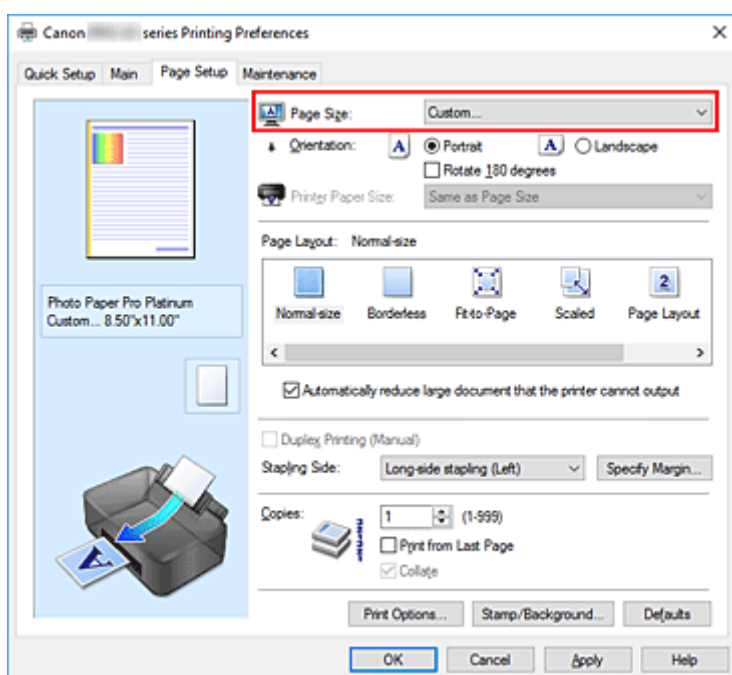
Setting Paper Dimensions (Custom Size)

You can specify the height and width of paper when its size cannot be selected from the **Page Size**. Such a paper size is called "custom size."

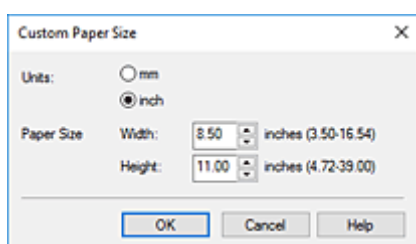
You can also set a custom size in **Printer Paper Size** on the **Quick Setup** tab.

1. Open the [printer driver setup window](#)
2. Select the paper size

Select **Custom...** for **Page Size** on the **Page Setup** tab.



The **Custom Paper Size** dialog box opens.



3. Set the custom paper size

Specify **Units**, and enter the **Width** and **Height** of the paper to be used. Then click **OK**.

4. Complete the setup

Click **OK** on the **Page Setup** tab.

When you perform print, the data is printed with the specified paper size.

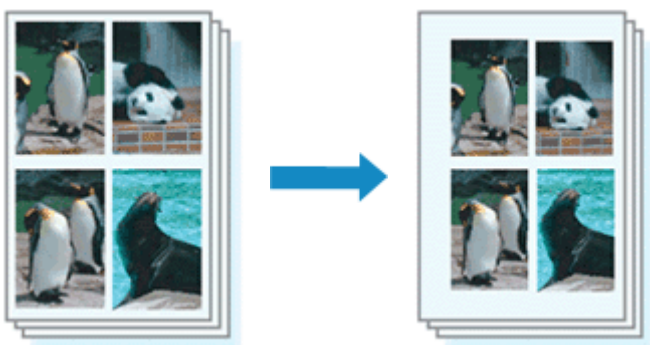
»» Important

- If the application software that created the document has a function for specifying height and width values, use the application software to set the values. If the application software does not have such a function or if the document does not print correctly, perform the above procedure from the printer driver to set the values.

»» Note

- Printing may be disabled depending on the size of the specified user-defined media. For information about printable sizes for user-defined media, see "[Supported Media Types](#)."
- If the paper settings in the printer driver differ from the paper information registered on the printer, an error may occur. For instructions on what to do if an error occurs, see "[Register Paper Information](#)." For details about the paper information to be registered on the printer, see the following:
 - [Paper Settings on the Printer Driver and the Printer \(Media Type\)](#)
 - [Paper Settings on the Printer Driver and the Printer \(Paper Size\)](#)

Setting the Stapling Margin



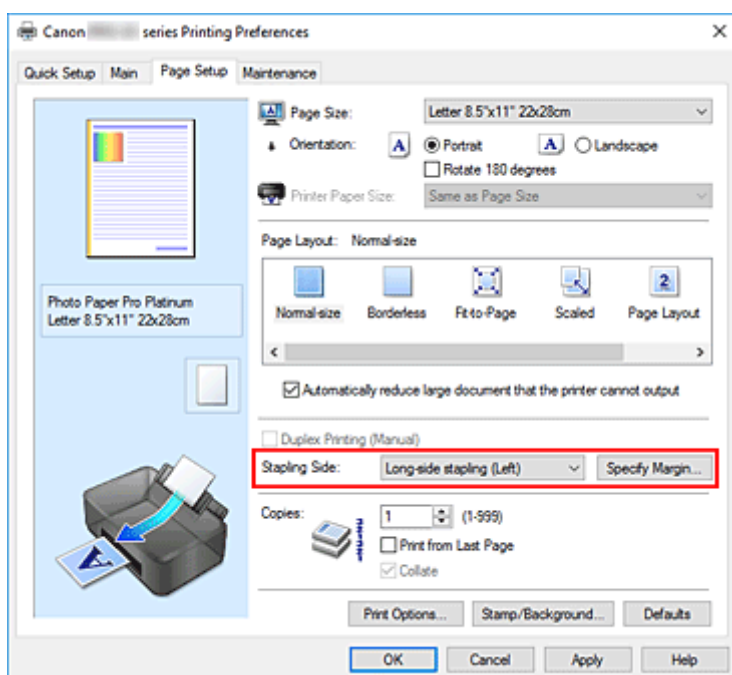
The procedure for setting the staple side and the margin width is as follows:

1. Open the [printer driver setup window](#)

2. Specify the side to be stapled

Check the position of the stapling margin from **Stapling Side** on the **Page Setup** tab.

The printer analyzes the **Orientation** and **Page Layout** settings, and automatically selects the best staple position. When you want to change the setting, select from the list.



3. Set the margin width

If necessary, click **Specify Margin...** and set the margin width, and then click **OK**.

▶▶▶ Note

- The printer automatically reduces the print area depending on the staple position margin.

4. Complete the setup

Click **OK** on the **Page Setup** tab.

When you perform print, the data is printed with the specified staple side and margin width.

Important

- **Stapling Side** and **Specify Margin...** appear grayed out and are unavailable when:
 - **Borderless, Tiling/Poster,** or **Booklet** is selected for **Page Layout**
 - **Scaled** is selected for **Page Layout** (When **Duplex Printing (Manual)** is also selected, only **Stapling Side** can be specified.)

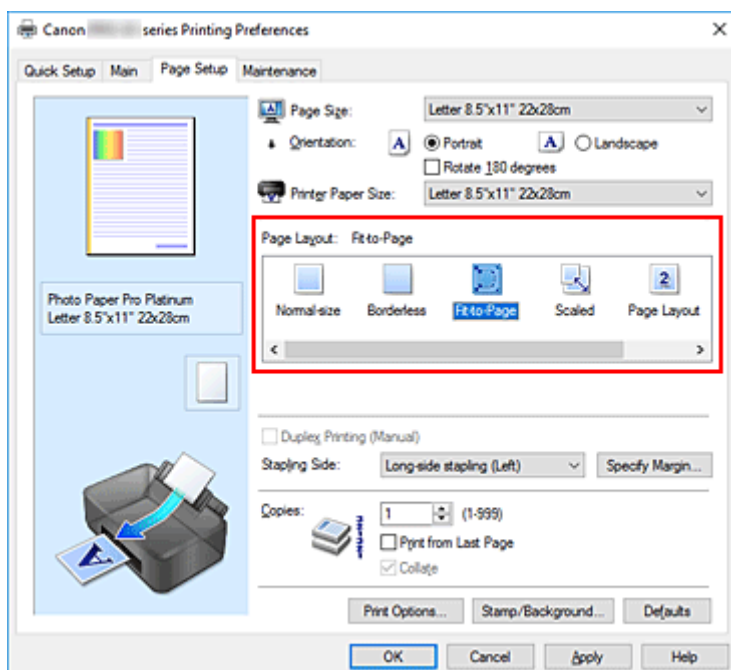
Fit-to-Page Printing



The procedure for printing a document that is automatically enlarged or reduced to fit the page size to be used is as follows:

1. Open the [printer driver setup window](#)
2. Set fit-to-page printing

Select **Fit-to-Page** from the **Page Layout** list on the **Page Setup** tab.



3. Select the paper size of the document

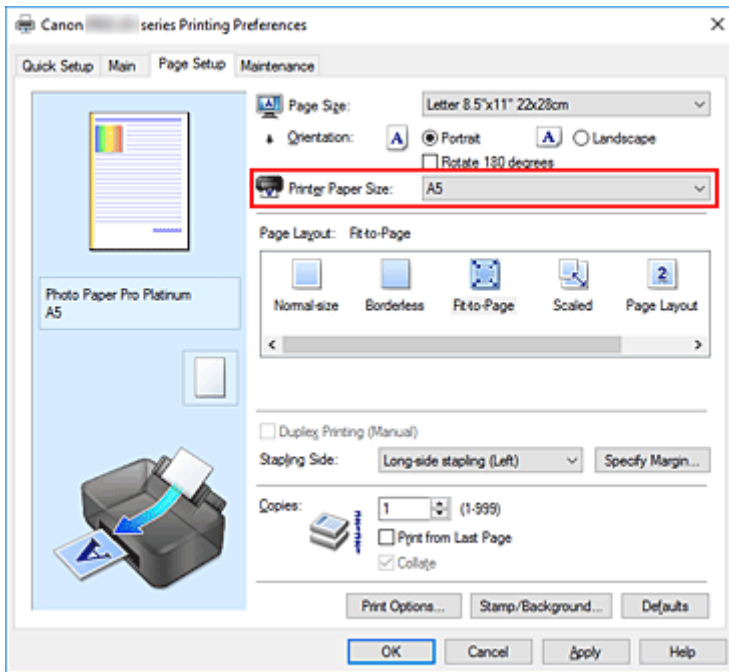
Using **Page Size**, select the page size that is set with your application software.

4. Select the print paper size

Select the size of the paper loaded in the printer from the **Printer Paper Size** list.

When the **Printer Paper Size** is smaller than the **Page Size**, the page image will be reduced. When the **Printer Paper Size** is larger than the **Page Size**, the page image will be enlarged.

The current settings are displayed in the settings preview on the left side of the printer driver.

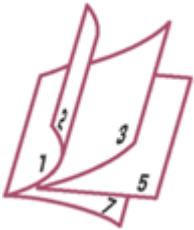


5. Click **OK**

When you perform print, the document will be enlarged or reduced to fit to the page size.

Booklet Printing

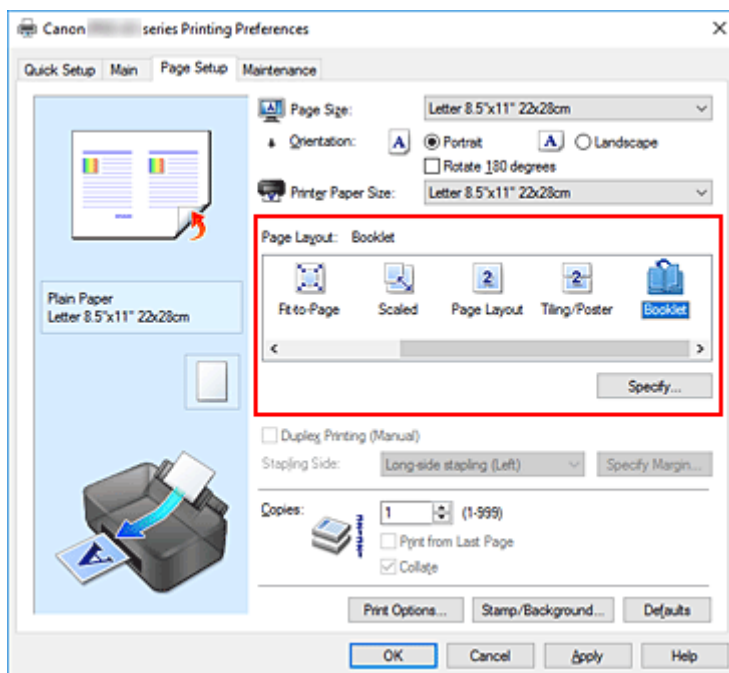
The booklet printing function allows you to print data for a booklet. Data is printed on both sides of the paper. This type of printing ensures that pages can be collated properly, in page number order, when the printed sheets are folded and stapled at the center.



1. Open the [printer driver setup window](#)
2. Set booklet printing

Select **Booklet** from the **Page Layout** list on the **Page Setup** tab.

The current settings are displayed in the settings preview on the left side of the window.



3. Select the print paper size

Select the size of the paper loaded in the printer from the **Printer Paper Size** list.

4. Set the margin for stapling and the margin width

Click **Specify...** and specify the following settings in the **Booklet Printing** dialog box, and then click **OK**.

Margin for stapling

Select which side should the stapling margin be on when the booklet is completed.

Insert blank page

To leave one side of a sheet blank, check the check box, and select the page to be left blank.

Margin

Enter the margin width. The specified width from the center of the sheet becomes the margin width for one page.

Page Border

To print a page border around each document page, check the check box.

5. Complete the setup

Click **OK** on the **Page Setup** tab.

When you perform print, the document will be printed on one side of a sheet of paper. When the printing of one side is complete, set the paper correctly by following the message and click **OK**.

When the printing of the other side is complete, fold the paper at the center of the margin and make a booklet.

▶▶ Important

- **Booklet** cannot be selected when a media type other than **Plain Paper** is selected for **Media Type** on the **Main** tab.

▶▶ Note

- The stamp and background are not printed on the inserted blank sheets with the **Insert blank page** function of booklet printing.

Stamp/Background Printing

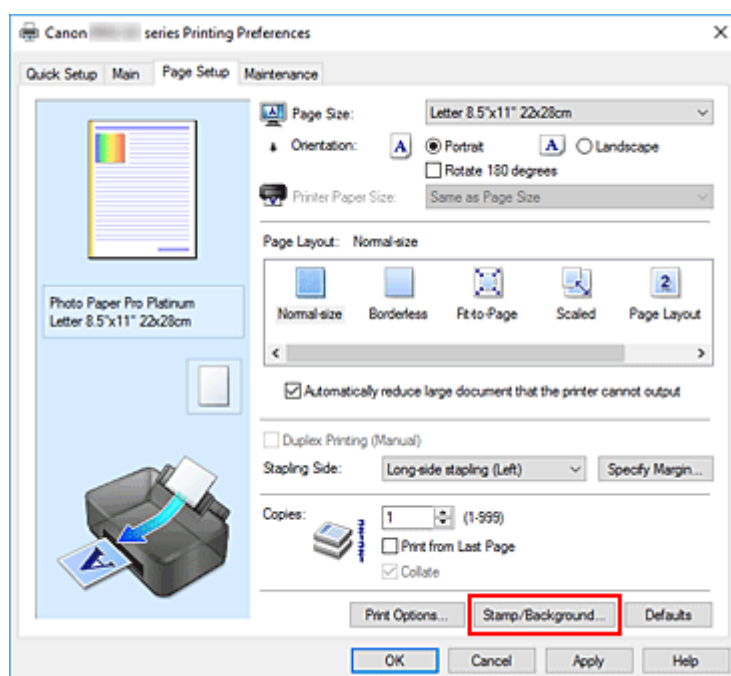
Stamp or **Background** may be unavailable when certain operating environments are used.

The **Stamp** function allows you to print a stamp text or a bitmap over or behind document data. It also allows you to print date, time and user name. The **Background** function allows you to print a light illustration behind the document data.

Printing a Stamp

"CONFIDENTIAL," "IMPORTANT," and other stamps that are used often in companies are pre-registered.

1. Open the [printer driver setup window](#)
2. Click **Stamp/Background...** on the **Page Setup** tab



The **Stamp/Background** dialog box opens.

3. Select a stamp

Check the **Stamp** check box, and select the stamp to be used from the list.

The current settings are displayed in the settings preview on the left side of the **Page Setup** tab.

4. Set the stamp details

If necessary, specify the following settings, and then click **OK**.

Define Stamp... button

To [change the stamp text, bitmap, or position](#), click this.

Place stamp over text

To print the stamp on the front of the document, check this check box.

»» Note

- The stamp is given priority because the stamp is printed over the document data in the sections where the stamp and the document data overlap. When this check box is unchecked, the stamp is printed behind the document data and may be hidden in the overlapping sections depending on the application software used.

Stamp first page only

To print the stamp only on the first page, check this check box.

5. Complete the setup

Click **OK** on the **Page Setup** tab.

When you perform print, the data is printed with the specified stamp.

Printing a Background

Two bitmap files are pre-registered as samples.

1. Open the [printer driver setup window](#)

2. Click **Stamp/Background...** on the **Page Setup** tab

The **Stamp/Background** dialog box opens.

3. Select the background

Check the **Background** check box, and select the background to be used from the list.

The current settings are displayed in the settings preview on the left side of the **Page Setup** tab.

4. Set the background details

If necessary, complete the following settings, and then click **OK**.

Select Background... button

To [use another background or change the layout or density of a background](#), click this.

Background first page only

To print the background only on the first page, check this check box.

5. Complete the setup

Click **OK** on the **Page Setup** tab.

When you perform print, the data is printed with the specified background.

»» Important

- When **Borderless** is selected, the **Stamp/Background...** button appears grayed out and is unavailable.

»» Note

- The stamp and background are not printed on blank sheets inserted with the **Insert blank page** function of booklet printing.

Related Topics

- ➔ [Registering a Stamp](#)
- ➔ [Registering Image Data to be Used as a Background](#)

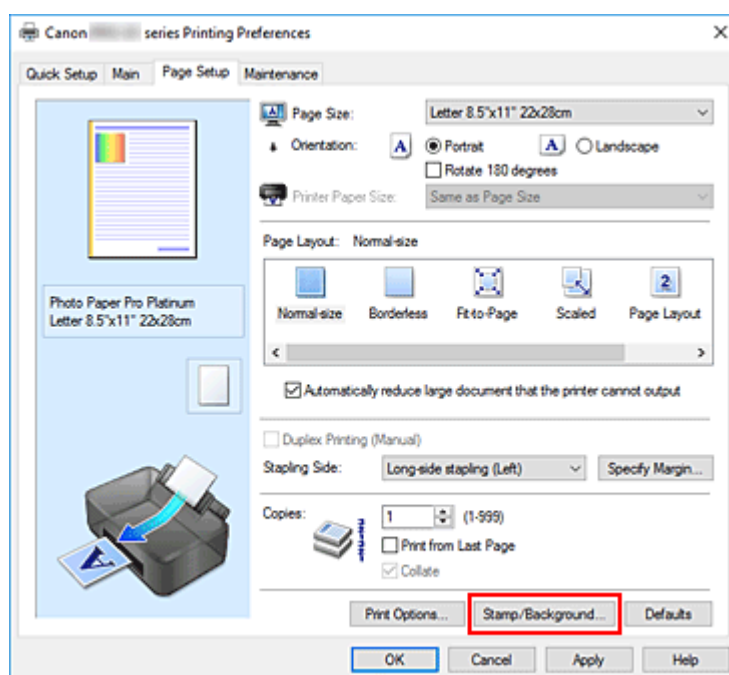
Registering a Stamp

This feature may be unavailable when certain operating environments are used.

You can create and register a new stamp. You can also change and re-register some of the settings of an existing stamp. Unnecessary stamps can be deleted at any time.

Registering a New Stamp

1. Open the [printer driver setup window](#)
2. Click **Stamp/Background...** on the **Page Setup** tab



The **Stamp/Background** dialog box opens.

3. Click **Define Stamp...**

The **Stamp Settings** dialog box opens.

4. Configure the stamp while viewing the preview window

- **Stamp** tab

Select **Text**, **Bitmap**, or **Date/Time/User Name** that matches your purpose for **Stamp Type**.

- For **Text** registration, the characters must already be entered in **Stamp Text**. If necessary, change the **TrueType Font**, **Style**, **Size**, and **Outline** settings. You can select the color of the stamp by clicking **Select Color....**
- For **Bitmap**, click **Select File...** and select the bitmap file (.bmp) to be used. If necessary, change the settings of the **Size** and **Transparent white area**.

- For **Date/Time/User Name**, the creation date/time and user name of the printed object are displayed in **Stamp Text**. If necessary, change the settings of **TrueType Font**, **Style**, **Size**, and **Outline**. You can select the color of the stamp by clicking **Select Color....**

»» Important

- **Stamp Text** appears grayed out and is unavailable when **Date/Time/User Name** is selected.

• Placement tab

Select the stamp position from the **Position** list. You can also select **Custom** from the **Position** list and specify coordinates for **X-Position** and **Y-Position**.

You can also change the stamp position by dragging the stamp in the preview window.

To change the stamp position angle, type a value in the **Rotation** box directly.

»» Important

- **Rotation** cannot be changed when **Bitmap** is selected for **Stamp Type** on the **Stamp** tab.

5. Save the stamp

Click the **Save settings** tab and enter a title in the **Title** box, and then click **Save**.

Click **OK** when the confirmation message appears.

»» Note

- Spaces, tabs, and returns cannot be entered at the beginning or end of a title.

6. Complete the setup

The registered title appears in the **Stamps** list.

Changing and Registering Some of Stamp Settings

1. Select the stamp for which the settings are to be changed

Select the **Stamp** check box in the **Stamp/Background** dialog box. Then from the list, select the title of the stamp to be changed.

2. Click **Define Stamp...**

The **Stamp Settings** dialog box opens.

3. Configure the stamp while viewing the preview window

4. Overwrite save the stamp

Click **Save overwrite** on the **Save settings** tab.

When you want to save the stamp with a different title, type a new title in the **Title** box and click **Save**.

Click **OK** when the confirmation message appears.

5. Complete the setup

The registered title appears in the **Stamps** list.

Deleting an Unnecessary Stamp

1. Click **Define Stamp...** in the **Stamp/Background** dialog box

The **Stamp Settings** dialog box opens.

2. Select the stamp to be deleted

Select the title of the stamp you want to delete from the **Stamps** list on the **Save settings** tab. Then click **Delete**.

Click **OK** when the confirmation message appears.

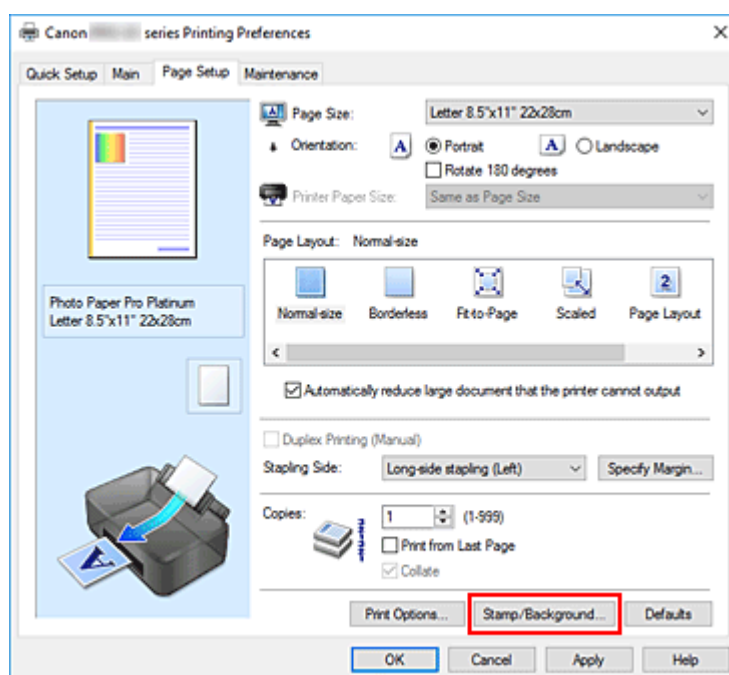
Registering Image Data to be Used as a Background

This feature may be unavailable when certain operating environments are used.

You can select a bitmap file (.bmp) and register it as a new background. You can also change and register some of the settings of an existing background. An unnecessary background can be deleted.

Registering New Background

1. Open the [printer driver setup window](#)
2. Click **Stamp/Background...** on the **Page Setup** tab



The **Stamp/Background** dialog box opens.

3. Click **Select Background...**

The **Background Settings** dialog box opens.

4. Select the image data to be registered to the background

Click **Select File....** Select the target bitmap file (.bmp), and then click **Open**.

5. Specify the following settings while viewing the preview window

Layout Method

Select how the background image data is to be placed.

When **Custom** is selected, you can set coordinates for **X-Position** and **Y-Position**.

You can also change the background position by dragging the image in the preview window.

Intensity

Set the intensity of the background image data with the **Intensity** slider. Moving the slider to the right darkens the background, and moving the slider to the left lightens the background. To print the background at the original bitmap intensity, move the slider to the rightmost position.

6. Save the background

Click the **Save settings** tab and enter a title in the **Title** box, and then click **Save**.
Click **OK** when the confirmation message appears.

▶▶▶ Note

- Spaces, tabs, and returns cannot be entered at the beginning or end of a title.

7. Complete the setup

The registered title appears in the **Backgrounds** list.

Changing and Registering Some Background Settings

1. Select the background for which the settings are to be changed

Select the **Background** check box in the **Stamp/Background** dialog box. Then from the list, select the title of the background you want to change.

2. Click **Select Background...**

The **Background Settings** dialog box opens.

3. Specify each item on the **Background** tab while viewing the preview window

4. Save the background

Click **Save overwrite** on the **Save settings** tab. When you want to save the background with a different title, enter a new title in the **Title** box and click **Save**.

Click **OK** when the confirmation message appears.

5. Complete the setup

The registered title appears in the **Backgrounds** list.

Deleting an Unnecessary Background

1. Click **Select Background...** in the **Stamp/Background** dialog box

The **Background Settings** dialog box opens.

2. Select the background to be deleted

Select the title of the background you want to delete from the **Backgrounds** list on the **Save settings** tab, and then click **Delete**.
Click **OK** when the confirmation message appears.

Switching the Paper Source to Match the Purpose

In this printer, there are two paper sources, a manual feed tray and a top feed.

You can facilitate printing by selecting a paper source setting that matches your media type or purpose.

The procedure for setting paper source is as follows:

You can also set the paper source on the **Quick Setup** tab.

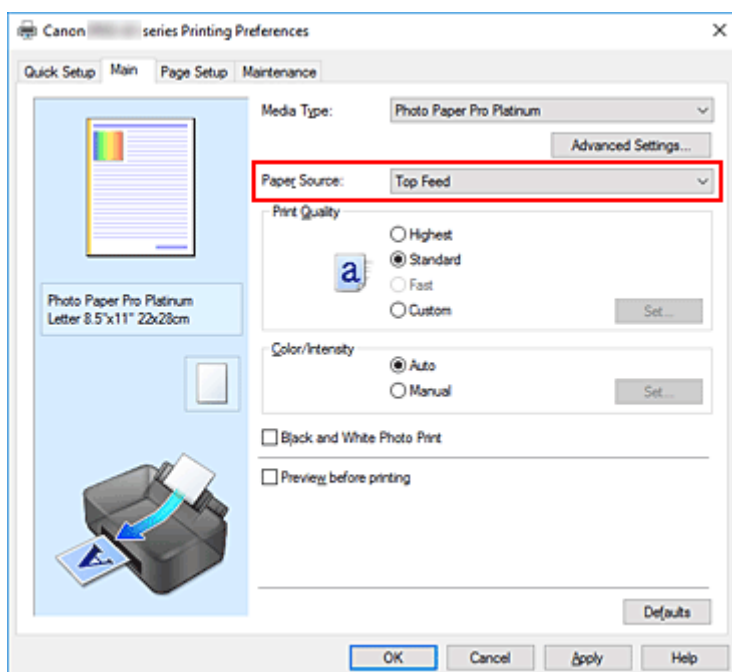
1. Open the [printer driver setup window](#)

2. Select the media type

Select the type of paper loaded in the printer from the **Media Type** list on the **Main** tab.

3. Select the paper source

From the **Paper Source** list, select the paper source that matches your purpose.



Manual Feed

Paper is supplied from the manual feed tray in the back.

»»» Important

- When **A5, B5, 4"x6" 10x15cm, 5"x7" 13x18cm, 7"x10" 18x25cm, L 89x127mm, 2L 127x178mm, Hagaki 100x148mm, or Hagaki 2 200x148mm** is selected for **Page Size** on the **Page Setup** tab, paper cannot be supplied from the manual feed tray in the back.
- When **Plain Paper, Hagaki A, Ink Jet Hagaki, or Hagaki** is selected for **Media Type** on the **Main** tab, paper cannot be supplied from the manual feed tray in the back.

Top Feed

Paper is fed from the top feed.

»» Important

- When **Heavyweight Photo Paper**, **Baryta Photo Paper**, **Premium Fine Art Smooth**, **Premium Fine Art Rough**, **Photo Paper Pro Premium Matte A**, **Extra Heavyweight Fine Art Paper**, or **Highest Density Fine Art Paper** is selected for **Media Type** on the **Main** tab, paper cannot be supplied from the top feed.

4. Click **OK**

When you perform print, the printer uses the specified paper source to print the data.

»» Note

- If the paper settings in the printer driver differ from the paper information registered on the printer, an error may occur. For instructions on what to do if an error occurs, see "[Register Paper Information](#)."

For details about the paper information to be registered on the printer, see the following:

- [Paper Settings on the Printer Driver and the Printer \(Media Type\)](#)
- [Paper Settings on the Printer Driver and the Printer \(Paper Size\)](#)

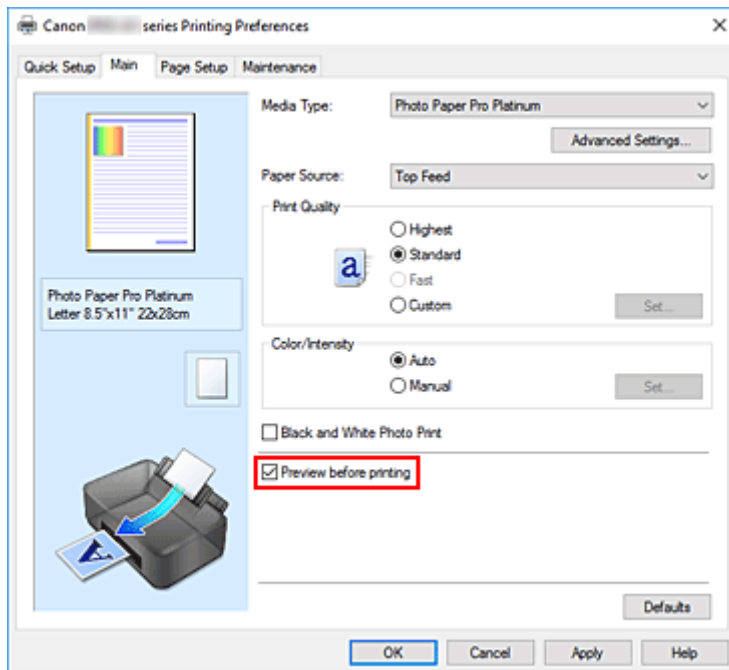
Displaying the Print Results before Printing

You can display and check the print result before printing.

You can also set the print results display on the **Quick Setup** tab.

1. Open the [printer driver setup window](#)
2. Set the preview

Check the **Preview before printing** check box on the **Main** tab.



3. Click **OK**

When you perform print, the Canon IJ Preview opens and displays the print results.

Related Topic

➔ [Canon IJ Preview](#)

Changing the Print Quality and Correcting Image Data

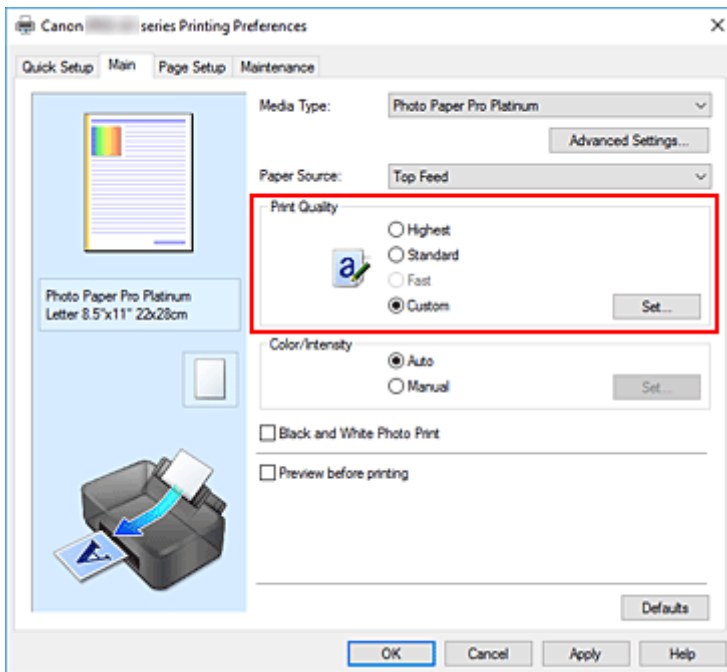
- ▶ **Setting the Print Quality Level (Custom)**
- ▶ **Printing a Color Document in Monochrome**
- ▶ **Specifying Color Correction**
 - Optimal Photo Printing of Image Data
 - Adjusting Colors with the Printer Driver
 - Printing with ICC Profiles
 - Interpreting the ICC Profile
- ▶ **Adjusting Tone**
- ▶ **Adjusting Color Balance**
- ▶ **Adjusting Brightness**
- ▶ **Adjusting Contrast**

Setting the Print Quality Level (Custom)

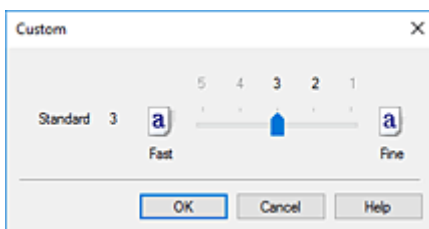
The print quality level can be set in the **Custom**.

1. Open the [printer driver setup window](#)
2. Select the print quality

On the **Main** tab, select **Custom** for **Print Quality**, and click **Set....**



The **Custom** dialog box opens.



3. Setting the print quality level

Drag the slider bar to select the print quality level and click **OK**.

4. Complete the setup

Click **OK** on the **Main** tab.

When you perform print, the image data is printed with the selected print quality level.

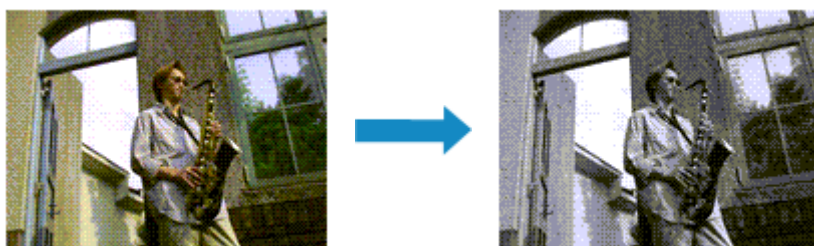
»» Important

- Certain print quality levels cannot be selected depending on the settings of **Media Type**.

Related Topics

- ➔ [Specifying Color Correction](#)
- ➔ [Adjusting Color Balance](#)
- ➔ [Adjusting Brightness](#)
- ➔ [Adjusting Contrast](#)

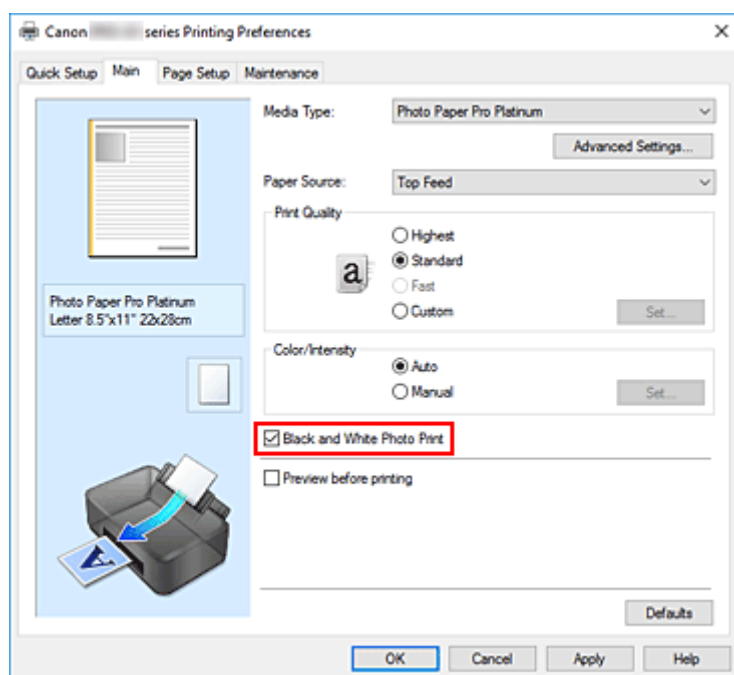
Printing a Color Document in Monochrome



You can also set a black and white photo print in **Additional Features** on the **Quick Setup** tab.

1. Open the [printer driver setup window](#)
2. Set black and white photo printing

Check the **Black and White Photo Print** check box on the **Main** tab.



3. Click **OK**

When you perform print, the document is converted to grayscale data. It allows you to print the color document in monochrome.

►►► Important

- When the **Black and White Photo Print** check box is checked, the printer driver processes image data as sRGB data. In this case, actual colors printed may differ from those in the original image data. When using the grayscale printing function to print Adobe RGB data, convert the data to sRGB data using an application software.

▶▶ Note

- During **Black and White Photo Print**, inks other than black ink may be used as well.

▮ Related Topic

➔ [Adjusting Tone](#)

Specifying Color Correction

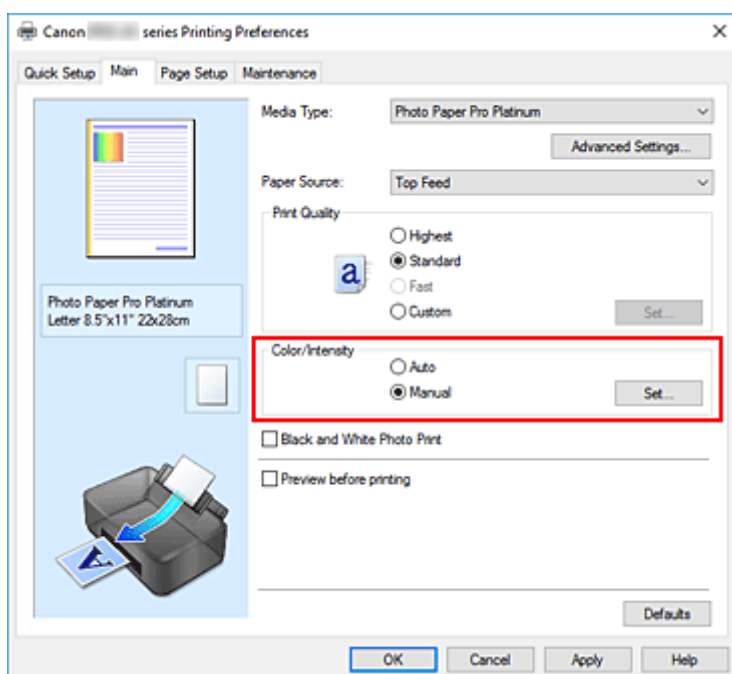
You can specify the color correction method suited to the type of document to be printed. Normally, when data is printed, the printer driver automatically adjusts the colors.

When you want to print by using the color space of the image data effectively, select **ICM**. When you want to use an application software to specify a printing ICC profile, select **None**.

You can also set color correction on the **Quick Setup** tab by choosing **Color/Intensity Manual Adjustment** under **Additional Features**.

1. Open the [printer driver setup window](#)
2. Select the manual color adjustment

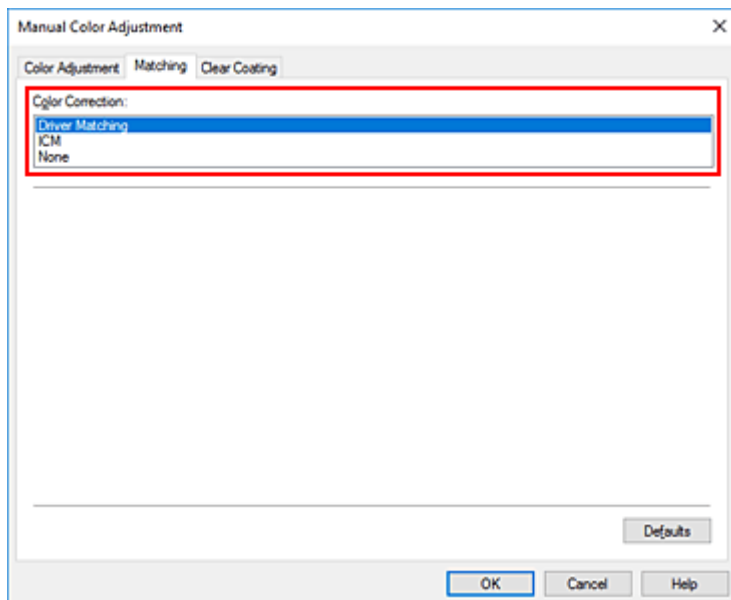
On the **Main** tab, select **Manual** for **Color/Intensity**, and click **Set...**



The **Manual Color Adjustment** dialog box opens.

3. Select color correction

Click **Matching** tab, select **Color Correction** setting that matches your purpose from the following, and click **OK**.



Driver Matching

The driver will perform necessary adjustments during printing.

For information about driver matching, see "[Adjusting Colors with the Printer Driver.](#)"

ICM

Adjusts the colors by using an ICC profile when printing.

Specify the input profile, printer profile, and rendering intent to be used.

None

The printer driver does not perform color correction. Select this value when you are specifying an individually created printing ICC profile or a printing ICC profile for special Canon paper in an application software to print data.

4. Complete the setup

Click **OK** on the **Main** tab.

When you perform print, the document data is printed with the specified color correction.

»»» Important

- When ICM is disabled in the application software, **ICM** is unavailable for **Color Correction** and the printer may not be able to print the image data properly.
- When the **Black and White Photo Print** check box on the **Main** tab is checked, **Color Correction** appears grayed out and is unavailable.

Related Topics

- ➔ [Optimal Photo Printing of Image Data](#)
- ➔ [Adjusting Colors with the Printer Driver](#)
- ➔ [Printing with ICC Profiles](#)
- ➔ [Interpreting the ICC Profile](#)

Optimal Photo Printing of Image Data

When people print images taken with digital cameras, they sometimes feel that the printed color tones differ from those of actual image or those displayed on the monitor.

To get the print results as close as possible to the desired color tones, you must select a printing method that is best suited to the application software used or to your purpose.

Color Management

Devices such as digital cameras, scanners, monitors, and printers handle color differently. Color management (color matching) is a method that manages device-dependent "colors" as a common color space.

For Windows, a color management system called "ICM" is built into the operating system. sRGB is one of the common color spaces that is frequently used.

ICC profiles convert device-dependent "colors" into a common color space. By using an ICC profile and carrying out color management, you can draw out the color space of the image data within the color reproduction area that the printer can express.

▶▶▶ Note

- Normally, image files are saved in JPEG format. Some digital cameras allow you to save images in a format called RAW. RAW data refers to an image saving format that requires a computer to develop the image. You can embed an input ICC profile tag into a RAW file by using special application software.

Selecting a Printing Method Suited to the Image Data

The recommended printing method depends on the color space of the image data or the application software to be used.

There are two typical printing methods.

Check the color space of the image data and the application software to be used, and then select the printing method suited to your purpose.

[Adjusting Colors with the Printer Driver](#)

This section describes the procedure for printing data by using the color correction function of the printer driver.

Select this function when you want to print impressions that are close to those displayed on the monitor, for example, if you corrected the colors while checking the print image on the monitor.

[Printing with ICC Profiles](#)

Describes the procedure for printing by using the color space of the image data effectively.

You can print with a common color space by setting up the application software and the printer driver so that the color management matches the input ICC profile of the image data.

The method for setting up the printer driver differs depending on the application software to be used.

Related Topic

➔ [Interpreting the ICC Profile](#)

Adjusting Colors with the Printer Driver

To use driver matching when printing, turn on the printer driver's color correction function. Driver matching accurately applies the characteristics of data displayed on the monitor and allows you to obtain print results of impressions that are close to those displayed on the monitor.

▶▶▶ Important

- When printing using driver matching, Canon recommends that you set the monitor and the environment light as follows:
 - Monitor
 - Color temperature: D50 (5000K)
 - Brightness: 100 to 120cd/m²
 - Gamma: 2.2
 - Environment light
 - Fluorescent light for D50 color evaluation (color temperature 5000K, high color rendering properties)
 - Brightness when looking at printed materials: 500 lx ± 125 lx

▶▶▶ Note

- When printing from an application software that can identify ICC profiles and allows you to specify them, use a printing ICC profile in the application software, and select settings for color management.

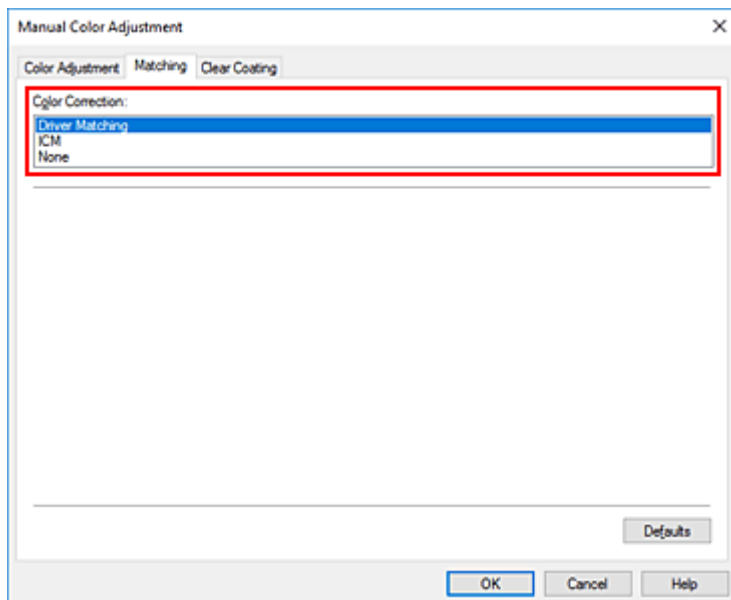
1. Open the [printer driver setup window](#)

2. Select the manual color adjustment

On the **Main** tab, select **Manual** for **Color/Intensity**, and click **Set...**
The **Manual Color Adjustment** dialog box opens.

3. Select color correction

Click **Matching** tab, and select **Driver Matching** for **Color Correction**.



4. Set the other items

If necessary, click **Color Adjustment** tab, and adjust the color balance (**Cyan, Magenta, Yellow**) and adjust **Brightness** and **Contrast** settings, and then click **OK**.

5. Complete the setup

Click **OK** on the **Main** tab.

When you perform print, the printer driver adjusts the colors when printing the data.

Related Topics

- ➔ [Setting the Print Quality Level \(Custom\)](#)
- ➔ [Specifying Color Correction](#)
- ➔ [Adjusting Color Balance](#)
- ➔ [Adjusting Brightness](#)
- ➔ [Adjusting Contrast](#)

Printing with ICC Profiles

When the image data has a specified input ICC profile, you can print by using the color space of the data effectively.

The printer driver setting procedure varies depending on the application software used to print.

Specify an ICC Profile from the Application Software and Print the Data

When you print the editing and touch-up results of Adobe Photoshop, Canon Digital Photo Professional, or any application software that allows you to specify input and printing ICC profiles, you print by effectively using the color space of the input ICC profile specified in the image data.

To use this printing method, use your application software to select color management items and specify an input ICC profile and a printing ICC profile in the image data.

Even if you print using a printing ICC profile that you created yourself or one for special Canon paper, be sure to select color management items from your application software.

For instructions, refer to the manual of the application software you are using.

1. Open the [printer driver setup window](#)

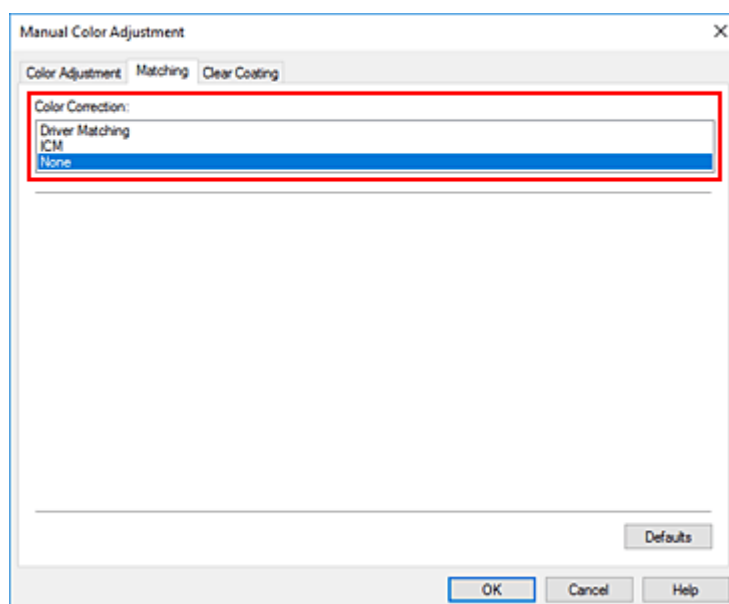
2. Select the manual color adjustment

On the **Main** tab, select **Manual** for **Color/Intensity**, and click **Set...**

The **Manual Color Adjustment** dialog box opens.

3. Select color correction

Click **Matching** tab, and select **None** for **Color Correction**.



4. Set the other items

If necessary, click **Color Adjustment** tab, and adjust the color balance (**Cyan, Magenta, Yellow**) and adjust **Brightness** and **Contrast** settings, and then click **OK**.

5. Complete the setup

Click **OK** on the **Main** tab.

When you perform print, the printer uses the color space of the image data.

Specify an ICC Profile with the Printer Driver, and then Print

When you print from application software that cannot identify input ICC profiles or does not allow you to specify one, the data color space is printed as sRGB.

1. Open the [printer driver setup window](#)

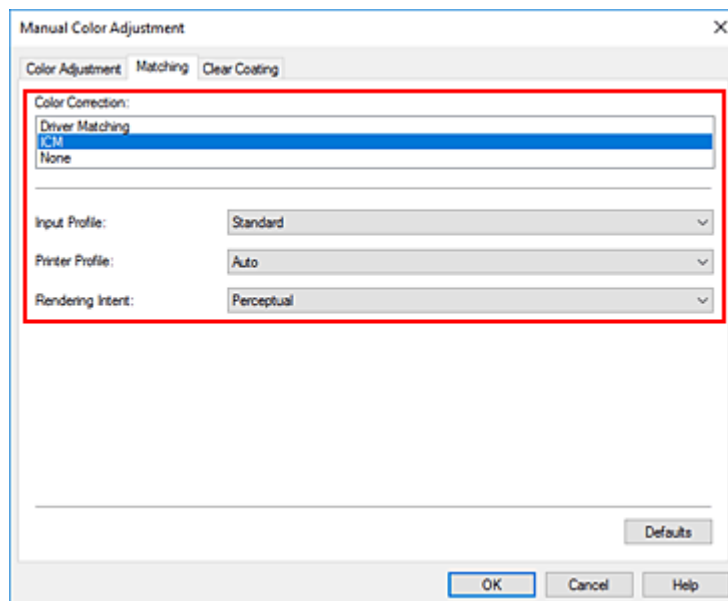
2. Select the manual color adjustment

On the **Main** tab, select **Manual** for **Color/Intensity**, and click **Set....**

The **Manual Color Adjustment** dialog box opens.

3. Select color correction

Click **Matching** tab, and select **ICM** for **Color Correction**.



4. For **Input Profile**, select **Standard**.

▶▶▶ Important

- When the application software specifies an input profile, the input profile setting of the printer driver becomes invalid.

5. Select the printer profile

Select **Printer Profile**.

- To set the printer profile automatically:
Select **Auto**.
- To set the printer profile manually:
Select a printer profile that matches the media type to be used.

6. Select the rendering intent

Select the coloring adjustment method in **Rendering Intent**.

- **Saturation**

This method reproduces images even more vividly than the **Perceptual** method.

- **Perceptual**

This function effectively prints the color space that the printer can reproduce. Because this function accurately renders the attributes of the data displayed on the monitor, select this function when you want to print with impressions that are close to those displayed on the monitor.

▶▶▶ Important

- When you select **Perceptual** to print images, Canon recommends that you set the monitor and the environment light as follows:
 - Monitor
Color temperature: D50 (5000K)
Brightness: 100 to 120cd/m²
Gamma: 2.2
 - Environment light
Fluorescent light for D50 color evaluation (color temperature 5000K, high color rendering properties)
Brightness when looking at printed materials: 500 lx ± 125 lx

- **Relative Colorimetric**

When image data is converted to the color space of the printer, this method converts the image data so the color reproduction approximates the shared color regions. Select this method to print image data with colors that are close to the original colors.

- **Absolute Colorimetric**

When **Relative Colorimetric** is selected, white spots are reproduced as white spots of the paper (background color). However, when **Absolute Colorimetric** is selected, how the white spots are reproduced depends on the image data.

▶▶▶ Important

- Depending on the media type, you may obtain the same print results even when you change the **Rendering Intent** setting.

7. Set the other items

If necessary, click **Color Adjustment** tab, and adjust the color balance (**Cyan, Magenta, Yellow**) and adjust **Brightness** and **Contrast** settings, and then click **OK**.

8. Complete the setup

Click **OK** on the **Main** tab.

When you perform print, the printer uses the color space of the image data.

Related Topics

- ➔ [Setting the Print Quality Level \(Custom\)](#)
- ➔ [Specifying Color Correction](#)
- ➔ [Adjusting Color Balance](#)
- ➔ [Adjusting Brightness](#)
- ➔ [Adjusting Contrast](#)

Interpreting the ICC Profile

When you need to specify an ICC profile for this printer, specify the ICC profile of the print output media.

The ICC profiles installed for this printer appear as follows.

Canon XXXXX Photo Paper Plus Glossy II
(1) (2)

- (1) : Printer model
- (2) : Media type
 - Baryta Photo Paper -P: Baryta Photo Paper
 - Canvas -P: Canvas
 - Extra Heavyweight Fine Art Paper -P: Extra Heavyweight Fine Art Paper
 - Heavyweight Fine Art Paper -P: Heavyweight Fine Art Paper
 - Heavyweight Photo Paper -P: Heavyweight Photo Paper
 - Highest Density Fine Art Paper -P: Highest Density Fine Art Paper
 - Japanese Paper Washi -P: Japanese Paper Washi
 - Lightweight Photo Paper -P: Lightweight Photo Paper
 - Matte Photo Paper -P: Matte Photo Paper
 - Photo Paper Plus Glossy II A: Photo Paper Plus Glossy II
 - Photo Paper Plus Semi-gloss: Photo Paper Plus Semi-gloss
 - Photo Paper Pro Crystal Grade: Photo Paper Pro Crystal Grade
 - Photo Paper Pro Luster: Photo Paper Pro Luster
 - Photo Paper Pro Platinum: Photo Paper Pro Platinum
 - Photo Paper Pro Premium Matte A: Photo Paper Pro Premium Matte
 - Premium Fine Art Rough: Premium Fine Art Rough
 - Premium Fine Art Smooth: Premium Fine Art Smooth

▶▶▶ Note

- For ICC profiles that display "-P" at the end of the media type, the print results are the same when you set **Rendering Intent** to **Perceptual** or **Relative Colorimetric**.

Adjusting Tone

When printing black and white photos, you can produce the cooling effects of cool colors and the warming effects of warm colors.



Cool Tone is selected **Black and White** is selected **Warm Tone** is selected

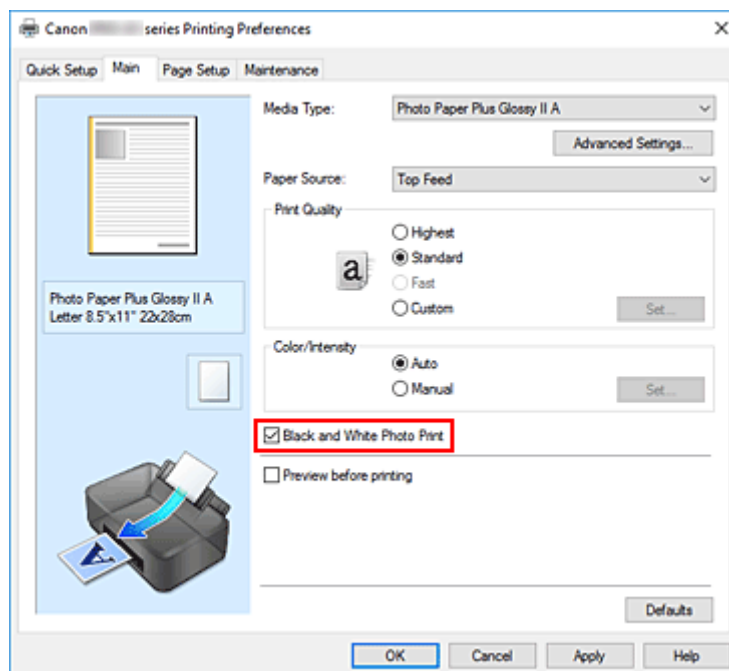
1. Open the [printer driver setup window](#)

2. Select the media type

For **Media Type** on the **Main** tab, select **Photo Paper Plus Glossy II A**, **Photo Paper Pro Platinum**, **Photo Paper Pro Luster**, **Photo Paper Plus Semi-gloss**, **Photo Paper Pro Crystal Grade**, **Lightweight Photo Paper**, **Heavyweight Photo Paper**, **Baryta Photo Paper**, **Premium Fine Art Smooth**, **Premium Fine Art Rough**, **Photo Paper Pro Premium Matte A**, **Heavyweight Fine Art Paper**, **Extra Heavyweight Fine Art Paper**, **Highest Density Fine Art Paper**, **Canvas**, or **Japanese Paper Washi**.

3. Set black and white photo printing

Check the **Black and White Photo Print** check box.



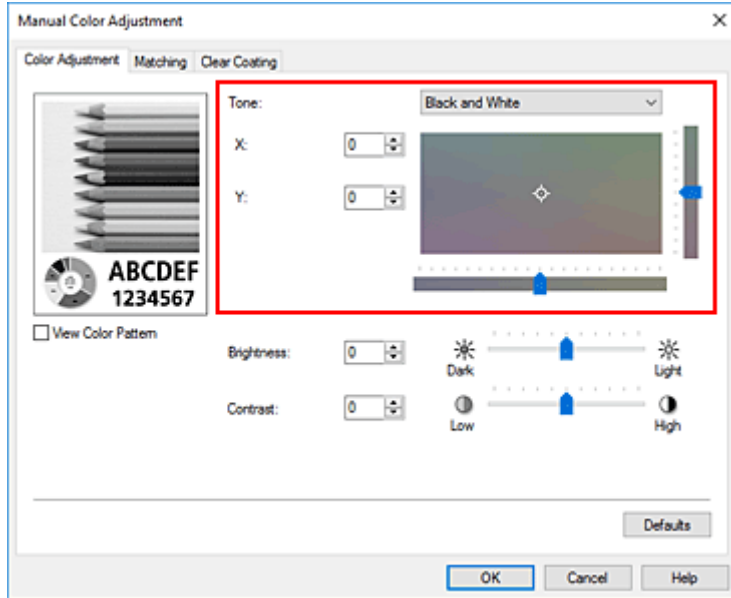
4. Select the manual color adjustment

Select **Manual** for **Color/Intensity**, and click **Set...**

The **Manual Color Adjustment** dialog box opens.

5. Adjusting monochrome tones

From the **Tone** pull-down menu, specify any of the following items.



Cool Tone

This item adjusts color tones to cool shades of gray (cool black). When you select this item, a value of -30 is entered for **X**, and a value of 0 for **Y**.

Black and White

This item adjusts color tones to neutral shades of gray. When you select this item, a value of 0 is entered for **X**, and a value of 0 for **Y**.

Warm Tone

This item adjusts color tones to warm shades of gray (warm black). When you select this item, a value of 30 is entered for **X**, and a value of 0 for **Y**.

Custom

You can adjust the color tones by using the horizontal and vertical sliders while checking the colors in the center adjustment area.

Adjust the horizontal and vertical sliders by dragging them to the left/right or up/down, respectively.

You can also adjust color tones by clicking or dragging the center adjustment area with the mouse.

You can also directly enter values that are linked to the sliders. When you enter values, set values in the range of -100 to 100 for **X**, and -50 to 50 for **Y**.

►►► Note

- **Custom** cannot be selected since it is displayed automatically when the adjustment value is directly entered.

X, Y (Monochromatic adjustment value)

If necessary, you can adjust monochromatic colors manually.

To adjust the color tones, either enter values directly or click the up/down arrows.

You can also adjust the color tones by clicking or dragging the adjustment area with the mouse.

The value is also linked to the horizontal and vertical sliders.

When you enter values, set values in the range of -100 to 100 for **X**, and -50 to 50 for **Y**.

The selected value will be shown in the preview on the left side.

After adjusting the tones, click **OK**.

6. Complete the setup

Click **OK** on the **Main** tab.

When you perform print, the color document is converted to grayscale data with adjusted tones. It allows you to print the color document in monochrome.

Related Topics

- ➔ [Printing a Color Document in Monochrome](#)
- ➔ [Adjusting Brightness](#)
- ➔ [Adjusting Contrast](#)

Adjusting Color Balance

You can adjust the color tints when printing.

Since this function adjusts color balance of the output by changing the ink ratios of each color, it changes the total color balance of the document. Use the application software when you want to change the color balance significantly. Use the printer driver only when you want to adjust the color balance slightly.

The following sample shows the case when color balance is used to intensify cyan and to diminish yellow so that the overall colors are more uniform.

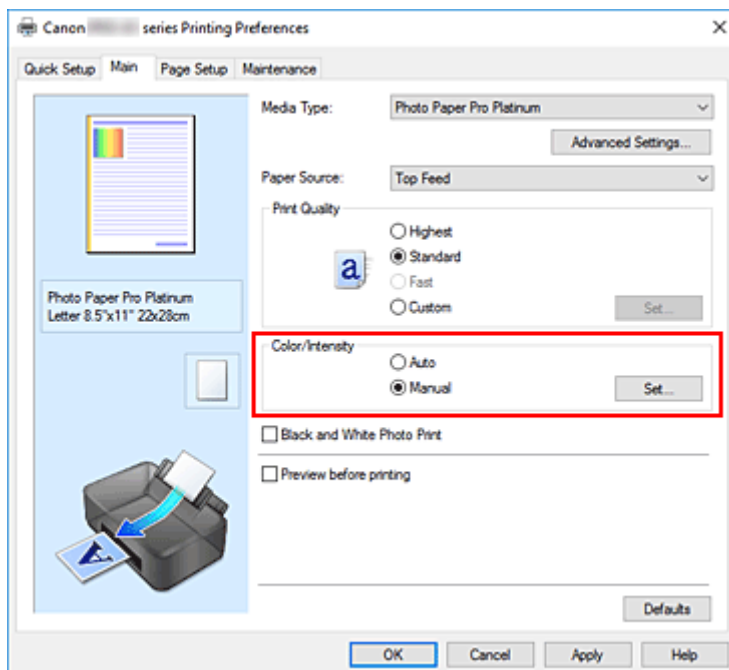


No adjustment Adjust color balance

You can also set color balance on the **Quick Setup** tab by choosing **Standard** or **Photo Printing** under **Commonly Used Settings**, and then choosing **Color/Intensity Manual Adjustment** under **Additional Features**.

1. Open the [printer driver setup window](#)
2. Select the manual color adjustment

On the **Main** tab, select **Manual** for **Color/Intensity**, and click **Set...**



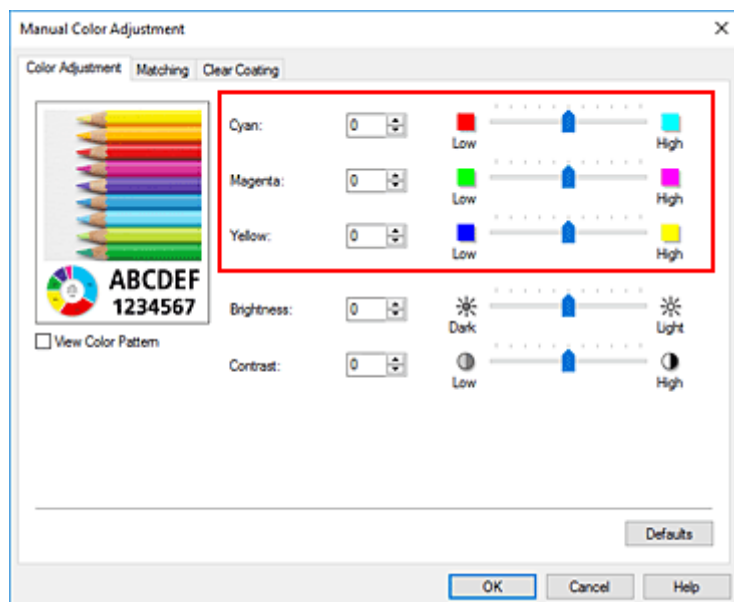
The **Manual Color Adjustment** dialog box opens.

3. Adjust color balance

There are individual sliders for **Cyan**, **Magenta**, and **Yellow**. Each color becomes stronger when the corresponding slider is moved to the right, and becomes weaker when the corresponding slider is moved to the left. For example, when cyan becomes weaker, the color red becomes stronger.

You can also directly enter a value linked to the slider. Enter a value in the range from -50 to 50. The current settings are displayed in the settings preview on the left side of the printer driver.

After adjusting each color, click **OK**.



4. Complete the setup

Click **OK** on the **Main** tab.

When you perform print, the document is printed with the adjusted color balance.

»» Important

- When the **Black and White Photo Print** check box on the **Main** tab is checked, the color balance (**Cyan**, **Magenta**, **Yellow**) cannot be set.

Related Topics

- ➔ [Setting the Print Quality Level \(Custom\)](#)
- ➔ [Specifying Color Correction](#)
- ➔ [Adjusting Brightness](#)
- ➔ [Adjusting Contrast](#)

Adjusting Brightness

You can brighten or darken the colors of the overall image data during printing.

The following sample shows the case when light colors are darkened when the image data is printed.



No adjustment

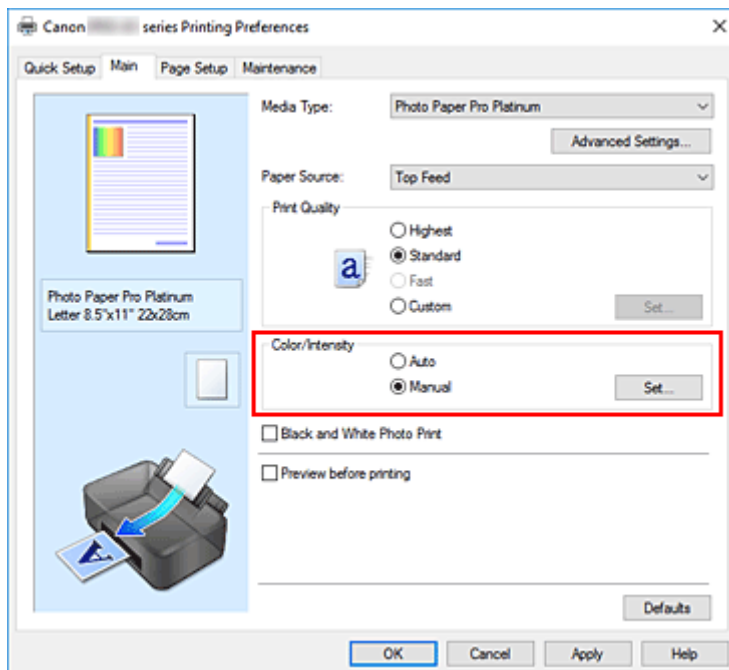


Darken light colors

You can also set brightness on the **Quick Setup** tab by choosing **Standard** or **Photo Printing** under **Commonly Used Settings**, and then choosing **Color/Intensity Manual Adjustment** under **Additional Features**.

1. Open the [printer driver setup window](#)
2. Select the manual color adjustment

On the **Main** tab, select **Manual** for **Color/Intensity**, and click **Set...**



The **Manual Color Adjustment** dialog box opens.

3. Adjust brightness

Moving the **Brightness** slider to the right brightens (dilutes) the colors, and moving the slider to the left darkens (intensifies) the colors.

You can also directly enter a value linked to the slider. Enter a value in the range from -50 to 50. The current settings are displayed in the settings preview on the left side of the printer driver.

After adjusting the brightness, click **OK**.

4. Complete the setup

Click **OK** on the **Main** tab.

When you perform print, the data is printed at the adjusted brightness.

Related Topics

- ➔ [Setting the Print Quality Level \(Custom\)](#)
- ➔ [Specifying Color Correction](#)
- ➔ [Adjusting Color Balance](#)
- ➔ [Adjusting Contrast](#)

Adjusting Contrast

You can adjust the image contrast during printing.

To make the differences between the light and dark portions of images greater and more distinct, increase the contrast. On the other hand, to make the differences between the light and dark portions of images smaller and less distinct, reduce the contrast.



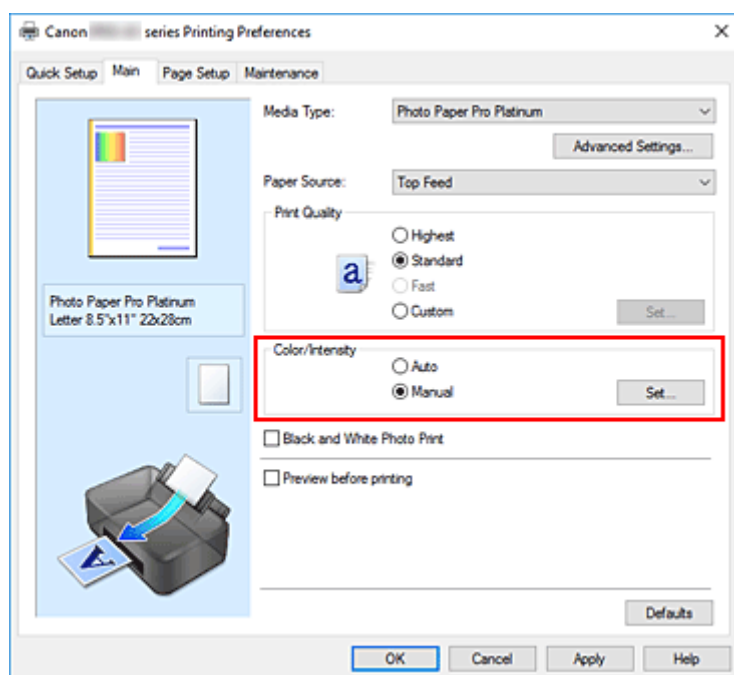
No adjustment

Adjust the contrast

You can also set contrast on the **Quick Setup** tab by choosing **Color/Intensity Manual Adjustment** under **Additional Features**.

1. Open the [printer driver setup window](#)
2. Select the manual color adjustment

On the **Main** tab, select **Manual** for **Color/Intensity**, and click **Set...**



The **Manual Color Adjustment** dialog box opens.

3. Adjust the contrast

Moving the **Contrast** slider to the right increases the contrast, and moving the slider to the left decreases the contrast.

You can also directly enter a value linked to the slider. Enter a value in the range from -50 to 50. The current settings are displayed in the settings preview on the left side of the printer driver.

After adjusting the contrast, click **OK**.

4. Complete the setup

Click **OK** on the **Main** tab.

When you perform print, the image is printed with the adjusted contrast.

Related Topics

- ➔ [Setting the Print Quality Level \(Custom\)](#)
- ➔ [Specifying Color Correction](#)
- ➔ [Adjusting Color Balance](#)
- ➔ [Adjusting Brightness](#)

Printing Using a Web Service

- ▶ [Printing with Google Cloud Print](#)

Printing with Google Cloud Print

The printer is compatible with Google Cloud Print™ (Google Cloud Print is a service provided by Google Inc.).

By using Google Cloud Print, you can print from anywhere with applications or services supporting Google Cloud Print.

Sending Print Data and Printing via Internet



Once you register the printer to Google Cloud Print, you can print from applications or services supporting Google Cloud Print without internet connection.

Sending Print Data and Printing without Going through Internet



»» Important

- This function may not be available depending on the country or region you live in.
 - To use Google Cloud Print, you need to get Google account and register the printer with Google Cloud Print in advance.
- Additionally, internet connection with the printer is required to register the printer to Google Cloud Print. Internet connection fees apply.
- Enabling Bonjour on the printer is required.

Step1 [Getting Google Account](#)



Step2 [Registering Printer with Google Cloud Print](#)



Step3 [Printing from Computer or Smartphone with Google Cloud Print](#)

▶▶▶ Important

- When the printer owner changes, delete its registration from Google Cloud Print.

➔ [Deleting Printer from Google Cloud Print](#)

Internet connection with the printer is required to delete the printer from Google Cloud Print. Internet connection fees apply.

Getting Google Account

To print with Google Cloud Print, you need to get Google account and register the printer with Google Cloud Print in advance.

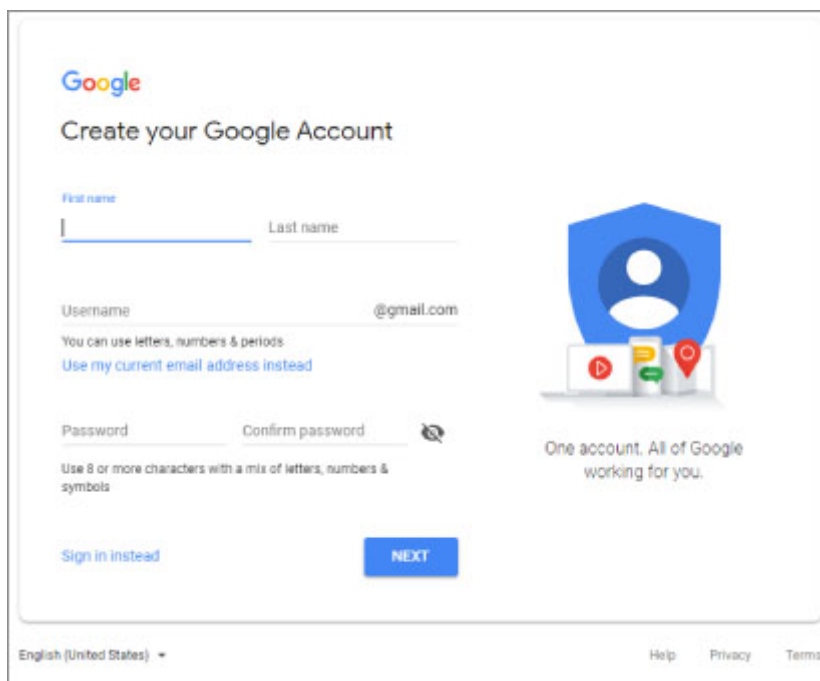
▶▶▶ Note

- If you already have Google account, register the printer to Google Cloud Print.

➔ [Registering Printer with Google Cloud Print](#)

1. Obtain Google account.

Access to Google Cloud Print with the web browser on the computer or the mobile device and register the required information.



The screenshot shows the Google Account creation interface. At the top left is the Google logo, followed by the heading "Create your Google Account". Below this are input fields for "First name" and "Last name". The "Username" field is followed by "@gmail.com" and a note: "You can use letters, numbers & periods. Use my current email address instead". There are "Password" and "Confirm password" fields with a strength indicator icon. A note below the password fields says: "Use 8 or more characters with a mix of letters, numbers & symbols". On the right side, there is a blue shield icon with a white person silhouette, and below it, icons for YouTube, Gmail, and Maps. Text next to these icons reads: "One account. All of Google working for you." At the bottom left is a "Sign in instead" link, and at the bottom center is a blue "NEXT" button. At the very bottom, there is a language selector "English (United States)" and links for "Help", "Privacy", and "Terms".

* The screen above may change without prior notice.

2. [Registering Printer with Google Cloud Print.](#)

Registering Printer with Google Cloud Print

The printer can be registered to Google Cloud Print with the following two methods.



➔ [Registration Using Google Chrome](#)

➔ [Registration Using Printer](#)

»»» Important

- If you have not gotten Google account, get it.
 - ➔ [Getting Google Account](#)
- When the printer owner changes, delete its registration from Google Cloud Print.
 - ➔ [Deleting Printer from Google Cloud Print](#)
- Internet connection with the printer is required to register the printer to Google Cloud Print and to delete it. Internet connection fees apply.
- Depending on the device or application you are using, a message urging you to register the printer to Google Cloud Print may appear while the printer and your device are connected to the same network. In this case, register the printer following the instructions that appears.

Registration Using Google Chrome


1. Start Google Chrome browser on your computer.
2. Select **Sign in to Chrome** from either your name or  (user icon) in top right of screen.
3. Log in to your Google account.
4. Select **Settings** from  (**Customize and control Google Chrome** menu).
5. Select **Advanced** to display information.
6. Select **Manage Google Cloud devices** for **Google Cloud Print**.
7. When your model name and **Add printers** button are displayed, select **Add printers**.
8. When confirmation message for registering printer appears, select **Register**.
9. When register confirmation screen is displayed on printer's LCD, select **Yes**.
Printer registration is complete.

10. [Printing from Computer or Smartphone with Google Cloud Print.](#)

Registration Using Printer

1. Check that printer is turned on.

➔ [Power Supply](#)

2. Select  **Various settings** on HOME screen and press the **OK** button.

➔ [LCD and Operation Panel](#)

3. Use the ▲▼ buttons to select **Web service setup** and press the **OK** button.
4. Select **Web service connection setup > Google Cloud Print setup > Register with Google Cloud Print**.

▶▶▶ Note

- If you have already registered the printer with Google Cloud Print, the confirmation message to re-register the printer is displayed.

5. When confirmation message to register printer is displayed, use the ◀▶ buttons to select **Yes** and press the **OK** button.
6. When message to select language on print setting screen of Google Cloud Print is displayed, select **Next** and press the **OK** button.
7. Use the ▲▼ buttons to select a display language on print setting screen of Google Cloud Print and press the **OK** button.

The confirmation message to print the authentication URL is displayed.

8. Load A4 or Letter-sized plain paper and press the **OK** button.

The authentication URL is printed.

9. Make sure authentication URL is printed, select **Yes**.

10. Perform authentication process using web browser on computer or mobile device.

Access to the URL using the web browser on the computer or the mobile device and perform the authentication process following the on-screen instructions.

»» Important

- Accessing to printed URL and performing the authentication process have to be carried out quickly.
- If you exceed time limit of the authentication process, an error message is displayed on the printer's LCD. Select **OK**. When the confirmation message to print the authentication URL is displayed, try again from step 8.

»» Note

- Perform the authentication process with your Google account which you have gotten in advance.

11. When message that registration is complete is displayed on printer's LCD, select **OK.**

When authentication process is complete properly, the registration items are displayed. When authentication process is complete, you can print the data with Google Cloud Print.

12. [Printing from Computer or Smartphone with Google Cloud Print.](#)

Printing from Computer or Smartphone with Google Cloud Print

When you send print data with Google Cloud Print, the printer receives the print data and prints it automatically.

When printing from a smartphone, tablet, computer, or other external device by using Google Cloud Print, load paper into the printer in advance.

You can print with Google Cloud Print with the following two methods.

- Printing via internet

Internet connection with the printer is required.

➔ [Sending Print Data via Internet](#)

- Printing without going through internet

Local network connection with the printer or enabling printer's Wireless Direct is required. Enabling Bonjour on the printer is required.

➔ [Sending Print Data without Going through Internet](#)

▶▶▶ Note

- Depending on the communication status, it may take a while to print the print data or the printer may not receive the print data.
- While printing with Google Cloud Print, the printing may be canceled depending on the printer's status, such as when the printer is being operated or an error has occurred. To resume printing, check the printer's status and print with Google Cloud Print again.
- For print settings:
 - Depending on the selected media type or paper size, printing may be on one side only even when duplex printing is selected.
 - Depending on the selected media type or paper size, a border may be printed even when Borderless Printing is selected.
 - The print results may differ from the print image depending on the print data.
 - Depending on the device sending the print data, you may not select the print settings when sending the print data with Google Cloud Print.

▶▶▶ Sending Print Data via Internet

This section describes the operation to send print data from Google Chrome browser on the computer. The operation differs depending on the device, applications, or services.

▶▶▶ Important

- Internet connection with the printer is required to send print data via internet. Internet connection fees apply.


1. Check that printer is turned on.

➔ [Power Supply](#)

▶▶▶ Note

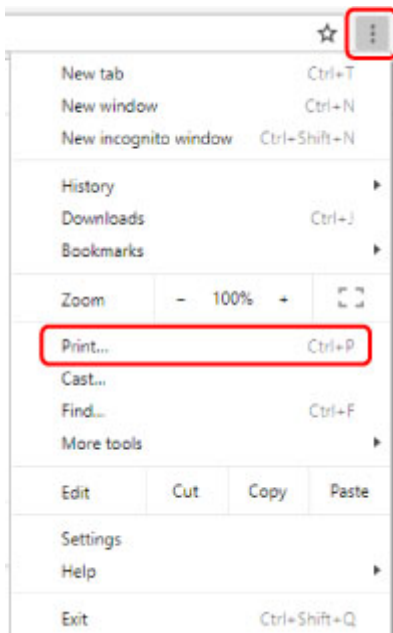
- If the printer's Auto Power On function is enabled, the printer is turned on automatically when it receives the print data.

2. Start Google Chrome browser on your computer.

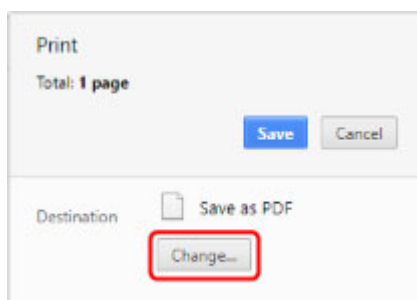
3. Select **Sign in to Chrome** from either your name or  (user icon) in top right of screen.

4. Log in to your Google account.

5. Select **Print...** from  (**Customize and control Google Chrome** menu).



6. Select **Change...** next **Destination**.



7. Select your model name from among the printers registered in Google Cloud Print.

8. Select **Print**.

When the preparation for printing with Google Cloud Print is complete, the printer receives the print data and prints it automatically.


When you want to print from Google Cloud Print immediately

When the printer cannot receive the print data automatically, or you want to start printing immediately, you can check whether there is a print job on the Google Cloud Print and start printing manually.

Follow the steps below.

1. Check that printer is turned on.

➔ [Power Supply](#)

2. Select  **Various settings** on HOME screen and press the **OK** button.

➔ [LCD and Operation Panel](#)

3. Use the ▲▼ buttons to select **Web service inquiry** and press the **OK** button.

▶▶▶ **Note**

- If you have not registered the printer with Google Cloud Print, **Web service inquiry** is not displayed.

4. Use the ▲▼ buttons to select **Print from Google Cloud Print** and press the **OK** button.

The confirmation screen to check is displayed.

5. Use the ▲▼ buttons to select **Yes** and press the **OK** button.

If there is the print data, the printer receives the print data and prints it.

Sending Print Data without Going through Internet

This section describes the operation to send print data from Google Chrome browser on the computer. The operation differs depending on the device, applications, or services.

▶▶▶ **Important**

- Local network connection with the printer or enabling printer's Wireless Direct is required.


1. Check that printer is turned on.

➔ [Power Supply](#)

»» Note

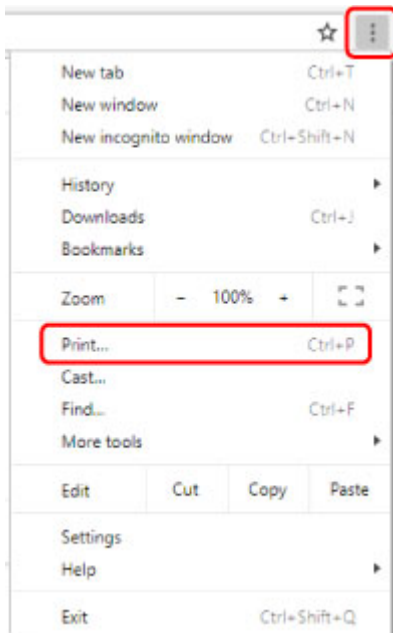
- If the printer's Auto Power On function is enabled, the printer is turned on automatically when it receives the print data.

2. Start Google Chrome browser on your computer.

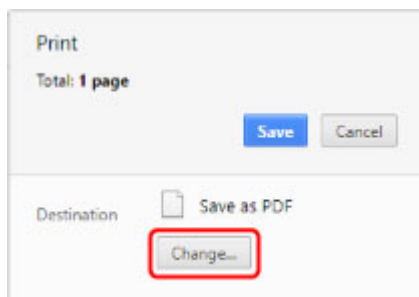
3. Select **Sign in to Chrome** from either your name or  (user icon) in top right of screen.

4. Log in to your Google account.

5. Select **Print...** from  (**Customize and control Google Chrome** menu).



6. Select **Change...** next **Destination**.



7. Select your model name in local destinations.

8. Select **Print**.

When the preparation for printing with Google Cloud Print is complete, the printer receives the print data and prints it automatically.

Deleting Printer from Google Cloud Print

If the printer's owner changes or if you want to re-register the printer, delete it from Google Cloud Print by following the steps below.

The printer can be deleted from Google Cloud Print with the following two methods.



➔ [Deletion Using Google Chrome](#)

➔ [Deletion Using Printer](#)

▶▶▶ Important

- Internet connection with the printer is required to delete the printer from Google Cloud Print. Internet connection fees apply.


Deletion Using Google Chrome

1. Start Google Chrome browser on your computer.
2. Select **Sign in to Chrome** from either your name or  (user icon) in top right of screen.
3. Log in to your Google account.
4. Select **Settings** from  (**Customize and control Google Chrome** menu).
5. Select **Advanced** to display information.
6. Select **Manage Google Cloud devices** for **Google Cloud Print**.
7. Select **Manage** next your model name on device list.
8. Select **Delete**.
9. When confirmation message for deleting printer appears, press the **OK** button.

Deletion Using Printer

1. Check that printer is turned on.

➔ [Power Supply](#)

2. Select  **Various settings** on HOME screen and press the **OK** button.

➔ [LCD and Operation Panel](#)

3. Use the ▲▼ buttons to select **Web service setup** and press the **OK** button.
4. Select **Web service connection setup > Google Cloud Print setup > Delete from Google Cloud Print**.
5. When confirmation message to delete printer is displayed, select **Yes** and press the **OK** button.
6. When message that deletion is complete is displayed, press the **OK** button.

Printing from Smartphone/Tablet

- **Printing from iPhone/iPad/iPod touch (iOS)**
- **Printing from Smartphone/Tablet (Android)**
- **Connecting with Wireless Direct**

Printing from iPhone/iPad/iPod touch (iOS)

- ▶ **Printing from iOS Device (AirPrint)**
- ▶ **Printing with Google Cloud Print**
- ▶ **Using PIXMA/MAXIFY Cloud Link**

Printing with Google Cloud Print

The printer is compatible with Google Cloud Print™ (Google Cloud Print is a service provided by Google Inc.).

By using Google Cloud Print, you can print from anywhere with applications or services supporting Google Cloud Print.

Sending Print Data and Printing via Internet



Once you register the printer to Google Cloud Print, you can print from applications or services supporting Google Cloud Print without internet connection.

Sending Print Data and Printing without Going through Internet



►► Important

- This function may not be available depending on the country or region you live in.
 - To use Google Cloud Print, you need to get Google account and register the printer with Google Cloud Print in advance.
- Additionally, internet connection with the printer is required to register the printer to Google Cloud Print. Internet connection fees apply.
- Enabling Bonjour on the printer is required.

Step1 [Getting Google Account](#)



Step2 [Registering Printer with Google Cloud Print](#)



Step3 [Printing from Computer or Smartphone with Google Cloud Print](#)

»» Important

- When the printer owner changes, delete its registration from Google Cloud Print.

➔ [Deleting Printer from Google Cloud Print](#)

Internet connection with the printer is required to delete the printer from Google Cloud Print. Internet connection fees apply.

Printing from Smartphone/Tablet (Android)

- ▶ **Printing with Google Cloud Print**
- ▶ **Using PIXMA/MAXIFY Cloud Link**
- ▶ **Printing with Mopria Print Service**
- ▶ **Printing with Canon Print Service**

Printing with Google Cloud Print

The printer is compatible with Google Cloud Print™ (Google Cloud Print is a service provided by Google Inc.).

By using Google Cloud Print, you can print from anywhere with applications or services supporting Google Cloud Print.

Sending Print Data and Printing via Internet



Once you register the printer to Google Cloud Print, you can print from applications or services supporting Google Cloud Print without internet connection.

Sending Print Data and Printing without Going through Internet



►► Important

- This function may not be available depending on the country or region you live in.
 - To use Google Cloud Print, you need to get Google account and register the printer with Google Cloud Print in advance.
- Additionally, internet connection with the printer is required to register the printer to Google Cloud Print. Internet connection fees apply.
- Enabling Bonjour on the printer is required.

Step1 [Getting Google Account](#)



Step2 [Registering Printer with Google Cloud Print](#)



Step3 [Printing from Computer or Smartphone with Google Cloud Print](#)

»» Important

- When the printer owner changes, delete its registration from Google Cloud Print.

➔ [Deleting Printer from Google Cloud Print](#)

Internet connection with the printer is required to delete the printer from Google Cloud Print. Internet connection fees apply.

Connecting with Wireless Direct

You can connect devices (e.g. computer, smartphone, or tablet) to the printer by two methods below.

- Wireless connection (connecting devices via a wireless router)
- Direct wireless connection (connecting devices using Wireless Direct)

This section describes Wireless Direct, which allows you to print by connecting the devices to the printer directly.

Follow the procedure below to set up and use Wireless Direct.

1. Preparing the printer.

➔ [Changing Printer Setting to Use Wireless Direct](#)

2. Preparing a device to connect to the printer.

➔ [Changing Settings of a Device and Connecting It to the Printer](#)

»» Important

- You can connect up to 5 devices to the printer at the same time with Wireless Direct.
- Check the usage restrictions and switch the printer to the Wireless Direct.

➔ [Restrictions](#)

Changing Printer Setting to Use Wireless Direct

1. Make sure the printer is turned on.
2. Select **LAN settings** on HOME screen and then press the **OK** button.
➔ [Setting Items on Operation Panel](#)
3. Select **Wireless Direct** and then press the **OK** button.
4. Select **Settings** and then press the **OK** button.
5. Select **Enable/disable Wireless Direct** and then press the **OK** button.
6. Check displayed message, select **Yes** and then press the **OK** button.

After Wireless Direct is enabled, the identifier (SSID), etc. when using the printer with wireless direct connection are displayed.

You can check various settings of wireless direct.

»» Note

- The password is required when connecting a device to the printer. Depending on the device you are using, no password is required.

- When you connect a Wi-Fi Direct compatible device to the printer, select the device name displayed on the LCD from your device.
- To change the identifier (SSID) and the password, see below.

➔ [Changing Wireless Direct Setting](#)

Changing Settings of a Device and Connecting It to the Printer

1. Turn on Wi-Fi function on your device.

Enable "Wi-Fi" on your device's "Setting" menu.

For more on turning on Wi-Fi function, see your device's instruction manual.

2. Select "DIRECT-XXXX-PRO-300 series" ("X" represents alphanumeric characters) from list displayed on your device.

▶▶▶ Note

- If "DIRECT-XXXX-PRO-300 series" does not appear on the list, Wireless Direct is not enabled. See [Changing Printer Setting to Use Wireless Direct](#) to enable Wireless Direct.

3. Enter password.

Your device is connected to the printer.

▶▶▶ Note

- Check the password for the Wireless Direct.
 1. Select **LAN settings** on the Home screen and then press the **OK** button.
 2. Select **Wireless Direct** and then press the **OK** button.
 3. Select **Show password** and then press the **OK** button.
- Depending on the device you are using, entering the password is required to connect a device to the printer via Wi-Fi. Enter the password specified for the printer.
- If your Wi-Fi Direct compatible device is set to prioritize using Wi-Fi Direct and it is connecting to the printer, the printer displays a confirmation screen asking if you allow the device to connect to the printer.

Make sure the name on the LCD is the same as that of your wireless communication device and select **Yes**.

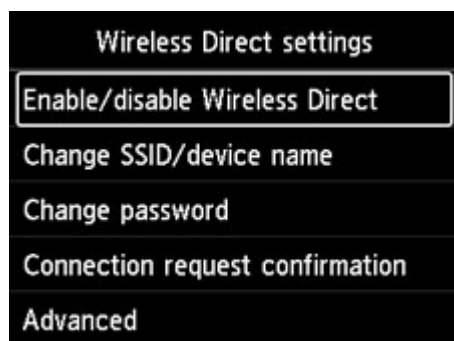
Changing Wireless Direct Setting

Change the settings for the Wireless Direct following the procedure below.

1. Select **LAN settings** on the HOME screen and then press the **OK** button.

2. Select **Wireless Direct** and then press the **OK** button.

3. Select **Settings** and then press the **OK** button.



- **Change SSID/device name**

Change the identifier (SSID) for Wireless Direct.

The identifier (SSID) is the printer's name (device name) displayed on a Wi-Fi Direct compatible device.

Follow the procedure below to change the identifier (SSID).

- To set manually

1. Press the **OK** button to enter the input screen.
2. Enter the identifier or printer name.
3. Confirm the inputted content and select **OK**.

- To set automatically

1. Select **Auto update**.
2. Check displayed message and select **Yes**.

- **Change password**

Change the password for Wireless Direct.

- To set manually.

1. Select **Change manually**.
2. Press the **OK** button to enter the input screen.
3. Enter the new password (10 characters).
4. Confirm the inputted content and select **OK**.

- To set automatically

1. Select **Auto update**.
2. Check displayed message and select **Yes**.

- **Connection request confirmation**

Change the confirmation screen setting when a Wi-Fi Direct compatible device is connecting to the printer.

If you want the printer to display the screen to inform you a Wi-Fi Direct compatible device is connecting to the printer, select **Yes**.

»» Important

- To prevent an unauthorized access, we recommend you should select the setting to display the confirmation screen.

»» Note

- If you change the Wireless Direct setting of the printer, also change the wireless router setting of the device.

Printing Using Operation Panel

- ▶ **Printing Templates Such as Lined or Graph Paper**

Printing Templates Such as Lined or Graph Paper

You can print a template form such as lined paper, graph paper, or checklist, etc. on A3, A4, B5, or Letter-sized plain paper.

You can also print pattern paper for many usages, such as photo album pages and Place mats, onto A3, A4 or Letter-sized plain paper, matte photo paper, card stock paper, and other types of paper.

➔ [Printable template forms](#)

➔ [Printing template forms](#)

Printable template forms

The following templates are available:

- **Pattern paper**



You can select many patterns.

- **Notebook paper**



You can select three line spacing formats.

Setting on the printer's LCD:

- **Notebook paper 1 (8 mm)**
- **Notebook paper 2 (7 mm)**
- **Notebook paper 3 (6 mm)**

- **Graph paper**

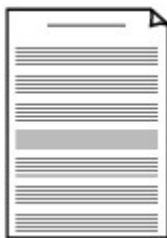


You can select three square sizes.

Setting on the printer's LCD:

- **Graph paper 1 (5 mm grid)**
- **Graph paper 2 (3 mm grid)**
- **Graph paper 3 (1 mm grid)**

• **Staff paper**



You can print staff paper with 10 or 12 staves.

Setting on the printer's LCD:

- **Staff paper 1 (10 staves)**
- **Staff paper 1(10 staves/x2)**
- **Staff paper 2 (12 staves)**
- **Staff paper 2(12 staves/x2)**

• **Checklist**



You can print a notepad with checkboxes.

Setting on the printer's LCD:

Checklist

• **Handwriting paper**

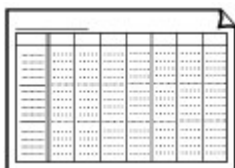


You can print handwriting paper.

Setting on the printer's LCD:

Handwriting paper (3 lines)

• **Weekly schedule**

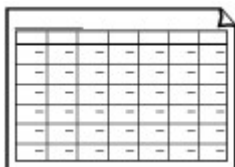


You can print a weekly schedule form.

Setting on the printer's LCD:

Weekly schedule (vertical)

• **Monthly schedule**



You can print a monthly schedule form.

Setting on the printer's LCD:

Monthly schedule(calendar)

Printing template forms

Print template form following the procedure below.

1. Check that printer is turned on.

➔ [Power Supply](#)

2. Select  **Template print** on HOME screen and press the **OK** button.

➔ [LCD and Operation Panel](#)

3. Use the ▲▼ buttons to select template you want to print and press the **OK** button.

When a message appears, check it and press the **OK**.

➔ [Printable template forms](#)

4. Use the ◀▶ buttons to select the form you want to print and press the **OK** button.

5. If necessary, change the settings using the ▲▼ buttons and press the **OK** button.





- **Copies**

Use the ▲▼ buttons to specify the number of copies and press the **OK** button.

- **Page size**

Use the ▲▼ buttons to select the page size and press the **OK** button.

▶▶▶ **Note**

- Depending on the form, some setting of page size cannot be specified. If it is selected,  and **Error details** are displayed on the printer's LCD. In this case, select  on the upper left on the printer's LCD to check the message and change the setting.

- **Type**

Use the ▲▼ buttons to select the media type and press the **OK** button.

▶▶▶ **Note**

- The paper type is set to **Plain paper**, except pattern paper.

- **Paper src**

When printing using **Template print**, **Top feed** is the only paper feed position available.

6. Load paper.

➡ [Loading Paper](#)

When printing pattern paper, load configurable plain paper, matte photo paper, or card stock paper.

7. Select **Start print.**

The printer starts printing.

Printing from Digital Camera

- **Printing Photographs Directly from PictBridge (Wi-Fi) Compliant Device**
- **PictBridge (Wi-Fi) Print Settings**

Printing Photographs Directly from PictBridge (Wi-Fi) Compliant Device

You can connect a PictBridge (Wi-Fi) compliant device such as a digital still camera, digital camcorder, or camera-equipped mobile phone to the printer via Wi-Fi, and print recorded images directly without using a computer.

Connectable devices:

PictBridge (Wi-Fi) compliant device

Printable image data format:

The printer accepts images* taken with a camera compliant with the Design rule for Camera File system and PNG files.

* Exif 2.2/2.21/2.3 compliant

▶▶▶ Important

- Wi-Fi connection with the printer is required to use this function.

▶▶▶ Note

- PictBridge is the Standard to print your photos directly without using a computer, connecting a device such as a digital still camera, digital camcorder, or camera-equipped mobile phone.
In this manual, PictBridge printing with the Wi-Fi connection is referred to as "PictBridge (Wi-Fi)."
- When printing photos with the PictBridge (Wi-Fi) compliant device connected to the printer, we recommend the use of the AC adapter supplied with the device. If you are using the device battery, be sure to charge it fully.
- Depending on the model or brand of your device, you may have to select a print mode compliant with PictBridge (Wi-Fi) before connecting the device. You may also have to turn on the device or select Play mode manually after connecting the device to the printer.

Perform necessary operations on the PictBridge (Wi-Fi) compliant device before connecting it to this printer according to instructions given in the device's instruction manual.

1. Check that printer is turned on.

➡ [Power Supply](#)

2. [Load paper.](#)

3. Connect PictBridge (Wi-Fi) compliant device to printer.

Detect the printer with the PictBridge (Wi-Fi) compliant device and connect the PictBridge (Wi-Fi) compliant device to the printer.

▶▶▶ Note

- For more on detecting the printer, refer to your PictBridge (Wi-Fi) compliant device's instruction manual.

4. Specify print settings such as paper type and layout.

Use your PictBridge (Wi-Fi) compliant device to select the same size and type of paper as is loaded in the printer.

➔ [Settings on PictBridge \(Wi-Fi\) Compliant Device](#)

If your PictBridge (Wi-Fi) compliant device does not have a setting menu, change the setting from the printer.

➔ [Settings on Printer](#)

▶▶▶ Note

- When printing from the PictBridge (Wi-Fi) compliant device, set the print quality with the operation panel on the printer. You cannot set the print quality on the PictBridge (Wi-Fi) compliant device.

5. Start printing from your PictBridge (Wi-Fi) compliant device.

PictBridge (Wi-Fi) Print Settings

- ➔ [Settings on PictBridge \(Wi-Fi\) Compliant Device](#)
- ➔ [Settings on Printer](#)

Settings on PictBridge (Wi-Fi) Compliant Device

This section describes the PictBridge (Wi-Fi) function of the printer. For the print settings on a PictBridge (Wi-Fi) compliant device, refer to the instructions given in the device's instruction manual.

▶▶▶ Note

- In the following description, names of setting items are given according to those used in Canon-brand PictBridge (Wi-Fi) compliant devices. Setting item names may be different depending on the brand or model of your device.
- Some setting items explained below may not be available on some devices. In this case, the settings made on the printer are applied. Also, when some items are set to **Default** on a PictBridge (Wi-Fi) compliant device, the printer settings for these items are applied.

➔ [PictBridge print settings](#)

The following settings can be used when printing from a PictBridge (Wi-Fi) compliant device.

• Paper size

- A3+
- A3
- Letter
- A4
- 4" x 6" (10 x 15 cm)
- 5" x 7" (13 x 18 cm)
- 8" x 10" (20 x 25 cm)
- 2L (5.00 x 7.01 in. (127.0 x 178.0 mm))
- Square 5" x 5" (13 x 13 cm)

▶▶▶ Note

- Depending on your PictBridge (Wi-Fi) compliant device, you may not be able to select some paper sizes or paper size names may vary.

• Paper type

- Default:
 - Photo Paper Pro Platinum <PT-101>
- Photo:
 - Photo Paper Plus Glossy II <PP-201/PP-301>
 - Photo Paper Plus Semi-gloss <SG-201>
 - Matte Photo Paper <MP-101>
- Fast Photo:

- Photo Paper Pro Platinum <PT-101>
- Photo Paper Pro Luster <LU-101>
- Plain:
 - Plain Paper

When **Paper type** is set to **Plain**, borderless printing will be disabled even when **Layout** is set to **Borderless**.

- **Layout**

Default (Selections based on the printer setting), Borderless, Bordered, 1-up*1, 20-up*2, 35-up*3

*1, *2 With a Canon brand PictBridge (Wi-Fi) compliant device, selecting items with "i" mark allows you to print shooting info (Exif Data) in list format (20-up) or on the margins of the specified data (1-up). (May not be available with some Canon-brand PictBridge (Wi-Fi) compliant devices.)

*3 Printed in 35 mm Film Style Layout (Contact Printing Layout). Available only with a Canon-brand PictBridge (Wi-Fi) compliant device. (May not be available with some Canon-brand PictBridge (Wi-Fi) compliant devices.)

- **Print date & file no.**

Default (Off: No printing), Date, File No., Both, Off

- **Image optimize**

Default (Selections based on the printer setting), On (Auto photo fix)*1, Off, Red-Eye*2

*1 The scene or person's face of a shot photo is recognized and the most suitable correction for each photo is made automatically. It makes a darkened face by backlight brighter to print. It also analyzes a scene such as scenery, night scene, person, etc. and corrects each scene with the most suitable color, brightness, or contrasts automatically to print.

*2 Can be selected only on certain Canon-brand PictBridge (Wi-Fi) compliant devices. (May not be selected depending on the device.)

- **Trimming**

Default (Off: No trimming), On (follow the camera's setting), Off

Settings on Printer

You can change the PictBridge (Wi-Fi) print settings from the **PictBridge print settings** screen. Set the print settings to **Default** on the PictBridge (Wi-Fi) compliant device when you want to print according to the settings on the printer.

This section describes the procedure to display the **PictBridge print settings** screen.

1. Check that printer is turned on.

➡ [Power Supply](#)

2. Select  **Various settings** on HOME screen and press the **OK** button.

➔ [LCD and Operation Panel](#)

3. Use the ▲▼ buttons to select **Printer settings**, and press the **OK** button.
4. Use the ▲▼ buttons to select **PictBridge print settings**, and press the **OK** button.
5. Check message that is displayed and press the **OK** button.

The **PictBridge print settings** screen is displayed.

For more on the setting items:

➔ [PictBridge print settings](#)

Windows Software

▶ **Printer Driver**

- [Overview of the Printer Driver](#)
- [Printer Driver Description](#)
- [Updating the Printer Driver](#)

▶ **Printing Using Canon Application Software**

- [Easy-PhotoPrint Editor Guide](#)
- [Preview Guide](#)
- [Professional Print & Layout Guide](#)
- [Digital Photo Printing Guide](#)
- [IJ Network Device Setup Utility Guide](#)
- [Media Configuration Tool Guide](#)
- [PosterArtist Guide](#)

Printer Driver

- **Overview of the Printer Driver**
- **Printer Driver Description**
- **Updating the Printer Driver**

Overview of the Printer Driver

- ▶ **Canon IJ Printer Driver**
 - How to Open the Printer Driver Setup Window
- ▶ **Canon IJ Status Monitor**
 - Checking Ink Status from Your Computer
- ▶ **Instructions for Use (Printer Driver)**
- ▶ **Canon IJ Preview**
- ▶ **Deleting the Undesired Print Job**

Canon IJ Printer Driver

The Canon IJ printer driver (simply called printer driver below) is software that you install onto your computer so that it can communicate with the printer.

The printer driver converts the print data created by your application software into data that your printer can understand, and sends the converted data to the printer.

Because different printers support different data formats, you need a printer driver that supports your printer.

Installing the Printer Driver

To install the printer driver, install the driver from the Setup CD-ROM or our website.

Specifying the Printer Driver

To specify the printer driver, open the **Print** dialog box of the application software you are using, and select "Canon XXX" (where "XXX" is your model name).

Displaying the Manual from the Printer Driver

To display the description of a setup tab from the printer driver's setup screen, click **Help** on that tab.

Related Topic

➔ [How to Open the Printer Driver Setup Window](#)

How to Open the Printer Driver Setup Window

You can display the printer driver's setup screen from your application software or by clicking the printer icon.

Displaying the Printer Driver's Setup Screen from Your Application Software

Perform this procedure to set up the print settings during printing.

1. Select print command from application software

The **Print** command can generally be found in the **File** menu.

2. Select your printer model, and click **Preferences** (or **Properties**)

The printer driver's setup screen appears.

▶▶▶ Note

- Depending on the application software you are using, the command and menu names, and the number of steps may vary. For details, refer to the operating instructions of your application software.

Displaying the Printer Driver's Setup Screen by Clicking the Printer Icon

From the setup screen you can perform printer maintenance operations such as print head cleaning, or set print settings to be shared by all application software.

1. Select **Control Panel** -> **Hardware and Sound** -> **Devices and Printers**

2. Right-click the icon of your model. When the menu appears, select **Printing preferences**

The printer driver's setup screen appears.

▶▶▶ Important

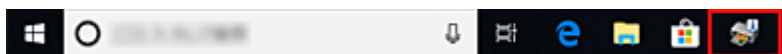
- Opening the printer driver setup window through **Printer properties** displays such tabs regarding the Windows functions as the **Ports** (or **Advanced**) tab. Those tabs do not appear when opening through **Printing preferences** or application software. For tabs regarding Windows functions, refer to the user's manual for the Windows.

Canon IJ Status Monitor

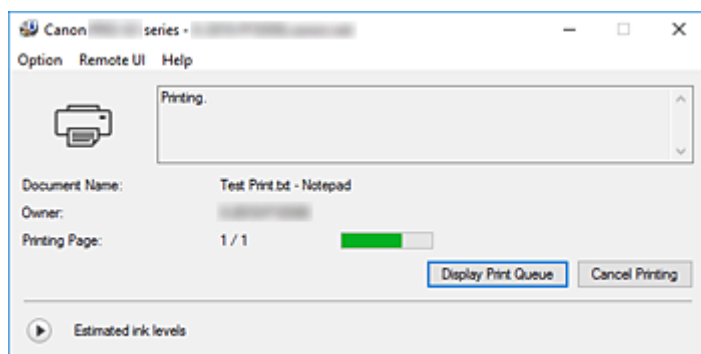
The Canon IJ Status Monitor displays the printer status and the printing progress. The printer status is shown by the images, icons, and messages in the status monitor.

Launching the Canon IJ Status Monitor

The Canon IJ Status Monitor launches automatically when print data is sent to the printer. When launched, the Canon IJ Status Monitor appears as a button on the task bar.



Click the button of the status monitor displayed on the task bar. The Canon IJ Status Monitor appears.

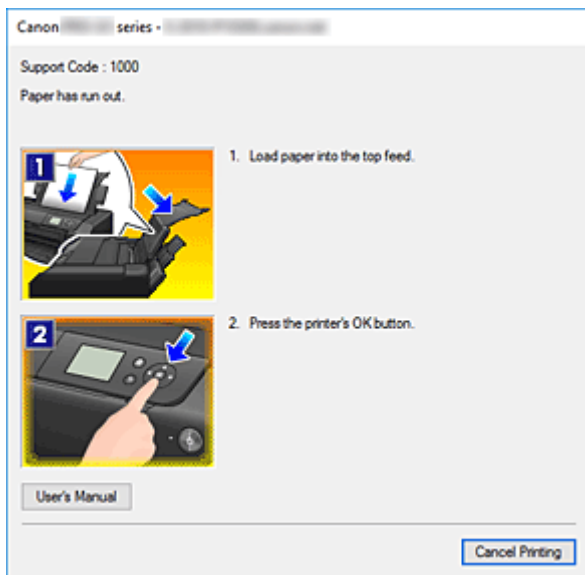


Note

- To open the Canon IJ Status Monitor when the printer is not printing, open the [printer driver setup window](#) and click **View Printer Status** on the **Maintenance** tab.
- The information displayed on the Canon IJ Status Monitor may differ depending on the country or region where you are using your printer.

When Errors Occur

The Canon IJ Status Monitor is automatically displayed if an error occurs (e.g., if the printer runs out of paper or if the ink is low).



In such cases, take the appropriate action as described.

Related Topic

➔ [Canon IJ Status Monitor Description](#)

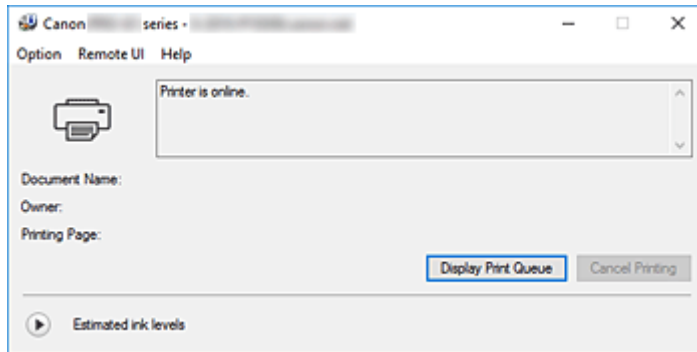
Checking Ink Status from Your Computer

You can check the remaining ink level and the ink tank types for your model.


1. Open the [printer driver setup window](#)
2. Launching the Canon IJ Status Monitor

On the **Maintenance** tab, click **View Printer Status**.

The Canon IJ Status Monitor opens.



3. Display **Estimated ink levels**

For **Estimated ink levels**, click  (the disclosure triangle) to display an image representation of the ink status.

▶▶▶ Note

- The information displayed on the Canon IJ Status Monitor may differ depending on the country or region where you are using your printer.
- When you print on A3 paper or larger paper sizes, the ink may run out before printing is finished or the printing may become faint or streaky (with white lines).

Instructions for Use (Printer Driver)

This printer driver is subject to the following restrictions. Keep the following points in mind when using the printer driver.

Restrictions on the Printer Driver

- Depending on the document type to be printed, the paper feed method specified in the printer driver may not operate correctly.
If this happens, open the [printer driver setup window](#) from the **Print** dialog box of the application software, and check the setting in the **Paper Source** field on the **Main** tab.
- With some applications, the **Copies** setting in the **Page Setup** tab of the printer driver may not be enabled.
In this case, use the copies setting in the **Print** dialog box of the application software.
- If the selected **Language** in the **About** dialog box of the **Maintenance** tab does not match the operating system interface language, the printer driver setup window may not be displayed properly.
- Do not change the **Advanced** tab items of the printer properties. If you change any of the items, you will not be able to use the following functions correctly.
Also, if **Print to file** is selected in the **Print** dialog box of the application software and with applications that prohibit EMF spooling, such as Adobe Photoshop LE and MS Photo Editor, the following functions will not operate.
 - **Preview before printing** on the **Main** tab
 - **Prevention of Print Data Loss** in the **Print Options** dialog box on the **Page Setup** tab
 - **Page Layout, Tiling/Poster, Booklet, Duplex Printing (Manual), Specify Margin..., Print from Last Page, Collate, and Stamp/Background...** on the **Page Setup** tab
- Since the resolution in the preview display differs from the printing resolution, text and lines in the preview display may appear different from the actual print result.
- With some applications, the printing is divided into multiple print jobs.
To cancel printing, delete all divided print jobs.
- If image data is not printed correctly, display the **Print Options** dialog box from the **Page Setup** tab and change the setting of **Disable ICM required from the application software**. This may solve the problem.

Points to Note About Applications with Restrictions

- There are following restrictions in Microsoft Word (Microsoft Corporation).
 - When Microsoft Word has the same printing functions as the printer driver, use Word to specify them.
 - When **Fit-to-Page, Scaled, or Page Layout** is used for **Page Layout** on the **Page Setup** tab of the printer driver, the document may not print normally in certain versions of Word.
 - When **Page Size** in Word is set to "XXX Enlarge/Reduce", the document may not print normally in certain versions of Word.
If this happens, follow the procedure below.
 1. Open Word's **Print** dialog box.
 2. Open the [printer driver setup window](#), and on the **Page Setup** tab, set **Page Size** to the same paper size that you specified in Word.

3. Set the **Page Layout** that you want, and then click **OK** to close the window.
 4. Without starting printing, close the **Print** dialog box.
 5. Open Word's **Print** dialog box again.
 6. Open the printer driver setup window and click **OK**.
 7. Start printing.
- If bitmap printing is enabled in Adobe Illustrator (Adobe Systems Incorporated), printing may take time or some data may not be printed. Print after unchecking the **Bitmap Printing** check box in the **Print** dialog box.

Canon IJ Preview

The Canon IJ Preview is an application software that displays what the print result will look like before a document is actually printed.

The preview reflects the information that is set within the printer driver and allows you to check the document layout, print order, and number of pages. You can also change the media type and paper source settings.

When you want to display a preview before printing, open the [printer driver setup window](#), click the **Main** tab, and check the **Preview before printing** check box.

When you do not want to display a preview before printing, uncheck the check box.

Related Topic

➔ [Displaying the Print Results before Printing](#)

Deleting the Undesired Print Job

If the printer does not start printing, canceled or failed print job data may be remaining. Delete the undesired print job by using the Canon IJ Status Monitor.

1. Display the [Canon IJ Status Monitor](#)

Click the icon of the Canon IJ Status Monitor displayed on the task bar.
The Canon IJ Status Monitor appears.

2. Display the print jobs

Click **Display Print Queue**.
The print queue window opens.

3. Delete the print jobs

Select the print jobs you want to delete, and select **Cancel** from the **Document** menu.
When the confirmation message appears, click **Yes**.

The deletion of the print job is complete.

Important

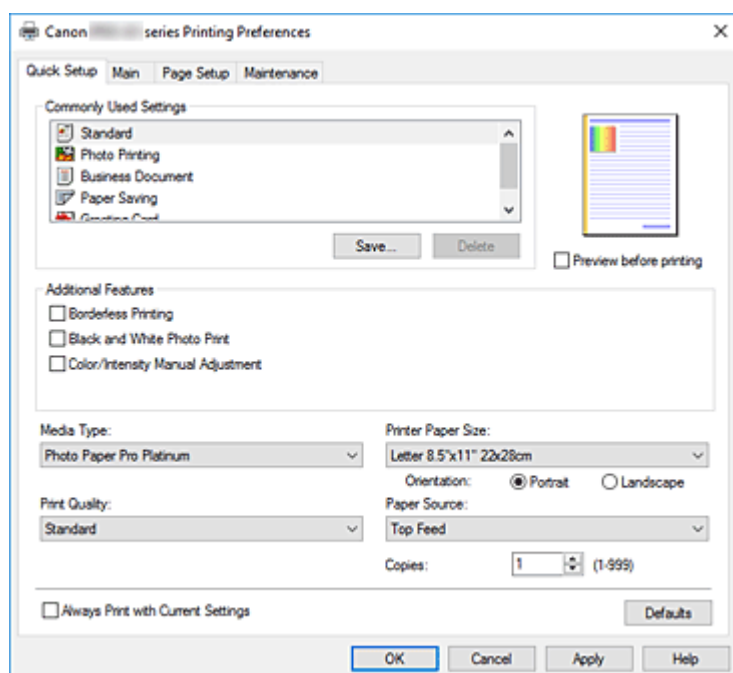
- Users who have not been granted access permission for printer management cannot delete the print job of another user.

Printer Driver Description

- ▶ **Quick Setup Tab Description**
- ▶ **Main Tab Description**
- ▶ **Page Setup Tab Description**
- ▶ **Maintenance Tab Description**
- ▶ **Canon IJ Status Monitor Description**
- ▶ **Canon IJ Preview Description**

Quick Setup Tab Description

The **Quick Setup** tab is for registering commonly used print settings. When you select a registered setting, the printer automatically switches to the preset items.



Commonly Used Settings

The names and icons of frequently used printing profiles are registered. When you select a printing profile according to the purpose of the document, settings that match the purpose are applied.

In addition, functions that are thought to be useful for the selected printing profile are displayed in

Additional Features.

You can also change a printing profile and register it under a new name. You can delete the registered printing profile.

You can rearrange the profiles either by dragging the individual profiles or by holding down the Ctrl key and pressing the up or down arrow keys.

Standard

These are the factory settings.

If **Page Size**, **Orientation**, and **Copies** were set from the application software, those settings have priority.

Photo Printing

If you select this setting when printing a photo, the photo paper and photo size generally used are set. The **Borderless Printing** check box is checked automatically.

If **Orientation** and **Copies** were set from the application software, those settings have priority.

Business Document

Select this setting when printing a general document.

If **Page Size**, **Orientation**, and **Copies** were set from the application software, those settings have priority.

Paper Saving

Select this setting to save paper when printing a general document. The **2-on-1 Printing** and **Duplex Printing (Manual)** check boxes are checked automatically.

If **Page Size**, **Orientation**, and **Copies** were set from the application software, those settings have priority.

Greeting Card

When selected for printing a greeting card, the **Media Type** is automatically set to **Inkjet Greeting Card**. The **Print Quality** is also set to **Highest**, and a check-mark is added to **Borderless Printing**.

Save...

Displays the [Save Commonly Used Settings dialog box](#).

Click this button when you want to save the information that you set on the **Quick Setup**, **Main**, and **Page Setup** tabs to **Commonly Used Settings**.

Delete

Deletes a registered printing profile.

Select the name of the setting to be deleted from **Commonly Used Settings**, and click **Delete**. When a confirmation message is displayed, click **OK** to delete the specified printing profile.

▶▶▶ Note

- Printing profiles that are registered in the initial settings cannot be deleted.

Settings Preview

The paper illustration shows how the original will be laid out on a sheet of paper.

You can check an overall image of the layout.

Preview before printing

Shows what the print result will look like before you actually print the data.

Check this check box to display a preview before printing.

Uncheck this check box if you do not want to display a preview.

Additional Features

Displays the frequently used, convenient functions for the printing profile that you selected for **Commonly Used Settings** on the **Quick Setup** tab.

When you move the mouse pointer near a function that can be changed, a description of that function is displayed.

To enable a function, check the corresponding check box.

For some functions, you can set detailed settings from the **Main** and **Page Setup** tabs.

▶▶▶ Important

- Depending on the printing profiles, certain function may be grayed out and you will not be able to change them.

2-on-1 Printing

Prints two pages of the document, side by side, on one sheet of paper.

To change the page sequence, click the **Page Setup** tab, select **Page Layout** for **Page Layout**, and click **Specify....** Then in the [Page Layout Printing dialog box](#) that appears, specify the **Page Order**.

4-on-1 Printing

Prints four pages of the document, side by side, on one sheet of paper.

To change the page sequence, click the **Page Setup** tab, select **Page Layout** for **Page Layout**, and click **Specify....** Then in the [Page Layout Printing dialog box](#) that appears, specify the **Page Order**.

Duplex Printing (Manual)

Select whether to print the document to both sides of the paper manually or to one side of the paper.

To change the staple side or the margins, set the new values from the **Page Setup** tab.

Borderless Printing

Performs borderless printing without any margins on the paper.

With the borderless printing function, the document to be printed is enlarged, so that it extends slightly off the paper. In other words, the document is printed without any margin.

To adjust the amount that the document extends beyond the paper, click the **Page Setup** tab, choose **Borderless**, and enter the value in **Amount of Extension**.

Print from Last Page

Check this check box when you want to start printing from the last page. This eliminates the hassle of rearranging the page sequence after the pages are printed.

To start printing from the first page, uncheck this check box.

Black and White Photo Print

This function converts the data to monochrome data when printing your document.

Color/Intensity Manual Adjustment

Select when you set the **Color Correction** method and individual settings such as **Cyan, Magenta, Yellow, Tone, Brightness, Contrast**, etc.

You can also specify Clear Coating settings.

Media Type

Selects a type of printing paper.

Select a media type that matches the paper that is loaded in the printer. This ensures that printing is carried out properly for the specified paper.

Printer Paper Size

Selects the size of paper actually loaded into the printer.

Normally, the paper size is set automatically according to the output paper size setting, and the document is printed with no scaling.

When you set **2-on-1 Printing** or **4-on-1 Printing** in **Additional Features**, you can manually set the paper size with **Page Size** on the **Page Setup** tab.

If you select a paper size that is smaller than the **Page Size**, the document size will be reduced. If you select a paper size that is larger, the document size will be enlarged.

Also if you select **Custom...**, the [Custom Paper Size dialog box](#) opens and allows you to specify any vertical and horizontal dimensions for the paper size.

Orientation

Selects the printing orientation.

If the application used to create your document has a similar function, select the same orientation that you selected in that application.

Portrait

Prints the document so that its top and bottom positions are unchanged relative to the paper feed direction. This is the default setting.

Landscape

Prints the document by rotating it 90 degrees relative to the paper feed direction.

You can change the rotation direction by going to the [Canon IJ Printer Assistant Tool](#), opening the

Custom Settings dialog box, and then using **Rotate 90 degrees left when orientation is [Landscape]** check box.

To rotate the document 90 degrees to the left when printing, select the **Rotate 90 degrees left when orientation is [Landscape]** check box.

Print Quality

Selects your desired printing quality.

Select one of the following to set the print quality level that is appropriate for the purpose.

To set the print quality level individually, click the **Main** tab, and for **Print Quality**, select **Custom**. The **Set...** becomes enabled. Click **Set...** to open the [Custom dialog box](#), and then specify the desired settings.

Highest

Prints with quality as the highest priority.

Standard

Prints with average speed and quality.

Fast

Gives priority to printing speed over print quality.

Paper Source

Select the source from which paper is supplied.

Manual Feed

Paper is supplied from the manual feed tray in the back.

Top Feed

Paper is always supplied from the top feed.

»» Important

- Depending on the media type and size, the **Paper Source** settings that can be selected may differ.

Copies

Specifies the number of copies you want to print. You can specify a value from 1 to 999.

»» Important

- When the application software that you used to create the document has the same function, specify the settings on the printer driver. However, if the print results are not acceptable, specify the function settings on the application software.

Always Print with Current Settings

Prints documents with the current settings starting from the next print execution.

When you select this function and then close the [printer driver setup window](#), the information that you set on the **Quick Setup**, **Main**, and **Page Setup** tabs are saved and printing with the same settings is possible starting from the next print execution.

»» Important

- If you log on with a different user name, the settings that were set when this function was enabled are not reflected in the print settings.
- If a setting was specified on the application software, it has priority.

Defaults

Restores all the settings you have changed to their default values.

Click this button to return all settings on the **Quick Setup**, **Main**, and **Page Setup** tabs to their default values (factory settings).

Save Commonly Used Settings dialog box

This dialog box allows you to save the information that you set on the **Quick Setup**, **Main**, and **Page Setup** tabs and add the information to the **Commonly Used Settings** list on the **Quick Setup** tab.

Name

Enter the name for the printing profile you wish to save.

Up to 255 characters can be entered.

The name appears, with its associated icon, in the **Commonly Used Settings** list on the **Quick Setup** tab.

Options...

Opens the [Save Commonly Used Settings dialog box](#).

Changes the details of printing profile to be saved.

Save Commonly Used Settings dialog box

Select the icons of the printing profiles to be registered to **Commonly Used Settings**, and change the items to be saved in the printing profiles.

Icon

Select the icon for the printing profile you wish to save.

The selected icon appears, with its name, in the **Commonly Used Settings** list on the **Quick Setup** tab.

Save the paper size setting

Saves the paper size to the printing profile in **Commonly Used Settings**.

To apply the saved paper size when the printing profile is selected, check this check box.

If this check box is unchecked, the paper size is not saved, and consequently the paper size setting is not applied when the printing profile is selected. Instead the printer prints with the paper size specified with the application software.

Save the orientation setting

Saves the **Orientation** to the printing profile in **Commonly Used Settings**.

To apply the saved print orientation when the printing profile is selected, check this check box.

If this check box is unchecked, the print orientation is not saved, and consequently the **Orientation** setting is not applied when the printing profile is selected. Instead the printer prints with the print orientation specified with the application software.

Save the copies setting

Saves the **Copies** setting to the printing profile in **Commonly Used Settings**.

To apply the saved copies setting when the printing profile is selected, check this check box.

If this check box is unchecked, the copies setting is not saved, and consequently the **Copies** setting is not applied when the printing profile is selected. Instead the printer prints with the copies setting specified with the application software.

Custom Paper Size dialog box

This dialog box allows you to specify the size (width and height) of the custom paper.

Units

Select the unit for entering a user-defined paper size.

Paper Size

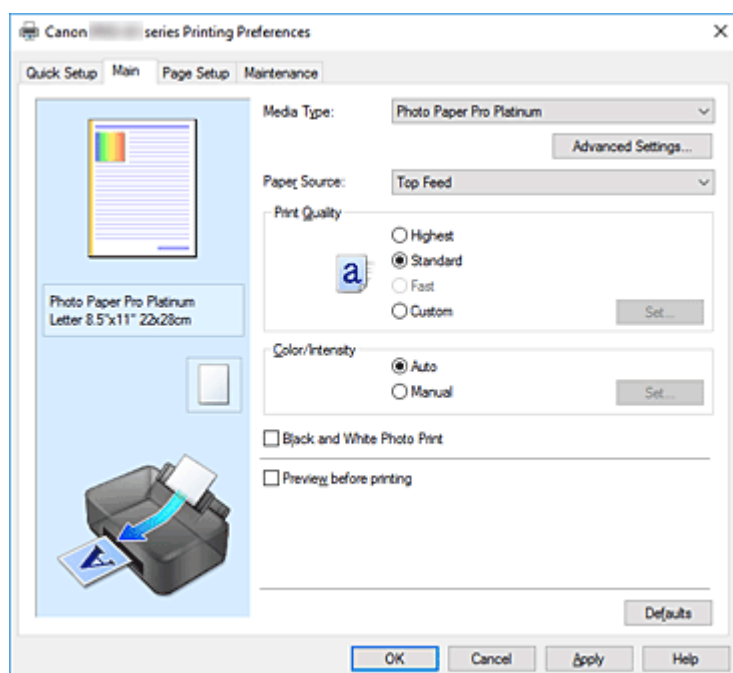
Specifies the **Width** and the **Height** of the custom paper. Measurement is shown according to the units specified in **Units**.

Related Topics

- ➔ [Basic Printing Setup](#)
- ➔ [Registering a Frequently Used Printing Profile](#)
- ➔ [Printing on Postcards](#)
- ➔ [Displaying the Print Results before Printing](#)
- ➔ [Duplex Printing](#)
- ➔ [Perform Borderless Printing](#)
- ➔ [Printing a Color Document in Monochrome](#)
- ➔ [Specifying Color Correction](#)
- ➔ [Adjusting Color Balance](#)
- ➔ [Adjusting Brightness](#)
- ➔ [Adjusting Contrast](#)
- ➔ [Setting Paper Dimensions \(Custom Size\)](#)
- ➔ [Setting a Page Size and Orientation](#)
- ➔ [Switching the Paper Source to Match the Purpose](#)
- ➔ [Setting the Number of Copies and Printing Order](#)

Main Tab Description

The **Main** tab allows you to create a basic print setup in accordance with the media type. Unless special printing is required, normal printing can be performed just by setting the items on this tab.



Settings Preview

The paper illustration shows how the original will be laid out on a sheet of paper.

You can check an overall image of the layout.

The printer illustration shows how to load paper to match the printer driver settings.

Check whether the printer is set up correctly by looking at the illustration before you start printing.

Media Type

Selects a type of printing paper.

Select a media type that matches the paper that is loaded in the printer. This ensures that printing is carried out properly for the specified paper.

Advanced Settings...

Open the [Paper Detailed Settings dialog box](#), and specify detailed print settings that match the media type loaded in the printer.

Paper Source

Shows the source from which paper is supplied.

You may be able to switch the paper source with the printer driver.

Manual Feed

Paper is supplied from the manual feed tray in the back.

Top Feed

Paper is always supplied from the top feed.

►►► Important

- Depending on the media type and size, the **Paper Source** settings that can be selected may differ.

Print Quality

Selects your desired printing quality.

Select one of the following to set the print quality level that is appropriate for the purpose.

►► Important

- Depending on the **Media Type** settings, the same print results may be produced even if the **Print Quality** is changed.

Highest

Prints with quality as the highest priority.

Standard

Prints with average speed and quality.

Fast

Gives priority to printing speed over print quality.

Custom

Select this when you want to set the printing quality level individually.

Set...

Select **Custom** for **Print Quality** to enable this button.

Open the [Custom dialog box](#). You can then individually set the print quality level.

Color/Intensity

Selects color adjustment method.

Auto

Cyan, Magenta, Yellow, Brightness, Contrast, and so on are adjusted automatically.

Manual

Select when you set the individual settings such as **Cyan, Magenta, Yellow, Tone, Brightness, Contrast**, etc. and **Color Correction** method.

You can also specify **Clear Coating Area** settings.

Set...

Select **Manual** for **Color/Intensity** to enable this button.

In the **Manual Color Adjustment** dialog box, you can adjust individual color settings such as **Cyan, Magenta, Yellow, Tone, Brightness**, and **Contrast** on the [Color Adjustment tab](#), and select the **Color Correction** method on the [Matching tab](#).

You can also set clear coat settings on the [Clear Coating tab](#).

►► Note

- If you want to use an ICC profile to adjust colors, use the **Manual Color Adjustment** dialog box to set the profile.

Black and White Photo Print

Black and white photo print refers to a function that converts data to monochrome data when printing your document.

Check this check box to print a color document in monochrome.

Preview before printing

Shows what the print result will look like before you actually print the data.

Check this check box to display a preview before printing.

Defaults

Restores all the settings you have changed to their default values.

Clicking this button restores all the settings on the current screen to their default values (factory settings).

Paper Detailed Settings dialog box

Drying Time

Allows you to set how long the printer rests before printing of the next page starts.

If the next page is ejected before the print surface dries completely and the paper becomes stained, set a longer ink drying time.

Print Head Height

Allows you to widen the gap between the print head and the paper to reduce paper abrasion when printing high density pages. To reduce paper abrasion, select **Avoid Paper Abrasion**.

Custom dialog box

Set the quality level, and select the desired print quality.

Quality

You can use the slider bar to adjust the print quality level.

►►► Important

- Certain print quality levels cannot be selected depending on the settings of **Media Type**.

►►► Note

- The **Highest**, **Standard**, or **Fast** print quality modes are linked with the slider bar. Therefore when the slider bar is moved, the corresponding quality and value are displayed on the left. This is the same as when the corresponding radio button is selected for **Print Quality** on the **Main** tab.

Color Adjustment Tab

This tab allows you to adjust the color balance by changing the settings of the **Cyan**, **Magenta**, **Yellow**, **Tone**, **Brightness**, and **Contrast** options.

Preview

Shows the effect of color adjustment.

The color and brightness change when each item is adjusted.

►►► Note

- The graphic is in monochrome when the **Black and White Photo Print** check box is checked.

View Color Pattern

Displays a pattern for checking color changes produced by color adjustment.

If you want to display the preview image with a color pattern, check this check box.

Cyan / Magenta / Yellow

Adjusts the strengths of **Cyan**, **Magenta**, and **Yellow**.

Moving the slider to the right makes a color stronger, and moving the slider to the left makes a color weaker.

You can also directly enter a value linked to the slider. Enter a value in the range from -50 to 50.

This adjustment changes the relative amount of ink of each color used, which alters the total color balance of the document. Use your application if you want to change the total color balance significantly. Use the printer driver only if you want to adjust the color balance slightly.

►► Important

- When **Black and White Photo Print** is checked on the **Main** tab, **Cyan**, **Magenta**, and **Yellow** appear grayed out and are unavailable.

Tone

Set the color tones for black and white photo printing.

You can also select colors for monochrome color tones from the pull-down menu.

Cool Tone

This item adjusts color tones to cool shades of gray (cool black). When you select this item, a value of -30 is entered for **X**, and a value of 0 for **Y**.

Black and White

This item adjusts color tones to neutral shades of gray. When you select this item, a value of 0 is entered for **X**, and a value of 0 for **Y**.

Warm Tone

This item adjusts color tones to warm shades of gray (warm black). When you select this item, a value of 30 is entered for **X**, and a value of 0 for **Y**.

Custom

You can adjust the color tones by using the horizontal and vertical sliders while checking the colors in the center adjustment area.

Adjust the horizontal and vertical sliders by dragging them to the left/right or up/down, respectively.

You can also adjust color tones by clicking or dragging the center adjustment area with the mouse.

You can also directly enter values that are linked to the sliders. When you enter values, set values in the range of -100 to 100 for **X**, and -50 to 50 for **Y**.

►► Note

- **Custom** cannot be selected since it is displayed automatically when the adjustment value is directly entered.

X, Y (Monochromatic adjustment value)

If necessary, you can adjust monochromatic colors manually.

To adjust the color tones, either enter values directly or click the up/down arrows.

You can also adjust the color tones by clicking or dragging the adjustment area with the mouse.

The value is also linked to the horizontal and vertical sliders.

When you enter values, set values in the range of -100 to 100 for **X**, and -50 to 50 for **Y**.

The selected value will be shown in the preview on the left side.

▶▶▶ Important

- This function is not available for certain **Media Type** settings.

Brightness

Adjusts the brightness of your print. You cannot change the levels of pure white and black. However, the brightness of the colors between white and black can be changed. Moving the slider to the right brightens (dilutes) the colors, and moving the slider to the left darkens (intensifies) the colors. You can also directly enter brightness values that are linked to the slider bar. Enter a value in the range from -50 to 50.

Contrast

Adjusts the contrast between light and dark in the image to be printed.

Moving the slider to the right increases the contrast, moving the slider to the left decreases the contrast.

You can also directly enter a value linked to the slider. Enter a value in the range from -50 to 50.

Matching Tab

Allows you to select the method for adjusting colors to match the type of document to be printed.

Color Correction

Allows you to select **Driver Matching**, **ICM**, or **None** to match the purpose of the print operation.

▶▶▶ Important

- When **Black and White Photo Print** is checked on the **Main** tab, **Color Correction** appears grayed out and is unavailable.

Driver Matching

With Canon Digital Photo Color, you can print sRGB data with color tints that most people prefer.

ICM

Adjusts the colors by using an ICC profile when printing.

Specify the input profile, printer profile, and rendering intent to be used.

▶▶▶ Important

- If the application software is set so that ICM is disabled, **ICM** is unavailable for **Color Correction** and the printer may not be able to print the image data properly.

None

Disables color adjustment with the printer driver.

Input Profile

Specifies the input profile to be used when you select **ICM** for **Color Correction**.

Standard

The standard printer profile (sRGB), which supports the color space of ICM, is used. This is the default setting.

Printer Profile

Specifies the printer profile to be used when **ICM** is selected for **Color Correction**.

Normally **Auto** is selected but you can also select a printer profile manually.

Rendering Intent

Specifies the matching method to be used when you select **ICM** for **Color Correction**.

Saturation

This method reproduces images even more vividly than the **Perceptual** method.

Perceptual

This method reproduces images by focusing on colors that most people find desirable. Select this method to print photos.

Relative Colorimetric

When image data is converted to the color space of the printer, this method converts the image data so the color reproduction approximates the shared color regions. Select this method to print image data with colors that are close to the original colors.

The white spots are reproduced as white spots (background color) on the paper.

Absolute Colorimetric

This method uses the white spot definitions in the input and output ICC profiles to convert the image data.

Although the color and color balance of the white spots change, you may not be able to get the desired output results because of the profile combination.

»» Important

- Depending on the media type, you may obtain the same print results even when you change the **Rendering Intent** setting.

Clear Coating Tab

Specify Clear Coating settings.

When you perform clear coating, the printer applies chroma optimizer (CO) ink onto the printing surface and allows you to adjust the glossiness.

Clear Coating Area

Set the clear coating area.

Auto

The printer automatically sets the areas to be clear-coated and whether clear coating is to be performed.

It may be possible to reduce the ink consumption of the chroma optimizer (CO) or to accelerate the print speed.

Overall

The printer clear-coats the entire print area.

If selecting **Auto** produced unsatisfactory clear coating effects, selecting **Overall** may improve the results.

»» Important

- The selection of **Overall** may be disabled depending on the media type and the print quality.

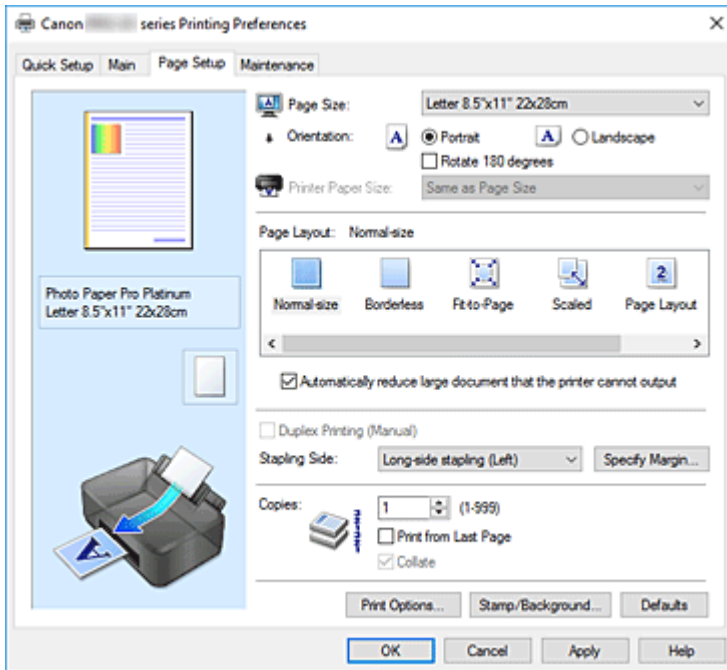
Related Topics

- ➔ [Switching the Paper Source to Match the Purpose](#)
- ➔ [Setting the Print Quality Level \(Custom\)](#)

- ➔ [Adjusting Color Balance](#)
- ➔ [Adjusting Tone](#)
- ➔ [Adjusting Brightness](#)
- ➔ [Adjusting Contrast](#)
- ➔ [Specifying Color Correction](#)
- ➔ [Adjusting Colors with the Printer Driver](#)
- ➔ [Printing with ICC Profiles](#)
- ➔ [Changing the Clear Coating Settings](#)
- ➔ [Printing a Color Document in Monochrome](#)
- ➔ [Displaying the Print Results before Printing](#)

Page Setup Tab Description

The **Page Setup** tab allows you to determine how a document is to be arranged on the paper. Also, this tab allows you to set the number of copies and the order of printing. If the application which created the document has a similar function, set them with the application.



Settings Preview

The paper illustration shows how the original will be laid out on a sheet of paper.

You can check an overall image of the layout.

The printer illustration shows how to load paper to match the printer driver settings.

Check whether the printer is set up correctly by looking at the illustration before you start printing.

Page Size

Selects a page size.

Ensure that you select the same page size as you selected within the application.

If you select **Custom...**, the [Custom Paper Size dialog box](#) opens and allows you to specify any vertical and horizontal dimensions for the paper size.

Orientation

Selects the printing orientation.

If the application used to create your document has a similar function, select the same orientation that you selected in that application.

Portrait

Prints the document so that its top and bottom positions are unchanged relative to the paper feed direction. This is the default setting.

Landscape

Prints the document by rotating it 90 degrees relative to the paper feed direction.

You can change the rotation direction by going to the [Canon IJ Printer Assistant Tool](#), opening the **Custom Settings** dialog box, and then using **Rotate 90 degrees left when orientation is [Landscape]** check box.

To rotate the document 90 degrees to the left when printing, select the **Rotate 90 degrees left when orientation is [Landscape]** check box.

Rotate 180 degrees

Prints the document by rotating it 180 degrees against the paper feed direction.

The width of print area and the amount of extension that are configured in other application software will be reversed vertically and horizontally.

Printer Paper Size

Selects the size of paper actually loaded into the printer.

The default setting is **Same as Page Size** to perform normal-sized printing.

You can select a printer paper size when you select **Fit-to-Page**, **Scaled**, **Page Layout**, **Tiling/Poster**, or **Booklet** for **Page Layout**.

If you select a paper size that is smaller than the **Page Size**, the document size will be reduced. If you select a paper size that is larger, the document size will be enlarged.

Also if you select **Custom...**, the [Custom Paper Size dialog box](#) opens and allows you to specify any vertical and horizontal dimensions for the paper size.

Page Layout

Selects the size of the document you want to print and the type of printing.

Normal-size

This is the normal printing method. Select this when you do not specify any page layout.

Automatically reduce large document that the printer cannot output

If the printer cannot print the paper size of a document, the printer can automatically reduce the size when it prints the document.

Check this check box to reduce the size when printing the document.

Borderless

Chooses whether you are printing on a full page without any page margins or printing with page margins.

In borderless printing, originals are enlarged to extend slightly off the paper. Thus, printing can be performed without any margins (border).

Use **Amount of Extension** to adjust how much of the document extends off the paper during borderless printing.

Amount of Extension

Adjusts how much of the document extends off the paper during borderless printing.

Moving the slider to the right increases the amount of extension and allows you to perform borderless printing with no problems.

Moving the slider to the left reduces the amount of extension and expands the range of the document to print.

Fit-to-Page

This function enables you to automatically enlarge or reduce documents to fit to the paper size loaded in the printer without changing the paper size you specified in your application software.

Scaled

Documents can be enlarged or reduced to be printed.

Specify the size in **Printer Paper Size**, or enter the scaling ratio in the **Scaling** box.

Scaling

Specifies an enlargement or reduction ratio for the document you want to print.

Page Layout

Multiple pages of document can be printed on one sheet of paper.

Specify...

Opens the [Page Layout Printing dialog box](#).

Click this button to set details on page layout printing.

Tiling/Poster

This function enables you to enlarge the image data and divide the enlarged data into several pages to be printed. You can also glue together these sheets of paper to create large printed matter, such as a poster.

Specify...

Opens the [Tiling/Poster Printing dialog box](#).

Click this button to set details on tiling/poster printing.

Booklet

The booklet printing function allows you to print data for a booklet. Data is printed on both sides of the paper. This type of printing ensures that pages can be collated properly, in page number order, when the printed sheets are folded and stapled at the center.

Specify...

Opens the [Booklet Printing dialog box](#).

Click this button to set details on booklet printing.

Duplex Printing (Manual)

Select whether to print the document to both sides of the paper manually or to one side of the paper.

Check this check box to print the document on both sides.

This function can be used only when **Plain Paper** is selected for **Media Type** and one of **Normal-size**, **Fit-to-Page**, **Scaled**, or **Page Layout** is selected.

Stapling Side

Selects the stapling margin position.

The printer analyzes the **Orientation** and **Page Layout** settings, and automatically selects the best stapling margin position. Check **Stapling Side**, and select from the list to change it.

Specify Margin...

Opens the [Specify Margin dialog box](#).

You can specify the width of the margin.

Copies

Specifies the number of copies you want to print. You can specify a value from 1 to 999.

▶▶▶ Important

- If the application used to create your document has a similar function, specify the number of copies with the application without specifying it here.

Print from Last Page

Check this check box when you want to print from the last page in order. If you do this, you do not need to sort the pages into their correct order after printing.

Uncheck this check box to print your document in normal order, starting from the first page.

Collate

Check this check box to group together the pages of each copy when you want to print multiple copies.

Uncheck this check box when you want to print with all pages of the same page number grouped together.

»» Important

- When the application software that you used to create the document has the same function, give priority to the printer driver settings. However, if the print results are not acceptable, specify the function settings on the application software. When you specify the number of copies and the printing order with both the application and this printer driver, the number of copies may be multiplied numbers of the two settings or the specified printing order may not be enabled.

Print Options...

Opens the [Print Options dialog box](#).

Changes detailed printer driver settings for print data that is sent from applications.

Stamp/Background...

Opens the [Stamp/Background dialog box](#).

The **Stamp** function allows you to print a stamp text or a bitmap over or behind document data. It also allows you to print date, time and user name. The **Background** function allows you to print a light illustration behind the document data.

Depending on the environment, **Stamp** and **Background** may not be available.

Custom Paper Size dialog box

This dialog box allows you to specify the size (width and height) of the custom paper.

Units

Select the unit for entering a user-defined paper size.

Paper Size

Specifies the **Width** and the **Height** of the custom paper. Measurement is shown according to the units specified in **Units**.

Page Layout Printing dialog box

This dialog box allows you to select the number of document pages to be placed on one sheet of paper, the page order, and whether a page border line is to be printed around each document page.

The settings specified in this dialog box can be confirmed in the settings preview on the printer driver.

Preview Icon

Shows the settings made on the **Page Layout Printing** dialog box.

You can check what the print result will look like before you actually print the data.

Page Layout

Specifies the number of document pages to fit on one sheet.

Page Order

Specifies the document orientation to be printed on a sheet of paper.

Page Border

Prints a page border line around each document page.

Check this check box to print the page border line.

Tiling/Poster Printing dialog box

This dialog box allows you to select the size of the image to be printed. You can also make settings for cut lines and paste markers which are convenient for pasting together the pages into a poster.

The settings specified in this dialog box can be confirmed in the settings preview on the printer driver.

Preview Icon

Shows the settings of the **Tiling/Poster Printing** dialog box.

You can check what the print result will look like.

Image Divisions

Select the number of divisions (vertical x horizontal).

As the number of divisions increases, the number of sheets used for printing increases. If you are pasting pages together to create a poster, increasing the number of divisions allows you to create a larger poster.

Print "Cut/Paste" in margins

Specifies whether to print the words "Cut" and "Paste" in the margins. These words serve as guidelines for pasting together the pages into a poster.

Check this check box to print the words.

▶▶▶ Note

- Depending on the environment of the printer driver you are using, this function may not be available.

Print "Cut/Paste" lines in margins

Specifies whether to print cut lines that serve as guidelines for pasting together the pages into a poster.

Check this check box to print the cut lines.

Print page range

Specifies the printing range. Select **All** under normal circumstances.

Select **Pages** to specify a specific page or range.

▶▶▶ Note

- If some of the pages have not been printed well, specify the pages that do not need to be printed by clicking them in the settings preview of the **Page Setup** tab. Only the pages shown on the screen will be printed this time.

Booklet Printing dialog box

This dialog box allows you to set how to bind the document as a booklet. Printing only on one side and printing a page border, can also be set in this dialog box.

The settings specified in this dialog box can be confirmed in the settings preview on the printer driver.

Preview Icon

Shows the settings made on the **Booklet Printing** dialog box.

You can check what the document will look like when printed as a booklet.

Margin for stapling

Specifies which side of the booklet is to be stapled.

Insert blank page

Selects whether to print the document on one side or both sides of the booklet.

Check this check box to print the document on one side of the booklet and select the side to be left blank from the list.

Margin

Specifies the width of the stapling margin.

The specified width becomes the stapling margin from the center of the sheet.

Page Border

Prints a page border line around each document page.

Check this check box to print the page border line.

Specify Margin dialog box

This dialog box allows you to specify the margin width for the side to be stapled. If a document does not fit on one page, the document is reduced when printed.

Margin

Specifies the width of the stapling margin.

The width of the side specified by **Stapling Side** becomes the stapling margin.

Print Options dialog box

Makes changes to print data that is sent to the printer.

Depending on the environment, this function may not be available.

Disable ICM required from the application software

Disables the ICM function required from the application software.

When an application software uses Windows ICM to print data, unexpected colors may be produced or the printing speed may decrease. If these problems occur, checking this check box may resolve the problems.

►►► Important

- Uncheck this check box under normal circumstances.
- This function does not work when **ICM** is selected for **Color Correction** on the **Matching** tab of the **Manual Color Adjustment** dialog box.

Disable the color profile setting of the application software

Checking this check box disables information in the color profile that was set on the application software.

When the information in the color profile set on the application software is output to the printer driver, the print result may contain unexpected colors. If this happens, checking this check box may resolve the problem.

►►► Important

- Uncheck this check box under normal circumstances.
- Even when this check box is checked, only some of the information in the color profile is disabled, and the color profile can still be used for printing.

Disable the paper source setting of the application software

Disables the paper feed method that is set by the application.

With some applications such as Microsoft Word, the data may be printed with a feed method that differs from the printer driver setting. In this case, check this function.

▶▶▶ Important

- When this function is enabled, normally the paper feeding method cannot be changed from the Canon IJ Preview.

Ungroup Papers

Sets the display method of **Media Type**, **Page Size**, and **Printer Paper Size**.

To display the items separately, select the check box.

To display the items as a group, clear the check box.

Do not allow application software to compress print data

Compression of the application software print data is prohibited.

If the print result has missing image data or unintended colors, selecting this check box may improve the condition.

▶▶▶ Important

- Uncheck this check box under normal circumstances.

Print after creating print data by page

The print data is created in page units, and printing starts after the processing of one page of print data is complete.

If a printed document contains unintended results such as streaks, selecting this check box may improve the results.

▶▶▶ Important

- Uncheck this check box under normal circumstances.

Cancel the safety margin regulation for paper size

Cancels the safety margin regulation when you set **Media Type** to **Matte Photo Paper**, **Premium Fine Art Smooth**, **Premium Fine Art Rough** or **Photo Paper Pro Premium Matte A** on the **Main** tab.

When you check this item, the safety margin regulation is canceled, printing in a wider print area and borderless full-page printing become possible, and printing can be performed for all paper sizes.

When the safety margin regulation is canceled, the paper may become smudged or the print quality may drop depending on the paper size used and the environment.

If that happens, we recommend that you print on a paper size that has large margins.

Prevention of Print Data Loss

You can reduce the size of the print data that was created with the application software and then print the data.

Depending on the application software being used, the image data may be cut off or may not be printed properly. In such cases, select **On (Weak)** or **On (Strong)**.

Off

The printer prints data without using this function.

On (Weak)

The printer uses this function to print data only when the data quality is acceptable.

On (Strong)

The printer always uses this function to print data.

»» Important

- When using this function, the print quality may drop depending on the print data.

Unit of Print Data Processing

Selects the processing unit of the print data to be sent to the printer.

Select **Recommended** under normal circumstances.

»» Important

- A large amount of memory may be used for certain settings.
Do not change the setting if your computer has a small amount of memory.

Stamp/Background dialog box

The **Stamp/Background** dialog box allows you to print a stamp and/or background over or behind the document pages. In addition to the pre-registered ones, you can register and use your original stamp or background.

Stamp

Stamp printing is a function that prints a stamp over a document.

Check this check box and select a title from the list to print a stamp.

Define Stamp...

Opens the [Stamp Settings dialog box](#).

You can check the details of a selected stamp or save a new stamp.

Place stamp over text

Sets how the stamp is to be printed over the document.

Check the **Stamp** check box to enable this.

Check this check box to print a stamp over the printed document page. The printed data may be hidden behind the stamp.

Uncheck this check box to print the document data over the stamp. The printed data will not be hidden behind the stamp. However, the sections of the stamp that are overlapped by the document may be hidden.

Stamp first page only

Selects whether the stamp is to be printed on the first page only or on all pages when the document has two or more pages.

Check the **Stamp** check box to enable this.

Check this check box to print a stamp on the first page only.

Background

Background printing is a function that allows you to print an illustration or a similar object (bitmap) behind the document.

Check this check box to print a background and select a title from the list.

Select Background...

Opens the [Background Settings dialog box](#).

You can register a bitmap as a background, and change layout method and intensity of the selected background.

Background first page only

Selects whether to print the background on the first page only or print on all pages when the document has two or more pages.

Check the **Background** check box to enable this.

Check this check box to print a background on the first page only.

Stamp Tab

The Stamp tab allows you to set the text and bitmap file (.bmp) to be used for a stamp.

Preview Window

Shows the status of the stamp configured in each tab.

Stamp Type

Specifies the stamp type.

Select **Text** to create a stamp with characters. Select **Bitmap** to create with a bitmap file. Select **Date/Time/User Name** to display the creation date/time and user name of the printed document.

The setting items in the **Stamp** tab change depending on the selected type.

When Stamp Type is Text or Date/Time/User Name

Stamp Text

Specifies the stamp text string.

Up to 64 characters can be entered.

For **Date/Time/User Name**, the creation date/time and user name of the printed object are displayed in **Stamp Text**.

»» Important

- **Stamp Text** appears grayed out and is unavailable if **Date/Time/User Name** is selected.

TrueType Font

Selects the font for the stamp text string.

Style

Selects the font style for the stamp text string.

Size

Selects the font size for the stamp text string.

Outline

Selects a frame that encloses the stamp text string.

If a large font size is selected for **Size**, characters may extend outside of the stamp border.

Color/Select Color...

Shows the current color for the stamp.

To select a different color, click **Select Color...** to open the **Color** dialog box, and select or create a color you wish to use as a stamp.

When Stamp Type is Bitmap

File

Specifies the name of the bitmap file to be used as the stamp.

Select File...

Opens the dialog box to open a file.

Click this button to select a bitmap file to be used as a stamp.

Size

Adjusts the size of the bitmap file to be used as a stamp.

Moving the slider to the right increases the size, moving the slider to the left decreases the size.

Transparent white area

Specifies whether to make white-filled areas of the bitmap transparent.

Check this check box to make white-filled areas of the bitmap transparent.

►►► Note

- Click **Defaults** to set **Stamp Type** to text, **Stamp Text** to blank, **TrueType Font** to Arial, **Style** to Regular, **Size** to 36 points, **Outline** unchecked, and **Color** to gray with the RGB values (192, 192, 192).

Placement Tab

The Placement tab allows you to set the position where the stamp is to be printed.

Preview Window

Shows the status of the stamp configured in each tab.

Position

Specifies the stamp position on the page.

Selecting **Custom** from the list allows you to enter values for the **X-Position** and **Y-Position** coordinates directly.

Rotation

Specifies the angle of rotation for the stamp. The angle can be set by entering the number of degrees.

Negative values rotate the stamp clockwise.

►►► Note

- **Rotation** is enabled only when **Text** or **Date/Time/User Name** is selected for **Stamp Type** on the **Stamp** tab.

►►► Note

- Click **Defaults** to set the stamp position to **Center** and the rotation to 0.

Save settings Tab

The **Save settings** tab allows you to register a new stamp or delete an unnecessary stamp.

Title

Enter the title to save the stamp you created.

Up to 64 characters can be entered.

►►► Note

- Spaces, tabs, and returns cannot be entered at the beginning or end of a title.

Stamps

Shows a list of saved stamp titles.

Specify a title to display the corresponding stamp in **Title**.

Save/Save overwrite

Saves the stamp.

Enter a title in **Title**, and then click this button.

Delete

Deletes an unnecessary stamp.

Specify the title of an unnecessary stamp from the **Stamps** list, and click this button.

Background Tab

The **Background** tab allows you to select a bitmap file (.bmp) to be used as a background or determine how to print the selected background.

Preview Window

Shows the status of the bitmap set on the **Background** tab.

File

Specifies the name of the bitmap file to be used as the background.

Select File...

Opens the dialog box to open a file.

Click this button to select a bitmap file (.bmp) to be used as the background.

Layout Method

Specifies how the background image is to be placed on the paper.

When **Custom** is selected, you can set coordinates for **X-Position** and **Y-Position**.

Intensity

Adjusts the intensity of the bitmap to be used as a background.

Moving the slider to the right increases the intensity, and moving the slider to the left decreases the intensity. To print the background at the original bitmap intensity, move the slider to the rightmost position.

»» Note

- Depending on the environment, this function may not be available.
- Click **Defaults** to set **File** to blank, **Layout Method** to **Fill page**, and the **Intensity** slider to the middle.

Save settings Tab

The **Save settings** tab allows you to register a new background or delete an unnecessary background.

Title

Enter the title to save the background image you specified.

Up to 64 characters can be entered.

»» Note

- Spaces, tabs, and returns cannot be entered at the beginning or end of a title.

Backgrounds

Shows a list of registered background titles.

Specify a title to display the corresponding background in **Title**.

Save/Save overwrite

Saves the image data as a background.
After inserting the **Title**, click this button.

Delete

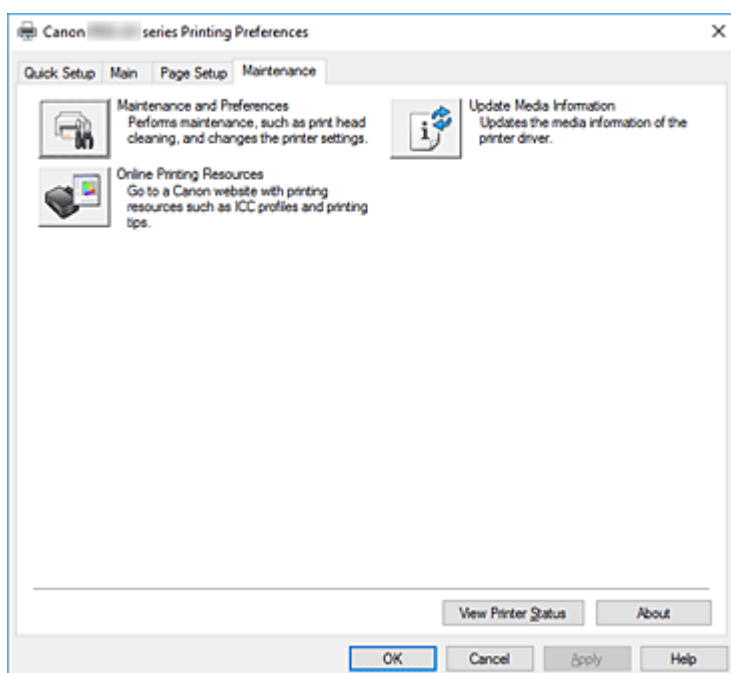
Deletes an unnecessary background.
Specify the title of an unnecessary background from the **Backgrounds** list, and then click this button.

Related Topics

- ➔ [Setting Paper Dimensions \(Custom Size\)](#)
- ➔ [Setting a Page Size and Orientation](#)
- ➔ [Perform Borderless Printing](#)
- ➔ [Fit-to-Page Printing](#)
- ➔ [Scaled Printing](#)
- ➔ [Page Layout Printing](#)
- ➔ [Tiling/Poster Printing](#)
- ➔ [Booklet Printing](#)
- ➔ [Duplex Printing](#)
- ➔ [Setting the Stapling Margin](#)
- ➔ [Setting the Number of Copies and Printing Order](#)
- ➔ [Changing the Print Options](#)
- ➔ [Stamp/Background Printing](#)

Maintenance Tab Description

The **Maintenance** tab allows you to start the [Canon IJ Printer Assistant Tool](#) or check the status of the printer.



Maintenance and Preferences

Canon IJ Printer Assistant Tool is started.

You can perform printer maintenance or change the settings of the printer.



Online Printing Resources

Go to a Canon website with printing resources such as ICC profiles and printing tips.

»»» Important

- To use this function, you must have an Internet connection. Note that you are responsible for any Internet connection fees.



Update Media Information

Gets the latest media information from the printer and updates the media information in the printer driver.

When the media information is updated, the media displayed for **Media Type** on the **Main** tab is updated to the latest information.

When media information on the driver cannot be successfully updated, click [Initial Check Items](#) and check the content that is displayed.

View Printer Status

Starts the Canon IJ Status Monitor.

Perform this function when you want to check the printer status and how a print job is proceeding.

About

Opens the [About dialog box](#).

The version of the printer driver, plus a copyright notice, can be checked.

In addition, the language to be used can be switched.

Initial Check Items (Update Media Information)

Check that the printer is connected to the computer and that printer is turned on.

If you are unable to update media information, check the following points.

- Ensure that a user set with administrator privileges carries out the media information update. Users other than administrators can check if a media information update is required, but cannot carry out the update itself.
- Before updating media information, ensure you have added, edited, or deleted media information on the printer using the Media Configuration Tool.

▶▶▶ Important

- It may take some time to update media information.
- Do not change media information on the printer while you are updating media information on the printer driver.

About dialog box

When you click **About**, the **About** dialog box is displayed.

This dialog box displays the version, copyright, and module list of the printer driver. You can select the language to be used and switch the language displayed in the setup window.

Modules

Lists the printer driver modules.

Language

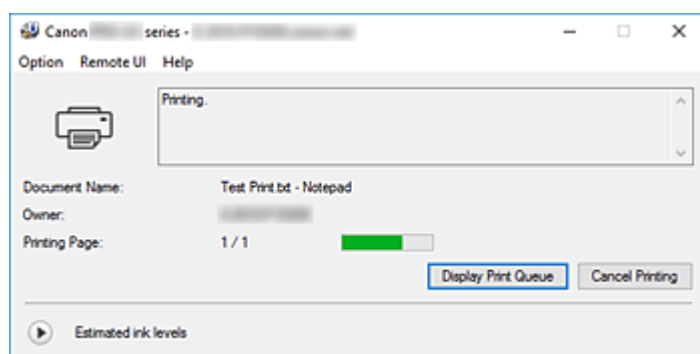
Specifies the language you wish to use in the [printer driver setup window](#).

▶▶▶ Important

- If the font for displaying the language of your choice is not installed in your system, the characters will be garbled.

Canon IJ Status Monitor Description

The Canon IJ Status Monitor displays the printer status and the printing progress. The printer status is shown by the images, icons, and messages in the status monitor.



Features of the Canon IJ Status Monitor

The Canon IJ Status Monitor has the following functions:

Onscreen display of printer status

The status monitor displays the printer status in real-time.

You can check the progress of each document to be printed (print job).

Display of error content and correction procedure

The status monitor displays information on any errors that occur on the printer.

You can then immediately check what sort of action to perform.

Ink status display

Displays the ink status.

Ink tank types and ink levels can be confirmed.

Overview of the Canon IJ Status Monitor

The Canon IJ Status Monitor uses images, icons, and messages to display the printer status and the ink status.

During printing, you can check information about the document being printed and the print progress.

If an error occurs, the status monitor displays the error content and instructions on how to correct the error. Follow the message instructions.

Printer

Canon IJ Status Monitor shows an icon when a warning or error occurs to the printer.



: There is a warning.



: There has been an operator error.



: There is a notice about something other than a warning or an error.



: There has been an error which requires a service.

Document Name

Name of the document being printed.

Owner

Owner's name of the document being printed.

Printing Page

Page number of current page and the total page count.


Display Print Queue

The print queue, which controls the current document and documents waiting to be printed.

Cancel Printing

Cancels printing.

Estimated ink levels

Click  (the disclosure triangle) to display a pictorial representation of the estimated ink level in the ink tank.

Also, if the remaining ink is low or empty, an icon or a message will appear (Ink level warning / Ink empty error).

Move the cursor onto the image to check detailed information such as the remaining ink levels and the names of ink tanks that the printer can use.

Ink Model Number

You can look up the correct ink tank for your printer.

Option Menu

If a printer message appears, select **Enable Status Monitor** to start the Canon IJ Status Monitor.

Select **Enable Status Monitor** to use the following commands:

Always Display Current Job

Displays the Canon IJ Status Monitor whenever a document is being printed.

Always Display on Top

Displays the Canon IJ Status Monitor in front of other windows.

Display Guide Message

Displays guide messages for complicated paper setting operations.

Hagaki Printing

Displays a guide message before the printer begins hagaki printing.

To display this guide message, open the **Option** menu, select **Display Guide Message**, click **Hagaki Printing**, and enable this setting.

To hide the guide message, select the **Do not show this message again** check box.

Display Warning Automatically

When a Low Ink Warning Occurs

Starts the Canon IJ Status Monitor window as a pop-up, and displays it in front of the other windows when a low ink warning occurs.

Start when Windows is Started

Automatically starts the Canon IJ Status Monitor when Windows is started.

Remote UI menu

You are able to open the printer's Remote User Interface.

You are able to check the printer status and run maintenance functions on the printer when connected to and using it through a network.

▶▶▶ Note

- When the printer is being used via USB connection **Remote UI** will not display.

Printer Information

Allows you check detailed information, such as the printer status, the print progress, and remaining ink levels.

Maintenance

Allows you to run printer maintenance and change printer settings.

Download Security Certificate

Displays the **For secure communication** window.

This window allows you to download the route certificate, register it to the browser, and disable warning displays.

Help Menu

Select this menu to display Help information for the Canon IJ Status Monitor including version and copyright information.

Related Topic

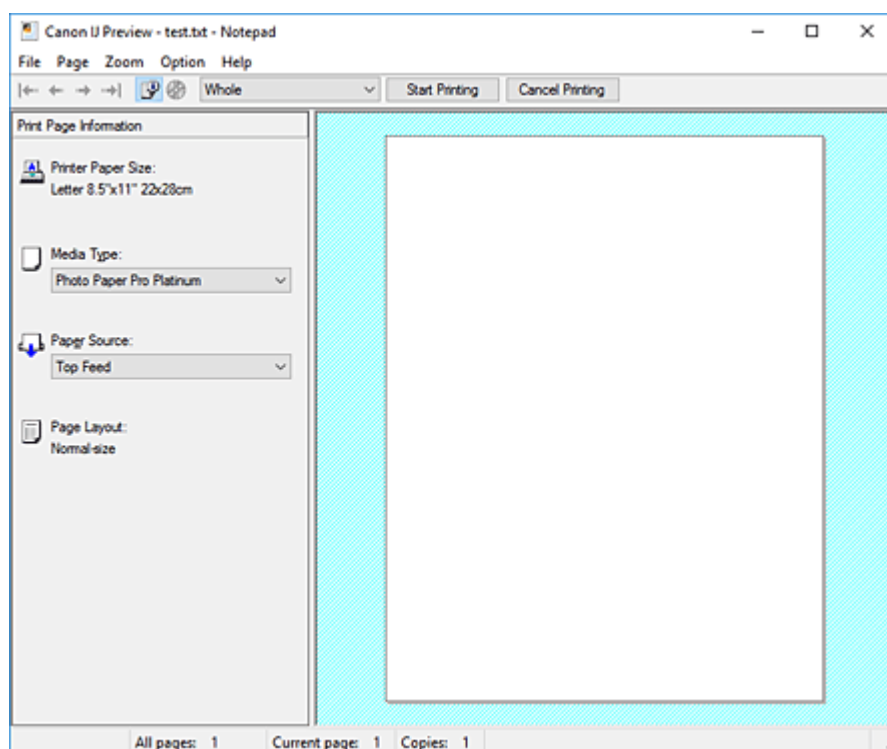
➔ [Canon IJ Status Monitor](#)

Canon IJ Preview Description

Canon IJ Preview is an application software that displays what the print result will look like before a document is actually printed.

The preview reflects the information that is set within the printer driver and allows you to check the document layout, print order, and number of pages. You can also change the media type and paper source settings.

When you want to display a preview before printing, open the [printer driver setup window](#), and check the **Preview before printing** check box on the **Main** tab.



File Menu

Selects the print operation.

Start Printing

Ends the Canon IJ Preview and then starts printing the document that is displayed on the preview screen.

This command has the same function as the **Start Printing** on the toolbar.

Cancel Printing

Ends the Canon IJ Preview and cancels the printing of the document that is displayed on the preview screen.

This command has the same function as the **Cancel Printing** on the toolbar.

Exit

Ends the Canon IJ Preview.

Page Menu

This menu includes the following commands to select page to be displayed.

All of these commands except **Page Selection...** can also be selected from the toolbar.

►► Note

- If the pages are being spooled, the last spooled page becomes the last page.
- If the **Page Layout** setting on the **Page Setup** tab is specified to **Page Layout**, **Tiling/Poster**, or **Booklet**, the number of pages is the number of sheets to be used for printing, and not the number of pages in the original document created with the application software.
- If duplex printing manually has been set, the front pages which will be printed first are all displayed together, and then the back pages are displayed.

First Page

Displays the first page of the document.

If the currently displayed page is the first page, this command is grayed out and cannot be selected.

Previous Page

Displays the page located before the currently displayed page.

If the currently displayed page is the first page, this command is grayed out and cannot be selected.

Next Page

Displays the page located after the currently displayed page.

If the currently displayed page is the last page, this command is grayed out and cannot be selected.

Last Page

Displays the last page of the document.

If the currently displayed page is the last page, this command is grayed out and cannot be selected.

Page Selection...

Displays the **Page Selection** dialog box.

This command allows you to specify the page number of the page to be displayed.

Zoom Menu

Selects the ratio of the actual size printed on the paper to the preview display size.

You can also select the ratio from the drop-down list box located on the toolbar.

Whole

Displays the entire page of data as one page.

50%

Reduces the displayed data to 50% of the actual size to be printed.

100%

Displays the data at the actual size to be printed.

200%

Enlarges the displayed data to 200% of the actual size to be printed.

400%

Enlarges the displayed data to 400% of the actual size to be printed.

Option Menu

This menu includes the following command:

Displays Print Page Information

Displays print setup information (including printer paper size, media type, and page layout) for each page at the left side of the preview screen.

This screen also allows you to change the media type and paper source settings.

Displays the printing area of the disc

Printable disc positions on the tray are displayed when printing disc labels.

You can check what area on the disc the document will be printed.

Help Menu

When you select this menu item, the Help window for Canon IJ Preview is displayed, and you can check the version and copyright information.

Start Printing button

Prints the documents selected in the document list.

The printed documents are deleted from the list, and when all documents are printed, the Canon IJ Preview closes.

Cancel Printing button

Ends the Canon IJ Preview, and cancels the printing of the document that is displayed on the preview screen.

You can click this button while spooling.

Print Page Information Screen

Displays print setup information for each page at the left side of the preview screen.

This screen also allows you to change the media type and paper source settings.

▶▶▶ Important

- If the media type and paper source are set from the application software, those settings have priority and the changed settings may become ineffective.

Printer Paper Size

Displays the paper size of the document to be printed.

Media Type

You can select the media type of the document to be printed.

Paper Source

You can select the paper source of the document to be printed.

Page Layout

Displays the page layout of the document to be printed.

Updating the Printer Driver

- **Installing the Printer Driver**
- **Obtaining the Latest Printer Driver**
- **Deleting the Unnecessary Printer Driver**
- **Before Installing the Printer Driver**

Installing the Printer Driver

You can access our web site through the Internet and download the latest printer driver for your model.

1. Turn off the printer

2. Start the installer

Double-click the icon of the downloaded file.

The installation program starts.

»» Important

- A confirmation/warning dialog box may appear when starting, installing or uninstalling software. This dialog box appears when administrative rights are required to perform a task. When you are logged on to an administrator account, click **Yes** (or **Continue**, **Allow**) to continue. Some applications require an administrator account to continue. In such cases, switch to an administrator account, and restart the operation from the beginning.

3. Install the printer driver

Take the appropriate action as described on the screen.

4. Complete the installation

Click **Complete**.

Depending on the environment you are using, a message prompting you to restart the computer may be displayed. To complete the installation properly, restart the computer.

»» Important

- You can download the printer driver for free, but any Internet access charges incurred are your responsibility.
- Before installing the latest printer driver, [delete the previously installed version](#).

Related Topics

- ➔ [Obtaining the Latest Printer Driver](#)
- ➔ [Deleting the Unnecessary Printer Driver](#)
- ➔ [Before Installing the Printer Driver](#)

Obtaining the Latest Printer Driver

By updating the printer driver to the latest version of the printer driver, unresolved problems may be solved.

You can check the version of the printer driver by clicking the **About** button on the **Maintenance** tab.

You can access our website and download the latest printer driver for your model.

»» Important

- You can download the printer driver for free, but any Internet access charges incurred are your responsibility.
- Before installing the latest printer driver, [delete the previously installed version](#).

Related Topics

- ➔ [Before Installing the Printer Driver](#)
- ➔ [Installing the Printer Driver](#)

Deleting the Unnecessary Printer Driver

The printer driver which you no longer use can be deleted.

When deleting the printer driver, first exit all programs that are running.

1. Start the uninstaller

Select **Control Panel** -> **Programs** -> **Programs and Features**.

From the program list, select "Canon XXX Printer Driver" (where "XXX" is your model name) and then click **Uninstall**.

The confirmation window for uninstalling the model appears.

Important

- A confirmation/warning dialog box may appear when starting, installing or uninstalling software. This dialog box appears when administrative rights are required to perform a task. When you are logged on to an administrator account, click **Yes** (or **Continue**, **Allow**) to continue. Some applications require an administrator account to continue. In such cases, switch to an administrator account, and restart the operation from the beginning.

2. Perform the uninstaller

Click **Start**. When the confirmation message appears, click **Yes**.

When all the files have been deleted, click **Complete**.

The deletion of the printer driver is complete.

Before Installing the Printer Driver

This section describes the items that you should check before installing the printer driver. You should also refer to this section if the printer driver cannot be installed.

Checking the Printer Status

- Turn off the printer.

Checking the Personal Computer Settings

- Terminate all running applications.
- Log on as a user who has the administrator account.

»» Important

- Before installing the latest printer driver, [delete the previously installed version](#).

Related Topics

- ➔ [Obtaining the Latest Printer Driver](#)
- ➔ [Installing the Printer Driver](#)

Printing Using Canon Application Software

- ▶ **Easy-PhotoPrint Editor Guide**
- ▶ **Preview Guide**
- ▶ **Professional Print & Layout Guide**
- ▶ **Digital Photo Printing Guide**
- ▶ **IJ Network Device Setup Utility Guide**
- ▶ **Media Configuration Tool Guide**
- ▶ **PosterArtist Guide**

macOS Software

▶ Printer Driver

- Overview of the Printer Driver
- Description of Print Dialog
- Updating the Printer Driver

▶ **Printing Using Canon Application Software**

- Easy-PhotoPrint Editor Guide
- Preview Guide
- Free Layout Guide
- Professional Print & Layout Guide
- Digital Photo Printing Guide
- IJ Network Device Setup Utility Guide
- Media Configuration Tool Guide

Printing Using Canon Application Software

- ▶ **Easy-PhotoPrint Editor Guide**
- ▶ **Preview Guide**
- ▶ **Free Layout Guide**
- ▶ **Professional Print & Layout Guide**
- ▶ **Digital Photo Printing Guide**
- ▶ **IJ Network Device Setup Utility Guide**
- ▶ **Media Configuration Tool Guide**

Frequently Asked Questions



Network

- ➔ [Cannot Find Printer on Network](#)
- ➔ [Cannot Find Printer while Using Wi-Fi](#)
- ➔ [Network Key \(Password\) Unknown](#)
- ➔ [Cannot Print or Connect](#)

For other questions about network, [click here](#).



Print

- ➔ [Printer Does Not Print](#)
 - ➔ [Printouts Are Blank/Blurry or Fuzzy/Inaccurate or Bleeding Colors/Streaks or Lines](#)
 - ➔ [Printout Results Are Unsatisfactory](#)
 - ➔ [List of Support Code for Error \(Paper Jams\)](#)
 - ➔ [Cannot Print or Connect](#)
-



Installation

- ➔ [Failed to Printer Driver Installation \(Windows\)](#)
-



Error

- ➔ [When Error Occurred](#)
 - ➔ [Message \(Support Code\) Appears](#)
-

Solve Problems

Printer Does Not Work

- ➔ [Printer Does Not Turn On](#)
 - ➔ [Printer Turns Off Unexpectedly or Repeatedly](#)
 - ➔ [Wrong Language Appears in LCD](#)
 - ➔ [LCD Is Off](#)
 - ➔ [USB Connection Problems](#)
 - ➔ [Cannot Communicate with Printer via USB](#)

 - ➔ [Printer Does Not Print](#)
 - ➔ [Printing Stops](#)
 - ➔ [Cannot Print Using AirPrint](#)
 - ➔ [Printer Prints Slowly](#)
 - ➔ [Ink Does Not Come Out](#)
 - ➔ [List of Support Code for Error \(Paper Jams\)](#)
 - ➔ [Printer Does Not Pick up or Feed the Paper/"No Paper" Error](#)
 - ➔ [Cannot Print on the Disc Label](#)
 - ➔ [Paper Does Not Feed from Paper Source Specified in Printer Driver \(Windows\)](#)
 - ➔ [Printout Results Are Unsatisfactory](#)
-

- ➔ [Cannot Print from Smartphone/Tablet](#)

Cannot Set Correctly (Network)

- ➔ [Cannot Find Printer on Check Printer Settings Screen During Setup \(Windows\)](#)
- ➔ [Cannot Find Printer while Using Wi-Fi](#)
- ➔ [Cannot Find Printer while Using Wired LAN](#)

- ➔ [Printer Suddenly Stopped Working for Some Reason](#)
- ➔ [Network Key \(Password\) Unknown](#)
- ➔ [Forgot Administrator Password of Printer](#)
- ➔ [Printer Cannot Be Used After Replacing Wireless Router or Changed Router Settings](#)

- ➔ [Message Appears on Computer During Setup](#)
- ➔ [Checking Network Information](#)
- ➔ [Restoring to Factory Defaults](#)

Cannot Set Correctly (Installation)

- ➔ [Failed to Printer Driver Installation \(Windows\)](#)
- ➔ [Updating Printer Driver in Network Environment \(Windows\)](#)

Error or Message Appears

- ➔ [When Error Occurred](#)
- ➔ [Message \(Support Code\) Appears](#)

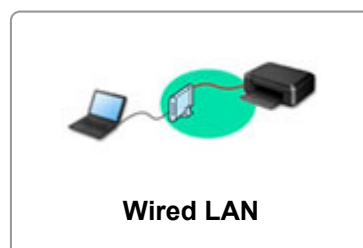
- ➔ [List of Support Code for Error](#)
- ➔ [Error Message Appears on PictBridge \(Wi-Fi\) Compliant Device](#)

Operation Problems

- ➔ [Network Communication Problems](#)
- ➔ [Printing Problems](#)
- ➔ [Problems while Printing from Smartphone/Tablet](#)
- ➔ [Mechanical Problems](#)
- ➔ [Installation and Download Problems](#)
- ➔ [Errors and Messages](#)
- ➔ [If You Cannot Solve a Problem](#)

Network Settings and Common Problems

Here are frequently asked questions on network. Select a connection method you are using, or you want to use.



Wireless LAN

Cannot Find Printer

- ➔ [Cannot Find Printer while Using Wi-Fi](#)
- ➔ [Cannot Find Printer on Check Printer Settings Screen During Setup \(Windows\)](#)
- ➔ [Cannot Proceed beyond Printer Connection Screen](#)
- ➔ [Printer is Not Found by Printer Find Screen of Setup](#)
- ➔ [Searching Printer by IP Address or Host Name During Setup](#)
- ➔ [Error Occurs During Wi-Fi Setup](#)
- ➔ [Detect Same Printer Name](#)
- ➔ [Reconfiguration Method of LAN Connection/Reconfiguration Method of Wi-Fi Connection](#)

Cannot Print or Connect

- ➔ [Printer Suddenly Stopped Working for Some Reason](#)
- ➔ [Printer Cannot Be Used After Replacing Wireless Router or Changed Router Settings](#)
- ➔ [Cannot Access to Internet on Wi-Fi from Communication Device](#)
- ➔ [Connecting Printer and Wireless Router Using Easy wireless connect](#)
- ➔ [Cannot Connect Smartphone/Tablet to Wireless Router](#)
- ➔ [Error Occurs During Wi-Fi Setup](#)
- ➔ [Connects to Another Computer via LAN/Changes from USB to LAN Connection](#)
- ➔ [Cannot Print or Connect](#)

LAN Setting Tips/Changing LAN Settings

- ➔ [Network Key \(Password\) Unknown](#)
- ➔ [Forgot Administrator Password of Printer](#)
- ➔ [Checking Network Information](#)
- ➔ [Restoring to Factory Defaults](#)
- ➔ [Checking Wireless Router SSID/Key](#)
- ➔ [Checking Wireless Router Network Name \(SSID\) for Smartphone/Tablet](#)
- ➔ [Privacy Separator/SSID Separator/Network Separation Function](#)
- ➔ [Default Network Settings](#)
- ➔ [Connects to Another Computer via LAN/Changes from USB to LAN Connection](#)
- ➔ [Printing Network Settings](#)
- ➔ [Reconfiguration Method of LAN Connection/Reconfiguration Method of Wi-Fi Connection](#)
- ➔ [Checking Status Code](#)

Printing from Smartphone/Tablet

- ➔ [Connecting Printer and Wireless Router Using Easy wireless connect](#)
- ➔ [Cannot Connect Smartphone/Tablet to Wireless Router](#)
- ➔ [Checking Wireless Router Network Name \(SSID\) for Smartphone/Tablet](#)
- ➔ [Setting Up Using Smartphone/Tablet](#)
- ➔ [Cannot Print from Smartphone/Tablet](#)
- ➔ [Downloading Canon PRINT Inkjet/SELPHY](#)

Problems while Using Printer

- ➔ [Message Appears on Computer During Setup](#)
- ➔ [Printer Prints Slowly](#)
- ➔ [No Ink Level Appears in Printer Status Monitor \(Windows\)](#)

Wireless Direct

Cannot Print or Connect

- ➔ [Printer Suddenly Stopped Working for Some Reason](#)
- ➔ [Cannot Access to Internet on Wi-Fi from Communication Device](#)
- ➔ [Cannot Print or Connect](#)

LAN Setting Tips/Changing LAN Settings

- ➔ [Network Key \(Password\) Unknown](#)
- ➔ [Forgot Administrator Password of Printer](#)
- ➔ [Checking Network Information](#)
- ➔ [Restoring to Factory Defaults](#)
- ➔ [Default Network Settings](#)
- ➔ [Printing Network Settings](#)
- ➔ [Reconfiguration Method of LAN Connection/Reconfiguration Method of Wi-Fi Connection](#)
- ➔ [Checking Status Code](#)

Printing from Smartphone/Tablet

- ➔ [Cannot Print from Smartphone/Tablet](#)
- ➔ [Downloading Canon PRINT Inkjet/SELPHY](#)

Problems while Using Printer

- ➔ [Message Appears on Computer During Setup](#)
- ➔ [Printer Prints Slowly](#)
- ➔ [No Ink Level Appears in Printer Status Monitor \(Windows\)](#)

Wired LAN

Cannot Find Printer

- ➔ [Printer is Not Found by Printer Find Screen of Setup](#)
- ➔ [Searching Printer by IP Address or Host Name During Setup](#)
- ➔ [Cannot Find Printer while Using Wired LAN](#)
- ➔ [Detect Same Printer Name](#)

Cannot Print or Connect

- ➔ [Printer Suddenly Stopped Working for Some Reason](#)
- ➔ [Cannot Print or Connect](#)

LAN Setting Tips/Changing LAN Settings

- ➔ [Forgot Administrator Password of Printer](#)
- ➔ [Checking Network Information](#)
- ➔ [Restoring to Factory Defaults](#)
- ➔ [Default Network Settings](#)
- ➔ [Connects to Another Computer via LAN/Changes from USB to LAN Connection](#)
- ➔ [Printing Network Settings](#)
- ➔ [Reconfiguration Method of LAN Connection/Reconfiguration Method of Wi-Fi Connection](#)
- ➔ [Checking Status Code](#)

Problems while Using Printer

- ➔ [Message Appears on Computer During Setup](#)
- ➔ [Printer Prints Slowly](#)
- ➔ [No Ink Level Appears in Printer Status Monitor \(Windows\)](#)

Network Communication Problems

- **Cannot Find Printer on Network**
- **Network Connection Problems**
- **Other Network Problems**

Cannot Find Printer on Network

While performing printer setup:

- ▶ **Cannot Find Printer on Check Printer Settings Screen During Setup (Windows)**
- ▶ **Cannot Proceed beyond Printer Connection Screen**
- ▶ **Printer is Not Found by Printer Find Screen of Setup**
- ▶ **Searching Printer by IP Address or Host Name During Setup**

While using printer:

- ▶ **Cannot Find Printer while Using Wi-Fi**
- ▶ **Cannot Find Printer while Using Wired LAN**

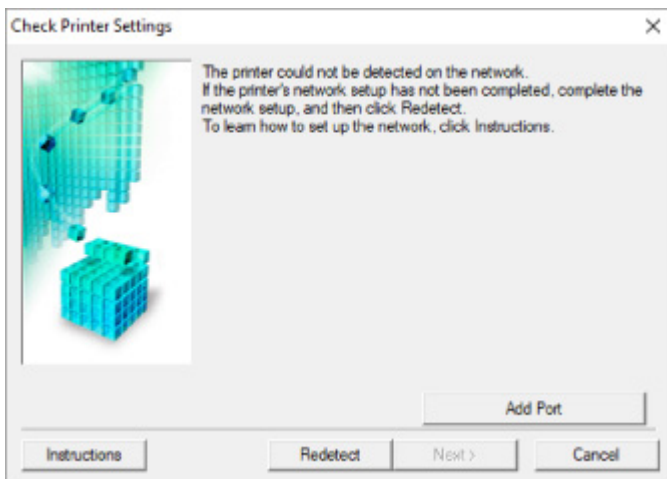
▶▶▶ Note

- You cannot use the wireless LAN and the wired LAN at the same time.

Cannot Find Printer on Check Printer Settings Screen During Setup (Windows)

If the printer cannot be found and the **Check Printer Settings** screen appears after searching the printer by **Automatic search** on the **Search for Printers** screen, click **Redetect** and search for the printer again by the IP address on the **Search for Printers** screen.

If the printer has not been found after searching it by the IP address, check network settings.



- **When using Wi-Fi:**

- ➔ [Checking Power Status](#)
- ➔ [Checking PC Network Connection](#)
- ➔ [Checking Printer's Wi-Fi Settings](#)
- ➔ [Checking Wi-Fi Environment](#)
- ➔ [Checking Printer's IP Address](#)
- ➔ [Checking Security Software Settings](#)
- ➔ [Checking Wireless Router Settings](#)

- **When using wired LAN:**

- ➔ [Checking LAN Cable and Router](#)
- ➔ [Checking PC Network Connection](#)
- ➔ [Checking Printer's Wired LAN Settings](#)
- ➔ [Checking Printer's IP Address](#)
- ➔ [Checking Security Software Settings](#)
- ➔ [Checking Router Settings](#)



Cannot Find Printer on Check Printer Settings Screen During Wi-Fi Setup (Windows)-Checking Power Status



Are printer and network device (router, etc.) turned on?

Make sure the printer is turned on.

➔ [Checking that Power Is On](#)

Make sure network device (router, etc.) is turned on.

If printer or network device is off:

Turn on printer or network device.

It may take a while for the printer and network device to become ready for use once they are turned on.

Wait a while after turning on the printer or network device, and then click **Redetect** on the **Check Printer Settings** screen to redetect the printer.

If the printer is found, follow the instructions on the screen to continue to set up network communication.

If printer and network device are on:

If the network devices are on, turn them off and on again.

If above does not solve the problem:

➔ [Checking PC Network Connection](#)



Cannot Find Printer on Check Printer Settings Screen During Wi-Fi Setup (Windows)-Checking PC Network Connection



Can you view any web pages on your computer?

Make sure the computer and network device (router, etc.) are configured and the computer is connected to the network.

If you cannot view any web pages:

Click **Cancel** on the **Check Printer Settings** screen to cancel to set up the network communication.

After that, configure the computer and network device.

For the procedures, refer to the instruction manuals supplied with the computer and network device, or contact their manufacturers.

If you can view web pages after configuring the computer and network device, try to set up the network communication from the beginning.

If you can view web pages, or if above does not solve the problem:

➔ [Checking Printer's Wi-Fi Settings](#)

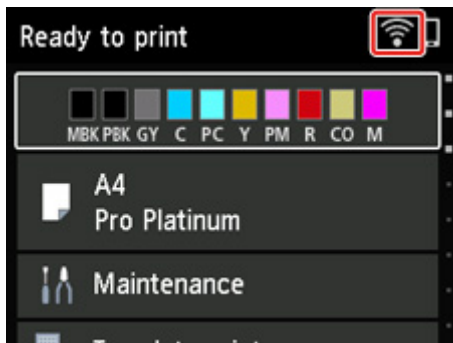


Cannot Find Printer on Check Printer Settings Screen During Wi-Fi Setup (Windows)-Checking Printer's Wi-Fi Settings



Is printer set to allow wireless communication?

Make sure the  or  icon is displayed on the LCD.



If icon is not displayed:

The printer is not set to allow wireless communication. Turn on wireless communication on the printer.

If icon is displayed:

➔ [Checking Wi-Fi Environment](#)

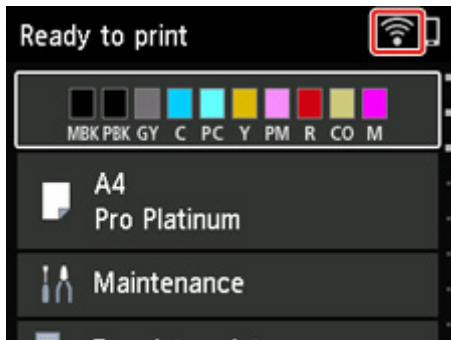


Cannot Find Printer on Check Printer Settings Screen During Wi-Fi Setup (Windows)-Checking Wi-Fi Environment



Is the printer connected to the wireless router?

Use the icon on the LCD to make sure the printer is connected to the wireless router.



If is displayed:

- Check wireless router configuration.

After checking the wireless router setting, make sure the printer is not placed far away from the wireless router.

The printer can be up to 50 m (164 ft) from the wireless router. Make sure the printer is close enough to the wireless router to be used.

Place the printer and wireless router where there are no obstacles between them. Wireless communication between different rooms or floors is generally poor. Wireless communication can be impeded by building materials containing metal or concrete. If the printer cannot communicate with the computer over a Wi-Fi due to a wall, place the printer and the computer in the same room.

In addition, if a device like a microwave oven that emits radio waves of the same frequency bandwidth as a wireless router is nearby, it may cause interference. Place the wireless router as far away from interference sources as possible.

Note

- Though an antenna is attached to most wireless routers, some of them have it inside.

- Check wireless router setting.

The printer and wireless router should be connected using 2.4 GHz or 5 GHz bandwidth. Make sure the wireless router for the printer's destination is configured to use 2.4 GHz or 5 GHz bandwidth.

▶▶▶ Note

- Some wireless routers distinguish network names (SSIDs) by the last alphanumeric character according to their bandwidth (2.4 GHz or 5 GHz) or purpose (for computer or game machine).

To check the network name (SSID) of the wireless router the printer is connected to, display it using the operation panel of the printer or print out the network setting information of the printer.

- Display on the LCD.

➔ [LAN settings](#)

- Print the network settings.

➔ [Printing Network Settings](#)

For details, see the instruction manual supplied with the wireless router or contact the manufacturer.

After taking measures above, click **Redetect** on the **Check Printer Settings** screen to redetect the printer.

If the printer is found, follow the instructions on the screen to continue to set up network communication.

If the printer cannot be detected, the printer is not connected to the wireless router. Connect the printer to the wireless router.

After connecting the printer to the wireless router, set up the network communication from the beginning.

If  is displayed:

➔ [Checking Printer's IP Address](#)



Cannot Find Printer on Check Printer Settings Screen During Wi-Fi Setup (Windows)-Checking Printer's IP Address



Is printer's IP address specified correctly?

If printer's IP address is not specified correctly, the printer may not be found. Make sure whether printer's IP address is not used for another device.

To check the printer's IP address, display it using the operation panel of the printer or print out the network setting information of the printer.

- Display on the LCD.
 - ➔ [LAN settings](#)
- Print the network settings.
 - ➔ [Printing Network Settings](#)

| If the IP address is not specified correctly:

See [If an error screen appears](#): and specify the IP address.

| If the IP address is specified correctly:

- ➔ [Checking Security Software Settings](#)



Cannot Find Printer on Check Printer Settings Screen During Wi-Fi Setup (Windows)-Checking Security Software Settings



Make sure the firewall does not interfere with setup.

The firewall of your security software or operation system for computer may limit communication between the printer and your computer.

- **If a firewall message appears:**

If a firewall message appears warning that Canon software is attempting to access the network, set the security software to allow access.

After allowing the software to access, click **Redetect** on the **Check Printer Settings** screen to redetect the printer.

If the printer is found, follow the instructions on the screen to continue to set up network communication.

- **If no firewall message appears:**

Temporarily disable the firewall and redo the network communication setup.

After the setup is complete, re-enable the firewall.

▶▶ Note

- For more on firewall settings of your operating system or security software, see instruction manual or contact its manufacturer.

If above does not solve the problem:

➔ [Checking Wireless Router Settings](#)



Cannot Find Printer on Check Printer Settings Screen During Wi-Fi Setup (Windows)-Checking Wireless Router Settings



Check wireless router settings.

Check wireless router network connection settings, such as IP address filtering, MAC address filtering, encryption key, and DHCP function.

Make sure the same radio channel is assigned to the printer and the wireless router.

To check the settings of the wireless router, see the instruction manual supplied with the wireless router or contact the manufacturer.

In addition, make sure the wireless router you are using is configured to use 2.4 GHz or 5 GHz bandwidth.

▶▶▶ Note

- Depending on the wireless router, different network name (SSID) is assigned for a bandwidth (2.4 GHz or 5 GHz) or its usage (for PC or game machine) using alphanumeric characters at the end of network name (SSID).

After checking the wireless router settings, click **Redetect** on the **Check Printer Settings** screen to redetect the printer.

If the printer is found, follow the instructions on the screen to continue to set up network communication.



Cannot Find Printer on Check Printer Settings Screen During Wired LAN Setup (Windows)-Checking LAN Cable and Router



Is LAN cable connected, and are printer and router on?

Make sure the LAN cable is connected.

Make sure the printer is turned on.

➔ [Checking that Power Is On](#)

Make sure the router is turned on.

If LAN cable is connected and printer or network device is off:

Turn on printer or network device.

It may take a while for the printer and network device to become ready for use once they are turned on.

Wait a while after turning on the printer or network device, and then click **Redetect** on the **Check Printer Settings** screen to redetect the printer.

If the printer is found, follow the instructions on the screen to continue to set up the network communication.

If LAN cable is connected and printer and network device are on:

If the printer cannot be found after trying to redetect it, even though the printer and the network device are on:

➔ [Checking PC Network Connection](#)



Cannot Find Printer on Check Printer Settings Screen During Wired LAN Setup (Windows)-Checking PC Network Connection



Can you view any web pages on your computer?

Make sure the computer and network device (router, etc.) are configured and the computer is connected to the network.

If you cannot view any web pages:

Click **Cancel** on the **Check Printer Settings** screen to cancel to set up the network communication.

After that, configure the computer and network device.

For the procedures, refer to the instruction manuals supplied with the computer and network device, or contact their manufacturers.

If you can view web pages after configuring the computer and network device, try to set up the network communication from the beginning.

If you can view web pages:

➔ [Checking Printer's Wired LAN Settings](#)



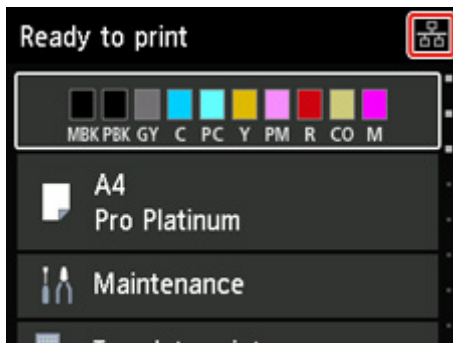
Cannot Find Printer on Check Printer Settings Screen During Wired LAN Setup (Windows)-Checking Printer's Wired LAN Settings



Is printer set to allow wired communication?



Make sure the icon is displayed on the LCD.



If icon is not displayed:

The printer is not set to allow wired communication. Turn on wired communication on the printer. Once you have turned on wired communication, redo the network communication setup from the beginning.

If icon is displayed:

➔ [Checking Printer's IP Address](#)



Cannot Find Printer on Check Printer Settings Screen During Wired LAN Setup (Windows)-Checking Printer's IP Address



Is printer's IP address specified correctly?

If printer's IP address is not specified correctly, the printer may not be found. Make sure whether printer's IP address is not used for another device.

To check the printer's IP address, display it using the operation panel of the printer or print out the network setting information of the printer.

- Display on the LCD.
 - ➔ [LAN settings](#)
- Print the network settings.
 - ➔ [Printing Network Settings](#)

| If the IP address is not specified correctly:

See [If an error screen appears](#): and specify the IP address.

| If the IP address is specified correctly:

- ➔ [Checking Security Software Settings](#)



Cannot Find Printer on Check Printer Settings Screen During Wired LAN Setup (Windows)-Checking Security Software Settings



Make sure the firewall does not interfere with setup.

The firewall of your security software or operation system for computer may limit communication between the printer and your computer.

- **If a firewall message appears:**

If a firewall message appears warning that Canon software is attempting to access the network, set the security software to allow access.

After allowing the software to access, click **Redetect** on the **Check Printer Settings** screen to redetect the printer.

If the printer is found, follow the instructions on the screen to continue to set up network communication.

- **If no firewall message appears:**

Temporarily disable the firewall and redo the network communication setup.

After the setup is complete, re-enable the firewall.

▶▶▶ Note

- For more on firewall settings of your operating system or security software, see instruction manual or contact its manufacturer.

If above does not solve the problem:

- ➔ [Checking Wireless Router Settings](#)



Cannot Find Printer on Check Printer Settings Screen During Wired LAN Setup (Windows)-Checking Router Settings



Check router settings.

Check router network connection settings such as IP address filtering, MAC address filtering, and DHCP function.

For more on checking the settings of the router, refer to the instruction manual supplied with the router or contact its manufacturer.

After checking the router settings, click **Redetect** on the **Check Printer Settings** screen to redetect the printer.

If the printer is found, follow the instructions on the screen to continue to set up network communication.



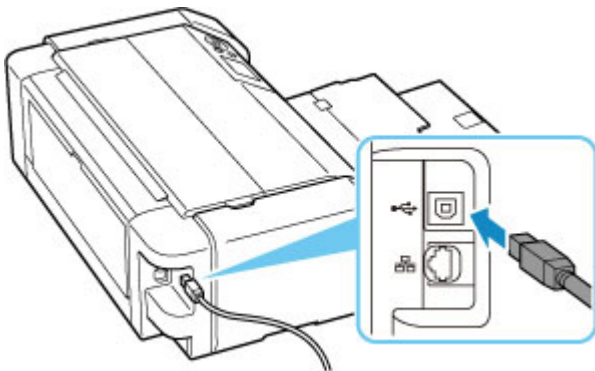
Cannot Proceed beyond Printer Connection Screen



If you cannot proceed beyond the **Printer Connection** screen, check the following.

Check1 Make sure USB cable is securely plugged in to printer and computer.

Connect the printer and the computer using a USB cable as the illustration below. The USB port is located at the back of the printer.




Important

- Check the direction of the "Type-B" connector and connect it to the printer. For details, refer to the instruction manual supplied with the USB cable.

Check2 Follow procedure below to connect printer and computer again.

Important

- For macOS, make sure the lock icon is on the lower left of the **Printers & Scanners** screen.

If the  icon (locked) is displayed, click the icon to unlock. (The administrator name and the password are necessary to unlock.)

1. Unplug USB cable from printer and computer and connect it again.
2. Make sure no printer operation is in progress and turn off.
3. Turn on printer.

Check3 If you cannot resolve problem, follow procedure below to reinstall printer driver.

1. Finish setup
2. Turn off printer.
3. Restart computer.
4. Make sure you have no application software running.

5. [Click here](#) and perform setup.



Cannot Find Printer while Using Wi-Fi




Check1 Make sure printer is turned on.

If not, make sure the printer is securely plugged in and press **ON** button to turn on.

The **ON** lamp flashes while the printer is initializing. Wait until the **ON** lamp stops flashing and remains lit.

Check2 Check the icon on the LCD.

If the  icon is not displayed, select **LAN settings > Wi-Fi > Settings >** in this order, and select **Enable** for **Enable/disable Wi-Fi**.

If the  icon is displayed, see Check 3 or later checking items to make sure whether printer setup is complete or the settings of wireless router to connect are correct.

Check3 Make sure printer setup is complete on the computer.

If it is not, click here and perform setup.

▶▶▶ Note

- IJ Network Device Setup Utility allows you to diagnose and repair the network status.

Select the link below to download IJ Network Device Setup Utility and install it.

- ➔ [Checking Printer Connection Status Using IJ Network Device Setup Utility](#)

See below for starting up IJ Network Device Setup Utility.

- **For Windows:**

- ➔ [Starting Up IJ Network Device Setup Utility](#)

- **For macOS:**

- ➔ [Starting Up IJ Network Device Setup Utility](#)

Check4 Make sure printer and wireless router network settings match.

Make sure the network settings of the printer (e.g. network name (SSID) or network key (password), etc.) are identical with those of the wireless router.

To check the settings of the wireless router, refer to the instruction manual provided with it or contact its manufacturer.

▶▶▶ Note

- Use 2.4 GHz or 5 GHz frequency band to connect to a wireless router. Match the network name (SSID) set for the printer with that for 2.4 GHz or 5 GHz frequency band of the wireless router.

To check the network name (SSID) set for the printer, display it using the operation panel of the printer or print out the network setting information of the printer.

- Display on the LCD.
 - ➔ [LAN settings](#)
- Print the network settings.
 - ➔ [Printing Network Settings](#)

▶▶▶ Note

- IJ Network Device Setup Utility allows you to diagnose and repair the network status.

Select the link below to download IJ Network Device Setup Utility and install it.

- ➔ [Checking Printer Connection Status Using IJ Network Device Setup Utility](#)

See below for starting up IJ Network Device Setup Utility.

- **For Windows:**

- ➔ [Starting Up IJ Network Device Setup Utility](#)

- **For macOS:**

- ➔ [Starting Up IJ Network Device Setup Utility](#)

Check5 Make sure the printer is not placed too far away from the wireless router.

If the distance between the printer and wireless router is too far, wireless communication becomes poor. Place the printer and wireless router close to each other.

▶▶▶ Note

- Though an antenna is attached to most wireless routers, some of them have it inside.

Check6 Make sure wireless signal is strong. Monitor signal strength and move printer and wireless router as necessary.

Place the printer and wireless router where there are no obstacles between them. Wireless communication between different rooms or floors is generally poor. Wireless communication can be impeded by building materials containing metal or concrete. If the printer cannot communicate with the computer over a Wi-Fi due to a wall, place the printer and the computer in the same room.

In addition, if a device like a microwave oven that emits radio waves of the same frequency bandwidth as a wireless router is nearby, it may cause interference. Place the wireless router as far away from interference sources as possible.

Check the signal strength on the LCD.

- ➔ [LCD and Operation Panel](#)

▶▶▶ Note

- IJ Network Device Setup Utility allows you to diagnose and repair the network status.

Select the link below to download IJ Network Device Setup Utility and install it.

- ➔ [Checking Printer Connection Status Using IJ Network Device Setup Utility](#)

See below for starting up IJ Network Device Setup Utility.

- **For Windows:**

- ➔ [Starting Up IJ Network Device Setup Utility](#)

- **For macOS:**

- ➔ Starting Up IJ Network Device Setup Utility

Check7 Make sure the computer is connected to the wireless router.

For more on how to check the computer settings or connection status, see your computer instruction manual or contact its manufacturer.

»» Note

- If you use a smartphone or tablet, make sure the Wi-Fi is enabled on the device.

Check8 Make sure **Enable bidirectional support** is selected in the **Ports** sheet of the **Printer properties** dialog box. (Windows)

If not, select it to enable bidirectional support.

Check9 Make sure security software's firewall is off.

If your security software's firewall is on, a message may appear warning you that Canon software is attempting to access the network. If this warning message appears, set security software to always allow access.

If you are using any programs that switch between network environments, check their settings. Some programs use a firewall by default.

Check10 If printer is connected to an AirPort Base Station via LAN, make sure you use alphanumeric characters for network name (SSID). (macOS)

If the problem is not resolved, click here and redo setup.



Printer is Not Found by Printer Find Screen of Setup



The printer could not be detected with the current setup method.

Canon [redacted] series

1 2 3 4

Select Printer

Select the printer you want to set up from the list. If multiple printers have the same product name, check the serial number.

IPv4 Device IPv6 Device

Product Name	Serial Number (Last 5 Digits)	IP Address	MAC Address
[redacted]	[redacted]	[redacted]	[redacted]

Checking the serial number

If the printer that you are looking for is not in the list, click [Printer Not Found].

Printer Not Found

Back Next

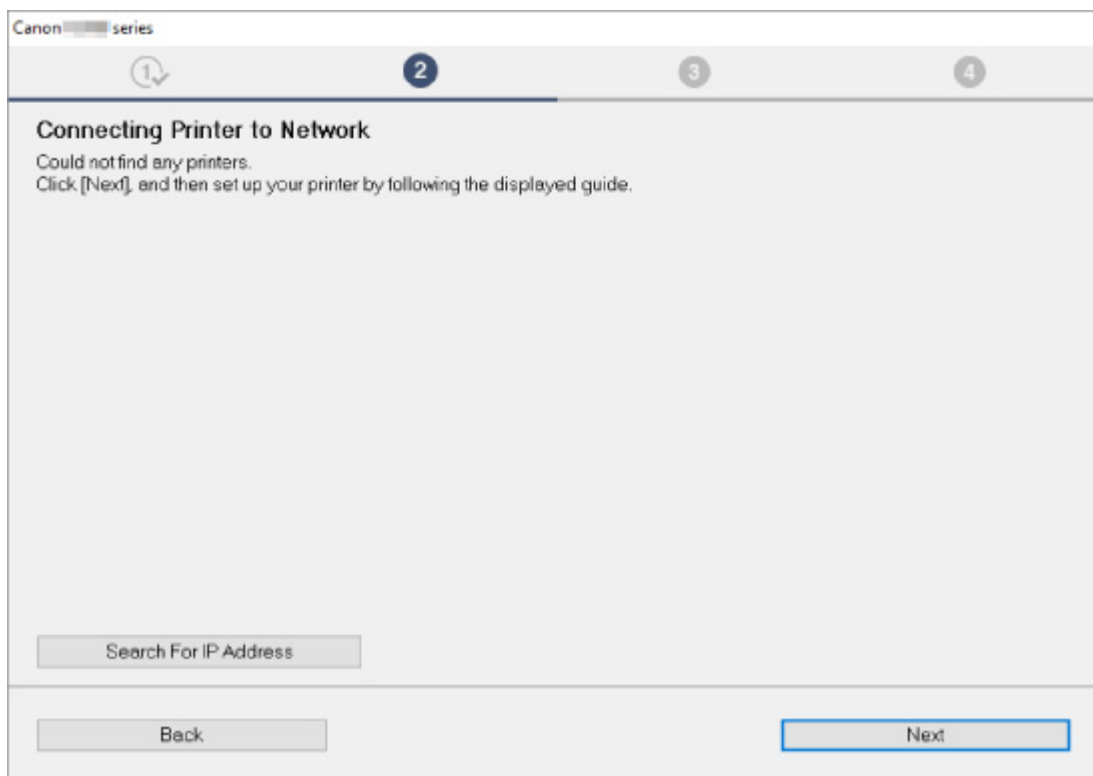
Click **Printer Not Found** and perform setup following the instructions on the screen.

▶▶▶ Note

- You can search for printers by an IP address or host name.
 - ➔ [Searching Printer by IP Address or Host Name During Setup](#)

Searching Printer by IP Address or Host Name During Setup

If the printer cannot be found on the **Printer Detection** screen, the **Connecting Printer to Network** screen appears.



The Windows screen is used as an example above.

Clicking **Search For IP Address** allows you to search for a printer by specifying the IP address or host name of the printer.

1. Check printer's IP address or host name.

To check the printer's IP Address or host name, display it using the operation panel of the printer or print out the network setting information of the printer.

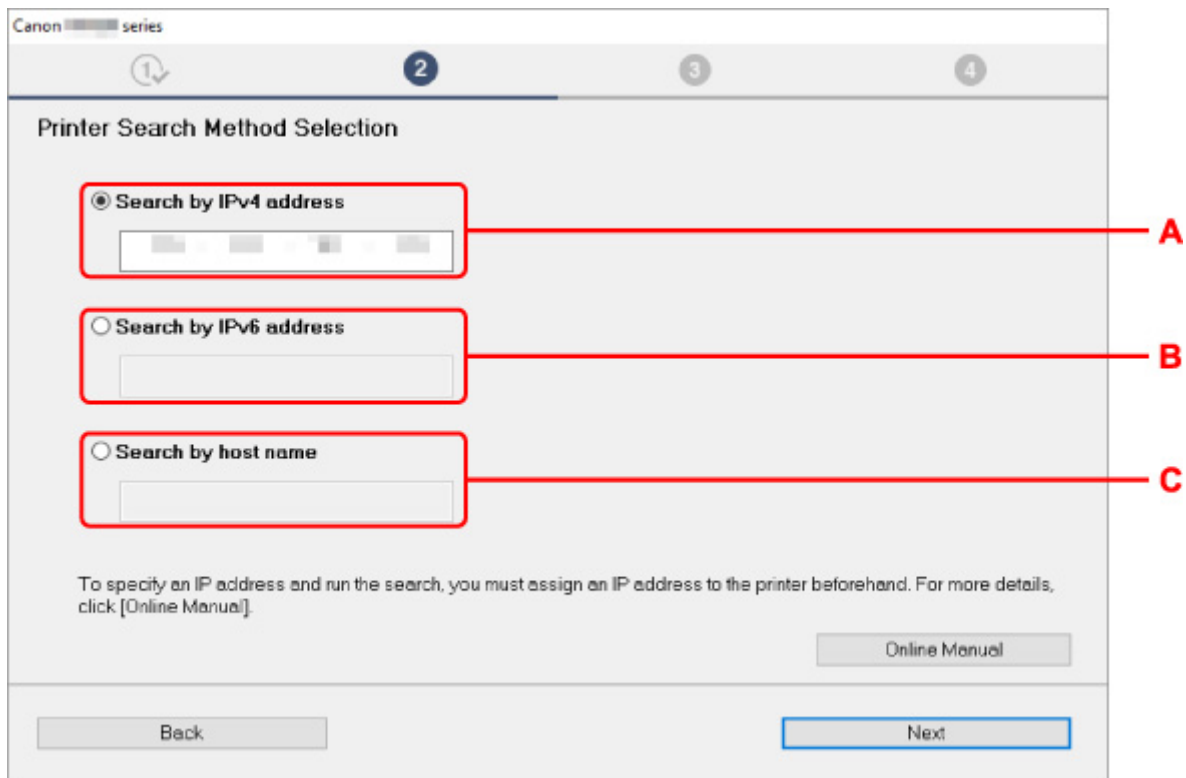
- Display on the LCD.
 - ➔ [LAN settings](#)
- Print the network settings.
 - ➔ [Printing Network Settings](#)

▶▶▶ Note

- If you use the printer in an office, ask the network administrator.

2. Specify searching methods.

Select one of the methods below.



The Windows screen is used as an example above.

A: Search by IPv4 address

Select to search for printers by IPv4 address.

B: Search by IPv6 address

Select to search for printers by IPv6 address.

C: Search by host name

Select to search for printers by host name. A host name is referred to as LLMNR host name or Bonjour service name.

3. Enter IP address or host name and click **Next.**

Printer search starts.

If an error screen appears:

Resolve the error according to the instruction on the screen.

If the IP address you entered is already used for another device, follow the procedure below to specify printer's IP address.

1. Select **LAN settings** on HOME screen and press the **OK** button.

➔ [LCD and Operation Panel](#)

2. Select **Wi-Fi** and press the **OK** button.
3. Select **Settings** and press the **OK** button.

4. Select **Advanced** and press the **OK** button.
5. Select **TCP/IP settings** and press the **OK** button.

- If you specify IPv4 address:

1. Select **IPv4**.
2. Select **Yes** on the displayed screen.
3. Select **IP address**.
4. Select **Manual setup**.
5. Enter IP address.
6. Select **OK**.
7. Enter subnet mask.
8. Select **OK**.
9. Enter default gateway.
10. Select **OK**.

The IPv4 address has been specified.

- If you specify IPv6 address:

1. Select **IPv6**.
2. Select **Yes** on the displayed screen.
3. Select **Enable/disable IPv6**.
4. Select **Enable**.

The IPv6 address has been specified.

Important

- If firewall is enabled on the computer, printers on a different subnet may not be detected. Disable firewall.

If firewall interferes with printer search:

- **If a firewall message appears:**

If a firewall message appears warning that Canon software is attempting to access the network, set the security software to allow access.

After allowing the software to access, specify the IP address or host name and search for printers again.

If the printer is found, follow the instructions on the screen to continue to set up the network communication.

- **If no firewall message appears:**

Temporarily disable the firewall and specify the IP address or host name to search for printers again.

After the setup is complete, re-enable the firewall.

▶▶ Note

- For more on firewall settings of your operating system or security software, see instruction manual or contact its manufacturer.



Cannot Find Printer while Using Wired LAN



Check1 Make sure printer is turned on.

Check2 Is  icon displayed on LCD?

If the icon is not displayed, from the setup menu select **LAN settings > Wired LAN > Settings > Enable/disable Wired LAN** and then select **Enable**.

Check3 Make sure LAN cable is connected properly.

Make sure the printer is connected to the router with the LAN cable. If the LAN cable is loose, connect the cable properly.

If the LAN cable is connected to the WAN side of the router, connect the cable to the LAN side of the router.

Network Connection Problems

- **Printer Suddenly Stopped Working for Some Reason**
- **Network Key (Password) Unknown**
- **Printer Cannot Be Used After Replacing Wireless Router or Changed Router Settings**
- **Forgot Administrator Password of Printer**
- **Printer Prints Slowly**
- **Cannot Access to Internet on Wi-Fi from Communication Device**
- **No Ink Level Appears in Printer Status Monitor (Windows)**
- **Cannot Print or Connect**

Printer Suddenly Stopped Working for Some Reason

- ➔ [Cannot Connect to a Printer after Network Configuration Changes](#)
- ➔ [Cannot Connect to a Printer via Wireless LAN \(Wi-Fi\)](#)
- ➔ [Cannot Connect to a Printer through Wireless Direct](#)
- ➔ [Cannot Connect to a Printer via Wired LAN](#)
- ➔ [Cannot Print through Network](#)

Cannot Connect to a Printer after Network Configuration Changes

A

It may take a while for the computer to obtain an IP address, or you may need to restart your computer. Make sure the computer has obtained a valid IP address, and try again to find the printer.

Cannot Connect to a Printer via Wireless LAN (Wi-Fi)

A

Check1 Check the power status of printer, network devices (e.g. wireless router), and smartphone/tablet.

- Turn on the printer or devices.
- If the power is already turned on, cycle the power switch.
- It may be necessary to resolve wireless router problems (e.g. update interval of a key, problems of DHCP update interval, energy saving mode, etc.) or to update the wireless router firmware.



For details, contact the manufacturer of your wireless router.

Check2 Can you view any web pages on your computer?

Make sure your computer is connected to the wireless router properly.

For more on checking computer settings or connection status, see the instruction manual supplied with the computer or contact the manufacturer.

Check3 Is the printer connected to the wireless router?

Use the  icon on the LCD to check the connection status between the printer and wireless router. If the  icon is not displayed, Wi-Fi is disabled. Turn on wireless communication on the printer.

Check4 Make sure the printer and wireless router network settings match.

Make sure the network settings of the printer (e.g. network name (SSID) or network key (password), etc.) are identical with those of the wireless router.

To check the settings of the wireless router, refer to the instruction manual provided with it or contact its manufacturer.

▶▶▶ Note

- Use 2.4 GHz or 5 GHz frequency band to connect to a wireless router. Match the network name (SSID) set for the printer with that for 2.4 GHz or 5 GHz frequency band of the wireless router.

To check the current network settings of the printer, display it using the operation panel of the printer or print out the network setting information of the printer.

- Display on the LCD.
 - ➔ [LAN settings](#)
- Print the network settings.
 - ➔ [Printing Network Settings](#)

▶▶▶ Note

- IJ Network Device Setup Utility allows you to diagnose and repair the network status.

Select the link below to download IJ Network Device Setup Utility and install it.

- ➔ [Checking Printer Connection Status Using IJ Network Device Setup Utility](#)

See below for starting up IJ Network Device Setup Utility.

- **For Windows:**

- ➔ [Starting Up IJ Network Device Setup Utility](#)

- **For macOS:**

- ➔ [Starting Up IJ Network Device Setup Utility](#)

Check5 Make sure the printer is not placed too far away from the wireless router.

If the distance between the printer and wireless router is too far, wireless communication becomes poor. Place the printer and wireless router close to each other.

▶▶▶ Note

- Though an antenna is attached to most wireless routers, some of them have it inside.

Check6 Make sure wireless signal is strong. Monitor signal status and move printer and wireless router as necessary.

Place the printer and wireless router where there are no obstacles between them. Wireless communication between different rooms or floors is generally poor. Wireless communication can be impeded by building materials containing metal or concrete. If the printer cannot communicate with the computer over a Wi-Fi due to a wall, place the printer and the computer in the same room.

In addition, if a device like a microwave oven that emits radio waves of the same frequency bandwidth as a wireless router is nearby, it may cause interference. Place the wireless router as far away from interference sources as possible.

Check the signal strength on the LCD.

- ➔ [LCD and Operation Panel](#)

▶▶▶ Note

- IJ Network Device Setup Utility allows you to diagnose and repair the network status.

Select the link below to download IJ Network Device Setup Utility and install it.

- ➔ [Checking Printer Connection Status Using IJ Network Device Setup Utility](#)

See below for starting up IJ Network Device Setup Utility.

- **For Windows:**

- ➔ [Starting Up IJ Network Device Setup Utility](#)

- **For macOS:**

- ➔ [Starting Up IJ Network Device Setup Utility](#)

Check7 Make sure of the Wi-Fi channel numbers used for your computer.

You need to have the same Wi-Fi channel number that you are using for the wireless router as your computer. It is normally set in the way that you can use all the Wi-Fi channels. However, when the channels that you are using are restricted, the Wi-Fi channels do not match.

See the instruction manual provided with your computer and check the Wi-Fi channel number available for your computer.

Check8 Make sure channel set on wireless router is a usable channel as confirmed in Check 7.

If it is not, change the channel set on the wireless router.

Check9 Make sure security software's firewall is off.

If your security software's firewall is on, a message may appear warning you that Canon software is attempting to access the network. If this warning message appears, set security software to always allow access.

If you are using any programs that switch between network environments, check their settings. Some programs use a firewall by default.

Check10 If printer is connected to an AirPort Base Station via LAN, make sure you use alphanumeric characters for network name (SSID). (macOS)

If the problem is not resolved, click here and redo setup.

- **Positioning:**

Make sure there are no obstacles between the printer and the wireless router.




Cannot Connect to a Printer through Wireless Direct



Check1 Check the power status of printer.

➔ [Power Supply](#)

If the power is already turned on, cycle the power switch.

Check2 Is the  icon displayed on the LCD?

If not, Wireless Direct is disabled. Turn on Wireless Direct.

Check3 Check the settings of your device (smartphone/tablet).

Make sure Wi-Fi is enabled on your device.

For details, refer to your device's instruction manual.

Check4 Make sure printer is selected as connection for device (e.g. smartphone or tablet).

Select the network name (SSID) for Wireless Direct specified for the printer as the connection destination for devices.

Check the destination on your device.

For details, refer to your device's instruction manual or visit the manufacturer's website.

To check the network name (SSID) for Wireless Direct specified for the printer, display it using the operation panel of the printer or print out the network setting information of the printer.

- Display on the LCD.

➔ [LAN settings](#)

- Print the network settings.

➔ [Printing Network Settings](#)

Check5 Have you entered the proper password specified for the Wireless Direct?

To check the password specified for the printer, display it using the operation panel of the printer or print out the network setting information of the printer.

- Display on the LCD.

➔ [LAN settings](#)

- Print the network settings.

➔ [Printing Network Settings](#)

Check6 Make sure the printer is not placed too far away from the device.

If the distance between the printer and device is too far, wireless communication becomes poor. Place the printer and device close to each other.

Check7 Make sure 5 devices are already connected.

Wireless Direct does not allow more than 5 devices to be connected.

Cannot Connect to a Printer via Wired LAN

A

Check1 Make sure the printer is turned on.

Check2 Make sure the LAN cable is connected properly.

Make sure the printer is connected to the router with the LAN cable. If the LAN cable is loose, connect the cable properly.

If the LAN cable is connected to the WAN side of the router, connect the cable to the LAN side of the router.

If the problem is not resolved, redo setup from the web page.

For Windows, you can redo setup using the Setup CD-ROM.

Cannot Print through Network

A

Check1 Make sure the computer is connected to the wireless router.

For more on how to check the computer settings or connection status, see your computer instruction manual or contact its manufacturer.

Check2 If Printer Driver is not installed, install it. (Windows)

Click [here](#) and install the printer driver.

Check3 Make sure wireless router does not restrict which computers can access it.

For more on connecting to and setting up your wireless router, see the wireless router instruction manual or contact its manufacturer.

Note

- To check the MAC address or IP address of your computer, see [Checking Computer IP Address or MAC Address](#).

Network Key (Password) Unknown

- ➔ [WPA/WPA2 or WEP Key Set for Wireless Router Unknown, Cannot Connect](#)
- ➔ [Setting an Encryption Key](#)

WPA/WPA2 or WEP Key Set for Wireless Router Unknown, Cannot Connect

A

For more on setting up a wireless router, see the instruction manual provided with the wireless router or contact its manufacturer. Make sure your computer can communicate with the wireless router.

Note

- IJ Network Device Setup Utility allows you to diagnose and repair the network status.

Select the link below to download IJ Network Device Setup Utility and install it.

- ➔ [Checking Printer Connection Status Using IJ Network Device Setup Utility](#)

See below for starting up IJ Network Device Setup Utility.

- **For Windows:**

- ➔ [Starting Up IJ Network Device Setup Utility](#)

- **For macOS:**

- ➔ [Starting Up IJ Network Device Setup Utility](#)

Setting an Encryption Key

A

For more on setting up a wireless router, see the instruction manual provided with the wireless router or contact its manufacturer. Make sure your computer can communicate with the wireless router.

Note

- IJ Network Device Setup Utility allows you to diagnose and repair the network status.

Select the link below to download IJ Network Device Setup Utility and install it.

- ➔ [Checking Printer Connection Status Using IJ Network Device Setup Utility](#)

See below for starting up IJ Network Device Setup Utility.

- **For Windows:**

- ➔ [Starting Up IJ Network Device Setup Utility](#)

- **For macOS:**

- ➔ Starting Up IJ Network Device Setup Utility

Selecting WPA, WPA2, or WPA/WPA2 is recommended for security reason. If your wireless router is compatible with WPA/WPA2, you can also use WPA2 or WPA.

- **Using WPA/WPA2 (Windows)**

The authentication method, Wi-Fi password, and dynamic encryption type must be identical among the wireless router, the printer, and your computer.

Enter the Wi-Fi password configured on the wireless router.

Either TKIP (basic encryption) or AES (secure encryption) is selected automatically as the dynamic encryption method.

For details, see [If WPA/WPA2 Details Screen Appears](#).

▶▶▶ Note

- This printer supports WPA/WPA2-PSK (WPA/WPA2-Personal) and WPA2-PSK (WPA2-Personal).

- **Using WEP**

The length or format of the Wi-Fi password and authentication method must be identical among the wireless router, the printer, and your computer.

To communicate with a wireless router that generates a password automatically, you must set the printer to use the password generated by the wireless router.

- **For Windows:**

When the **WEP Details** screen appears after you click **Search...** on the **Network Settings (Wi-Fi)** screen in IJ Network Device Setup Utility, follow the on-screen instructions to set the password length, format, and the password to use.

For details, see [If WEP Details Screen Appears](#).

▶▶▶ Note

- If the printer is connected to an AirPort Base Station via LAN:

If the printer is connected to an AirPort Base Station via a LAN, check the settings in **Wireless Security of AirPort Utility**.

- Select **64 bit** if **WEP 40 bit** is selected for password length in AirPort Base Station.
- Select **1** for the password to use. Otherwise, computer will not be able to communicate with printer via the wireless router.



Printer Cannot Be Used After Replacing Wireless Router or Changed Router Settings



When you replace a wireless router, redo the network setup for the printer according to the replaced one.

Click [here](#) and perform setup.

▶▶▶ Note

- IJ Network Device Setup Utility allows you to diagnose and repair the network status.

Select the link below to download IJ Network Device Setup Utility and install it.

- ➔ [Checking Printer Connection Status Using IJ Network Device Setup Utility](#)

See below for starting up IJ Network Device Setup Utility.

- **For Windows:**

- ➔ [Starting Up IJ Network Device Setup Utility](#)

- **For macOS:**

- ➔ [Starting Up IJ Network Device Setup Utility](#)

If this does not solve the problem, see below.

- ➔ [Cannot Communicate with Printer After Enabling MAC/IP Address Filtering or Encryption Key on Wireless Router](#)

- ➔ [With Encryption On, Cannot Communicate with Printer After Changing Encryption Type at Wireless Router](#)



Cannot Communicate with Printer After Enabling MAC/IP Address Filtering or Encryption Key on Wireless Router



Check1 Check wireless router setting.

To check the wireless router setting, see the instruction manual provided with the wireless router or contact its manufacturer. Make sure the computer and the wireless router can communicate with each other under this setting.

Check2 If filtering MAC addresses or IP addresses at wireless router, check that MAC addresses or IP addresses for computer, network device, and printer are registered.

Check3 If using WPA/WPA2 key or a password, make sure encryption key for computer, network device, and printer matches key set for wireless router.

The length or format of the Wi-Fi password and authentication method must be identical among the wireless router, the printer, and your computer.

For details, see [Setting an Encryption Key](#).

Q With Encryption On, Cannot Communicate with Printer After Changing Encryption Type at Wireless Router

A

If you change the encryption type for the printer and it subsequently cannot communicate with the computer, make sure the encryption type for the computer and the wireless router matches the type set for the printer.

- ➔ [Cannot Communicate with Printer After Enabling MAC/IP Address Filtering or Encryption Key on Wireless Router](#)



Forgot Administrator Password of Printer



Initialize the printer settings.

On the HOME screen, select **Various settings > Printer settings > Reset settings > Reset all** and then select **Yes**, restore to default administrator password.

➔ [Reset settings](#)

After initializing the printer settings, redo setup.

Click here and redo setup.



Printer Prints Slowly



Check1 Printer may be printing a large job from another computer.

Check2 Make sure the printer is not placed too far away from the wireless router.

Place the printer and wireless router where there are no obstacles between them. Wireless communication between different rooms or floors is generally poor. Wireless communication can be impeded by building materials containing metal or concrete. If the printer cannot communicate with the computer over a Wi-Fi due to a wall, place the printer and the computer in the same room.

In addition, if a device like a microwave oven that emits radio waves of the same frequency bandwidth as a wireless router is nearby, it may cause interference. Place the wireless router as far away from interference sources as possible.

Check3 Make sure wireless signal is strong. Monitor signal status and move printer and wireless router as necessary.

Check the signal strength on the LCD.

➔ [LCD and Operation Panel](#)

▶▶▶ Note

- IJ Network Device Setup Utility allows you to diagnose and repair the network status.

Select the link below to download IJ Network Device Setup Utility and install it.

➔ [Checking Printer Connection Status Using IJ Network Device Setup Utility](#)

See below for starting up IJ Network Device Setup Utility.

- **For Windows:**

- ➔ [Starting Up IJ Network Device Setup Utility](#)

- **For macOS:**

- ➔ [Starting Up IJ Network Device Setup Utility](#)



Cannot Access to Internet on Wi-Fi from Communication Device



Check1 Is your device connected to printer using Wireless Direct?

If your device is connected to the printer using Wireless Direct, you cannot access to the Internet. Turn off Wireless Direct and connect your device to the wireless router.

For details, see the instruction manual provided with your device and wireless router.

Check2 Is wireless router on?

Check3 Is wireless router configured properly?

For more on checking wireless router settings, see the instruction manual provided with the wireless router or contact its manufacturer.

Check4 Check your device and wireless router location.

Check the distance between your device and wireless router, and check for obstruction or source of radio wave interference nearby.



No Ink Level Appears in Printer Status Monitor (Windows)



Use the printer driver with bidirectional communication.

Select **Enable bidirectional support** in the **Ports** sheet of the **Printer properties** dialog box.

➔ [How to Open the Printer Driver Setup Window](#)



Cannot Print or Connect



Redo printer setup if one of conditions below is applied.

- if you have replaced a computer or wireless router
- if you have changed wireless router settings
- if you have changed the printer connection method (Wi-Fi/wired LAN/USB)
- if you have forgotten the administrator password specified for the printer

If you have forgotten the password, on the HOME screen, select **Various settings** > **Printer settings** > **Reset settings** > **Reset all** to restore the password to default, and then redo printer setup.

➔ [Reset settings](#)

Visit here for more on the setup procedure.

If none of the above is applied, see [Printer Suddenly Stopped Working for Some Reason](#).

Other Network Problems

- ▶ **Checking Network Information**
- ▶ **Restoring to Factory Defaults**
- ▶ **Message Appears on Computer During Setup**
- ▶ **Connecting Printer and Wireless Router Using Easy wireless connect**
- ▶ **Cannot Connect Smartphone/Tablet to Wireless Router**
- ▶ **Downloading Canon PRINT Inkjet/SELPHY**
- ▶ **Checking Wireless Router SSID/Key**
- ▶ **Checking Wireless Router Network Name (SSID) for Smartphone/Tablet**
- ▶ **Privacy Separator/SSID Separator/Network Separation Function**
- ▶ **Setting Up Using Smartphone/Tablet**
- ▶ **Error Occurs During Wi-Fi Setup**
- ▶ **Checking Status Code**

Checking Network Information

- ➔ [Checking Printer IP Address or MAC Address](#)
- ➔ [Checking Computer IP Address or MAC Address](#)
- ➔ [Checking Communication Between the Computer, the Printer, and the Wireless Router](#)
- ➔ [Checking Network Setting Information](#)

Checking Printer IP Address or MAC Address

To check the printer's IP Address or MAC address, display it using the operation panel of the printer or print out the network setting information of the printer.

- Display on the LCD.
 - ➔ [LAN settings](#)
- Print the network settings.
 - ➔ [Printing Network Settings](#)

For Windows, you can check the network setting information on the computer screen.

- ➔ [Canon IJ Network Device Setup Utility Screen](#)

Checking Computer IP Address or MAC Address

To check the IP Address or MAC address of your computer, follow the instructions below.

- **For Windows:**

1. Select **Command Prompt** from **Start**.
2. Enter "ipconfig/all" and press **Enter**.

The IP address and MAC address of your computer appear. If your computer is not connected to a network, the IP address does not appear.

- **For macOS:**

1. Select **System Preferences** from Apple menu, and then click **Network**.
2. Make sure network interface used by computer is selected, and then click **Advanced**.

When you are using Wi-Fi on your computer, make sure **Wi-Fi** is selected as network interface. When you are using wired LAN, make sure **Ethernet** is selected.

3. Click **TCP/IP** to check the IP address, or click **Hardware** to check the MAC address.

Checking Communication Between the Computer, the Printer, and the Wireless Router

A

Perform a ping test to check if communication is taking place.

- **For Windows:**

1. Select **Command Prompt** from **Start**.

2. Type the ping command and press **Enter**.

The ping command is as follows: ping XXX.XXX.XXX.XXX

"XXX.XXX.XXX.XXX" is the IP address of the target device.

If communication is taking place, a message like the one shown below appears.

Reply from XXX.XXX.XXX.XXX: bytes=32 time=10ms TTL=255

If **Request timed out** appears, communication is not taking place.

- **For macOS:**

1. Start **Network Utility** as shown below.

Select **Computer** from **Go** menu of Finder, double-click **Macintosh HD > System > Library > CoreServices > Applications > Network Utility**.

2. Click **Ping**.

3. Make sure **Send only XX pings** (XX are numbers) is selected.

4. Enter IP address of target printer or target wireless router in **Enter the network address to ping**.

5. Click **Ping**.

"XXX.XXX.XXX.XXX" is the IP address of the target device.

A message such as the following appears.

64 bytes from XXX.XXX.XXX.XXX: icmp_seq=0 ttl=64 time=3.394 ms

64 bytes from XXX.XXX.XXX.XXX: icmp_seq=1 ttl=64 time=1.786 ms

64 bytes from XXX.XXX.XXX.XXX: icmp_seq=2 ttl=64 time=1.739 ms

--- XXX.XXX.XXX.XXX ping statistics ---

3 packets transmitted, 3 packets received, 0% packet loss

If "100% packet loss" appears, communication is not taking place. Otherwise, computer is communicating with target device.

Checking Network Setting Information

A

To check the printer's network settings information, print out the network settings information or use the operation panel to display it.

- Display on the LCD.
 - ➔ [LAN settings](#)
- Print the network settings.
 - ➔ [Printing Network Settings](#)



Restoring to Factory Defaults



»» Important

- Initialization erases all network settings on the printer, making printing operation from a computer over a network impossible. To use the printer over a network again after restoring it to the factory defaults, [click here](#) and redo setup.

Initialize the network setting using the printer's operation panel.

➔ [Reset settings](#)

Message Appears on Computer During Setup

- ➔ [Screen to Enter Password Appears During Setup \(Windows\)](#)
- ➔ [Encryption Settings Screen Appears When Wireless Router Selected \(Windows\)](#)
- ➔ ["You have connected the printer to the non encrypted wireless network" Appears](#)

Screen to Enter Password Appears During Setup (Windows)

A

If the printer is set up for use with a network and an administrator password has been set, a screen asking you to enter the password appears.

Enter the same password as that specified for the printer.

Note

- An administrator password is already set for the printer at the time of purchase.

For details:

- ➔ Administrator Password

For improved security, we recommend that you change the administrator password.

- ➔ [Change Administrator Password](#)

Encryption Settings Screen Appears When Wireless Router Selected (Windows)

A

This screen appears automatically if the selected wireless router is encrypted. Set the same encryption settings as those set for the wireless router.

For more on encryption settings, see [Performing/Changing Wi-Fi Settings](#).

"You have connected the printer to the non encrypted wireless network" Appears

A

Security is not configured on the wireless router. The printer can still be used, so continue the setup procedure and complete it.

Important

- If you connect to a network that is not protected with security measures, there is a risk of disclosing data such as your personal information to a third party.



Connecting Printer and Wireless Router Using Easy wireless connect



Using "Easy wireless connect" allows you to register wireless router information to the printer directly via a device (e.g. smartphone or tablet). Turn the printer and the device on and perform connection setup.

For details:

- ➔ [Easy wireless connect](#)

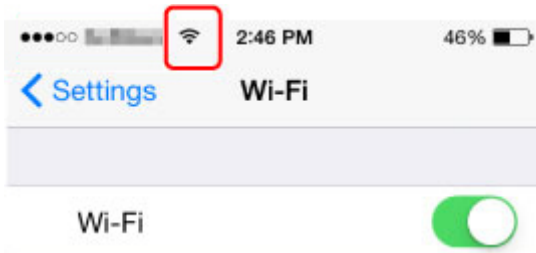


Cannot Connect Smartphone/Tablet to Wireless Router



Check Is the Wi-Fi antenna displayed on your smartphone/tablet?

- Example (iOS):



- Example (Android):



If the antenna is not displayed, your device's wireless function is disabled. Enable Wi-Fi on your device and connect it to a wireless router. For more on the procedure, refer to your device's instruction manual or visit the manufacturer's website.

▶▶▶ Note

- The setup on your smartphone/tablet will be easier when you complete setting up a wireless printer connection on your computer in advance.



Downloading Canon PRINT Inkjet/SELPHY



Download Canon PRINT Inkjet/SELPHY from App Store and Google Play.

- ➔ For iOS
- ➔ For Android

You can use AirPrint if you use an iOS device.

- ➔ Printing from iOS Device (AirPrint)

You can also use Canon Print Service (printing plug-in) if you use an Android device.

- ➔ Canon Print Service



Checking Wireless Router SSID/Key



The position where the SSID/Key of a wireless router is written differs depending on the manufacturer.

For details, refer to your wireless router's instruction manual or visit the manufacturer's website.

Note

- Some wireless routers distinguish network names (SSIDs) by the last alphanumeric character according to their bandwidth (2.4 GHz or 5 GHz) or purpose (for computer or game machine).

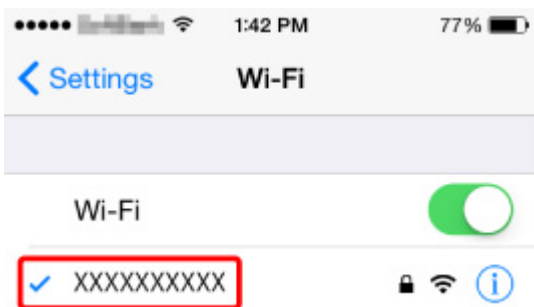


Checking Wireless Router Network Name (SSID) for Smartphone/ Tablet

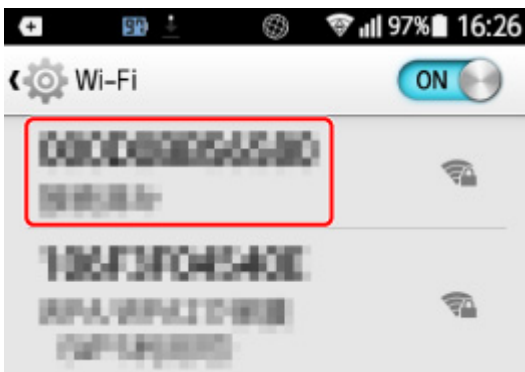


Check it from the setting screen of your smartphone/tablet.

- **Example (iOS):**



- **Example (Android):**



For details on how to display the setting screen, refer to your device's instruction manual or visit the manufacturer's website.

▶▶▶ Important

- Perform setup for your printer and smartphone/tablet so that they can connect to the same wireless router.



Privacy Separator/SSID Separator/Network Separation Function



If a privacy separator, SSID separator, or Network separation function is enabled on the wireless router, you cannot perform setup. Before performing setup, disable these functions. For the procedure, refer to your wireless router's instruction manual or visit the manufacturer's website.



Setting Up Using Smartphone/Tablet



Refer to Getting Started or visit [here](#) to perform setup.

Note

- If you have a computer, you can set up the printer on the computer more easily.



Error Occurs During Wi-Fi Setup



Check1 Check wireless router location

Make sure the printer is not placed far away from the wireless router.

The printer can be up to 50 m (164 ft) from the wireless router. Make sure the printer is close enough to the wireless router to be used.

Place the printer and wireless router where there are no obstacles between them. Wireless communication between different rooms or floors is generally poor. Wireless communication can be impeded by building materials containing metal or concrete. If the printer cannot communicate with the computer over a Wi-Fi due to a wall, place the printer and the computer in the same room.

In addition, if a device like a microwave oven that emits radio waves of the same frequency bandwidth as a wireless router is nearby, it may cause interference. Place the wireless router as far away from interference sources as possible.

▶▶▶ Note

- Though an antenna is attached to most wireless routers, some of them have it inside.

Check2 Check wireless router settings

The printer and wireless router should be connected using 2.4 GHz or 5 GHz bandwidth. Make sure the wireless router for the printer's destination is configured to use 2.4 GHz or 5 GHz bandwidth.

▶▶▶ Note

- Some wireless routers distinguish network names (SSIDs) by the last alphanumeric character according to their bandwidth (2.4 GHz or 5 GHz) or purpose (for computer or game machine).

To check the network name (SSID) of the wireless router the printer is connected to, display it using the operation panel of the printer or print out the network setting information of the printer.

- Display on the LCD.
 - ➡ [LAN settings](#)
- Print the network settings.
 - ➡ [Printing Network Settings](#)

For details, see the instruction manual supplied with the wireless router or contact the manufacturer.

If you use an encryption key, specify it for the network name (SSID) you are using.

For details, see [Setting an Encryption Key](#).

▶▶▶ Note

- Pressing a button on the wireless router allows you to connect the printer and wireless router.



- ➔ WPS Connection
- For manual setup:
 - ➔ WPS (PIN Code) Connection

If the measures above do not resolve the problem, make sure the DHCP of the wireless router is enabled.



Checking Status Code



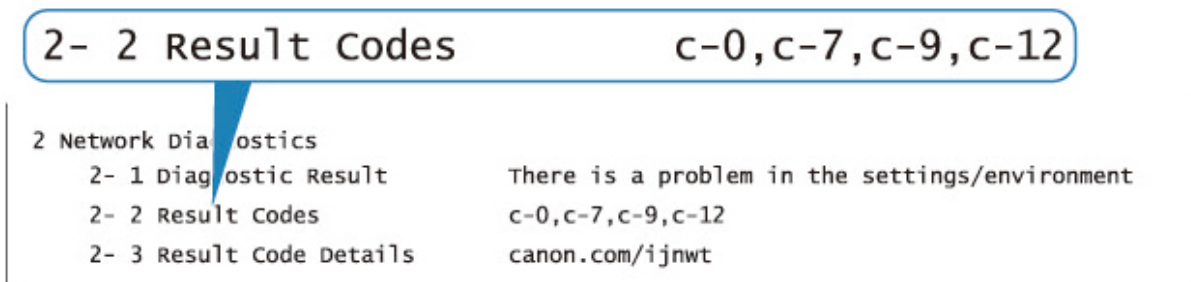
You can check the current network status by printing network information. "Status Code" represents the network status.

Follow the procedure below to check the status code.

1. Print out network settings.

➔ [Printing Network Settings](#)

2. Check "2-2 Result Codes" on printout.



3. Visit <http://canon.com/ijnwt> to check details on displayed status code (c-xx: "xx" represents numeric characters).

Problems while Printing from Smartphone/Tablet

- ▶ **Cannot Print from Smartphone/Tablet**

Cannot Print from Smartphone/Tablet

If you cannot print from your smartphone/tablet, it is possible that your smartphone/tablet cannot communicate with the printer.

Check the cause of your problem according to the connection method.

- ➔ [Cannot Communicate with Printer over Wireless LAN](#)
- ➔ [Cannot Communicate with Printer while It Is in Wireless Direct](#)

▶▶▶ Note

- For problems on printing with other connection methods or more on performing settings of each connection method:
 - ➔ Using PIXMA/MAXIFY Cloud Link
 - ➔ [Printing with Google Cloud Print](#)
 - ➔ Printing from iOS Device (AirPrint)

Cannot Communicate with Printer over Wireless LAN

If your smartphone/tablet cannot communicate with the printer, check the following.

Check1 Check the power status of printer, network devices (e.g. wireless router), and smartphone/tablet.

- Turn on the printer or devices.
- If the power is already turned on, cycle the power switch.
- It may be necessary to resolve wireless router problems (e.g. update interval of a key, problems of DHCP update interval, energy saving mode, etc.) or to update the wireless router firmware.



For details, contact the manufacturer of your wireless router.

Check2 Check the settings of your device (smartphone/tablet).

Make sure Wi-Fi is enabled on your device.

For details, refer to your device's instruction manual.

Check3 Is the printer connected to the wireless router?

Use the  icon on the LCD to check the connection status between the printer and wireless router. If the  icon is not displayed, Wi-Fi is disabled. Turn on wireless communication on the printer.

Check4 Are network settings of printer identical with those of wireless router?

Make sure the network settings of the printer (e.g. network name (SSID) or network key (password), etc.) are identical with those of the wireless router.

To check the settings of the wireless router, refer to the instruction manual provided with it or contact its manufacturer.

To check the current network settings of the printer, display it using the operation panel of the printer or print out the network setting information of the printer.

- Display on the LCD.
 - ➔ [LAN settings](#)
- Print the network settings.
 - ➔ [Printing Network Settings](#)

▶▶▶ Note

- IJ Network Device Setup Utility allows you to diagnose and repair the network status.
Select the link below to download IJ Network Device Setup Utility and install it.
 - ➔ [Checking Printer Connection Status Using IJ Network Device Setup Utility](#)See below for starting up IJ Network Device Setup Utility.
 - **For Windows:**
 - ➔ [Starting Up IJ Network Device Setup Utility](#)
 - **For macOS:**
 - ➔ [Starting Up IJ Network Device Setup Utility](#)

Check5 Are network settings of your smartphone/tablet identical with those of wireless router?

Make sure the network settings of the printer (e.g. network name (SSID) or network key (password), etc.) are identical with those of the wireless router.

To check the settings of your smartphone/tablet, refer to the instruction manual provided with it.

If the network settings of your smartphone/tablet are not identical with those of the wireless router, change the network settings of it to match with those of the wireless router.

Check6 Make sure the printer is not placed too far away from the wireless router.

If the distance between the printer and wireless router is too far, wireless communication becomes poor. Place the printer and wireless router close to each other.

▶▶▶ Note

- Though an antenna is attached to most wireless routers, some of them have it inside.

Check7 Make sure wireless signal is strong. Monitor signal status and move printer and wireless router as necessary.

Place the printer and wireless router where there are no obstacles between them. Wireless communication between different rooms or floors is generally poor. Wireless communication can be impeded by building materials containing metal or concrete. If the printer cannot communicate with the computer over a Wi-Fi due to a wall, place the printer and the computer in the same room.

In addition, if a device like a microwave oven that emits radio waves of the same frequency bandwidth as a wireless router is nearby, it may cause interference. Place the wireless router as far away from interference sources as possible.

Check the signal strength on the LCD.

➔ [LCD and Operation Panel](#)

▶▶▶ Note

- IJ Network Device Setup Utility allows you to diagnose and repair the network status.

Select the link below to download IJ Network Device Setup Utility and install it.

➔ [Checking Printer Connection Status Using IJ Network Device Setup Utility](#)

See below for starting up IJ Network Device Setup Utility.

- **For Windows:**

➔ [Starting Up IJ Network Device Setup Utility](#)

- **For macOS:**

➔ [Starting Up IJ Network Device Setup Utility](#)

Cannot Communicate with Printer while It Is in Wireless Direct

A

If your smartphone/tablet cannot communicate with the printer in the Wireless Direct, check the following.

Check1 Check the power status of printer and other devices (smartphone or tablet).

Turn on the printer or devices.

If the power is already turned on, cycle the power switch.

Check2 Is the  icon displayed on the LCD?

If not, Wireless Direct is disabled. Turn on Wireless Direct.

Check3 Check the settings of your device (smartphone/tablet).

Make sure Wi-Fi is enabled on your device.

For details, refer to your device's instruction manual.

Check4 Make sure printer is selected as connection for device (e.g. smartphone or tablet).

Select the network name (SSID) for Wireless Direct specified for the printer as the connection destination for devices.

Check the destination on your device.

For details, refer to your device's instruction manual or visit the manufacturer's website.

To check the network name (SSID) for Wireless Direct specified for the printer, display it using the operation panel of the printer or print out the network setting information of the printer.

- Display on the LCD.
 - ➡ [LAN settings](#)
- Print the network settings.
 - ➡ [Printing Network Settings](#)

Check5 Have you entered the proper password specified for the Wireless Direct?

To check the password specified for the printer, display it using the operation panel of the printer or print out the network setting information of the printer.

- Display on the LCD.
 - ➡ [LAN settings](#)
- Print the network settings.
 - ➡ [Printing Network Settings](#)

Check6 Make sure the printer is not placed too far away from the device.

If the distance between the printer and device is too far, wireless communication becomes poor. Place the printer and device close to each other.

Check7 Make sure 5 devices are already connected.

Wireless Direct does not allow more than 5 devices to be connected.

Printing Problems

- **Printer Does Not Print**
- **Ink Does Not Come Out**
- **Printer Does Not Pick up or Feed the Paper/"No Paper" Error**
- **Cannot Print on the Disc Label**
- **Printout Results Are Unsatisfactory**
- **Printing Stops**
- **Cannot Print Using AirPrint**
- **Paper Does Not Feed from Paper Source Specified in Printer Driver (Windows)**



Printer Does Not Print



Check1 Make sure printer is turned on.

If not, make sure the printer is securely plugged in and press **ON** button to turn on.

The **ON** lamp flashes while the printer is initializing. Wait until the **ON** lamp stops flashing and remains lit.

▶▶▶ Note

- If you are printing large data such as photos or other graphics, printing may take longer to start. The **ON** lamp flashes while the computer is processing data and sending it to the printer. Wait until printing starts.

Check2 Make sure printer is properly connected to computer.

If you are using a USB cable, make sure it is securely connected to both the printer and the computer. When the USB cable is securely plugged in, check the following:

- If you are using a relay device such as a USB hub, disconnect it, connect the printer directly to the computer, and retry the printing. If printing starts normally, there is a problem with the relay device. Contact the vendor of the relay device.
- There could also be a problem with the USB cable. Replace the USB cable and retry the printing.

If you use the printer over a LAN, make sure the printer is correctly set up for network use.

- ➔ [Cannot Find Printer while Using Wi-Fi](#)
- ➔ [Cannot Find Printer while Using Wired LAN](#)

▶▶▶ Note

- IJ Network Device Setup Utility allows you to diagnose and repair the network status.

Select the link below to download IJ Network Device Setup Utility and install it.

- ➔ [Checking Printer Connection Status Using IJ Network Device Setup Utility](#)

See below for starting up IJ Network Device Setup Utility.

- **For Windows:**

- ➔ [Starting Up IJ Network Device Setup Utility](#)

- **For macOS:**

- ➔ [Starting Up IJ Network Device Setup Utility](#)

Check3 Check bandwidth used by wireless router and printer.

If you connect with Wireless Direct while the printer is connected to the wireless router in the 5 GHz bandwidth, the connection between the wireless router and the printer is canceled. (Some countries and regions may not

support the 5 GHz bandwidth.) Use the 2.4 GHz bandwidth to prevent disconnection. When you connect the printer and wireless router in the 2.4 GHz bandwidth, you can print via the wireless router or Wireless Direct.

➔ [Connecting with Wireless Direct](#)

Check4 Make sure paper settings match information set for top feed or manual feed tray.

If the paper settings do not match the information set for the top feed or the manual feed tray, an error message appears on the LCD. Follow the instructions on the LCD to solve the problem.

➔ [Register Paper Information](#)

▶▶▶ Note

- You can select whether the message which prevents misprinting is displayed.
 - To change the message view setting when printing using the printer's operation panel:
 - ➔ [Paper-related settings](#)
 - To change the message view setting when printing using the printer driver:
 - ➔ [Changing the Printer Operation Mode](#) (Windows)
 - ➔ [Changing the Printer Operation Mode](#) (macOS)

Check5 If printing from a computer, delete unnecessary print jobs.

- **For Windows:**

- ➔ [Deleting the Undesired Print Job](#)

- **For macOS:**

- ➔ [Deleting the Undesired Print Job](#)

Check6 Make sure that the multi-purpose tray guide is closed.

If the multi-purpose tray guide is opened, close it.

Check7 Is the manual feed tray in the paper feed position?

If the manual feed tray is in the paper jam clearing position, return the tray to the paper feed position.

Check8 Does the page size setting match the size of paper loaded in the printer?

- **For Windows:**

Check the message on the printer's LCD to clear the error. Then check **Page Size** setting in **Page Setup** sheet of the printer driver and load paper that is the same size as the setting and try printing again.

Set the printer not to detect the width of the paper using the printer driver.

To set the printer not to detect the width of the paper, open the printer driver setup window, and in **Custom Settings** under **Maintenance** sheet, select **Disable paper width detection when printing from computer** check box, and then click **OK**.

To open the printer driver setup window, see [How to Open the Printer Driver Setup Window](#).

* Clear **Disable paper width detection when printing from computer** check box again once printing is complete, and then click **OK**.

- **For macOS:**

Check the message on the printer's LCD to clear the error. Then check the **Paper Size** setting in the Page Setup dialog and load paper that is the same size as the setting and try printing again.

Set the printer not to detect the width of the paper using the Canon IJ Printer Utility2.

To set the printer not to detect the width of the paper, open the Canon IJ Printer Utility2, select **Custom Settings** in the pop-up menu, select **Disable paper width detection when printing from computer** check box, and then click **Apply**.

To open the Canon IJ Printer Utility2, see Opening the Canon IJ Printer Utility2.

* Clear the **Disable paper width detection when printing from computer** check box again once printing is complete, and then click **Apply**.

Check9 Are media type and paper size specified properly in the printer driver?

When the media type is specified to **Photo Paper Pro Premium Matte A**, **Premium Fine Art Smooth**, or **Matte Photo Paper** in the printer driver, specify a paper size from the following size that has wide margins.

- **A4 (Margin 25)**
- **Letter (Margin 25)/US Letter (Margin 25)**
- **A3 (Margin 25)**
- **A3+ (Margin 25)**
- **11"x17" (Margin 25)**
- **210x594mm (Margin 25)**

▶▶▶ Important

- By canceling the safety margin regulation with the following method, you can print with normal paper size.

- **For Windows:**

Click **Print Options** on **Page Setup** sheet of the printer driver. Then select **Cancel the safety margin regulation for paper size** check box in the dialog that appears.

- **For macOS:**

Select **Cancel Margin Regulation** check box in **Advanced Paper Settings** in the Print dialog.

If you print with normal paper size, conditions such as paper abrasion may cause paper stains or deterioration of print quality depending on the environment. We recommend that you print with a paper size that has wide margins.

Check10 Is your printer's printer driver selected when printing?

The printer will not print properly if you are using a printer driver for a different printer.

- **For Windows:**

Make sure "Canon XXX series" (where "XXX" is your printer's name) is selected in the Print dialog box.

▶▶▶ Note

- If multiple printers are registered to your computer, set your printer as default printer to make the one selected by default.

• For macOS:

Make sure your printer's name is selected in **Printer** in the Print dialog.

▶▶▶ Note

- If multiple printers are registered to your computer, select **Set as Default Printer** from **System Preferences > Printers & Scanners** for a printer to make the one selected by default.

Check11 Set correct printer port. (Windows)

• For connecting printer to computer using USB cable:

1. Make sure the printer is turned on.
2. Select **Devices and Printers** in the **Control Panel** and right-click the icon of the printer to correct the printer port.
3. Select **Remove device**, delete the unnecessary printer driver.
4. Unplug the USB cable.
5. Reconnect the USB cable.

The printer driver rebuilding starts and a new printer icon is added.

If the printer icon is not added after about 5 minutes, printer driver is not installed correctly. Redo printer setup.

• For connecting printer to the network:

You can perform network settings using IJ Network Device Setup Utility.

1. Start Up IJ Network Device Setup Utility.
 - ➔ [Starting Up IJ Network Device Setup Utility](#)
2. Select **Diagnose and Repair**.

Connectable printer detection is performed.
3. Chose the printer that you want to reconnect from the list, and select **Next**.

Select **Next** when the diagnosis result is displayed.
4. Select **Exit**.

Check12 Are you trying to print a large data file? (Windows)

If you are trying to print a large data file, it takes a long time to start printing.

If the printer does not start printing after a certain period of time, select **On** for **Prevention of Print Data Loss** on the **Print Options** dialog box.

For details, refer to [Page Setup Tab Description](#).

▶▶▶ Important

- Selecting **On** for **Prevention of Print Data Loss** may reduce print quality.

- After printing is completed, select **Off** for **Prevention of Print Data Loss**.

Check13 If printing from your computer, restart the computer.

Restart the computer and try printing again.



Ink Does Not Come Out



Check1 Make sure of the estimated ink levels in the ink tanks.

Check the ink status on the LCD.

➔ [Checking Ink Status on the LCD](#)

Check2 Are the print head nozzles clogged?

Follow the steps below to print a nozzle check pattern and determine whether the ink is ejected properly from the print head nozzles.

Step1 Print the nozzle check pattern.

After printing the nozzle check pattern, examine the pattern.

• **For Windows:**

➔ [Printing a Nozzle Check Pattern](#)

• **For macOS:**

➔ [Printing a Nozzle Check Pattern](#)

If the pattern is not printed correctly, go to the next step.

Step2 Clean the print head.

After cleaning the print head, print the nozzle check pattern and check the result.

• **For Windows:**

➔ [Clean the print head](#)

• **For macOS:**

➔ [Clean the print head](#)

If it does not improve, clean the print head again.

If it still does not improve, go to the next step.

Step3 Clean the print head deeply.

After cleaning the print head deeply, print the nozzle check pattern and check the result.

• **For Windows:**

➔ [Clean the print head deeply](#)

• **For macOS:**

➔ [Clean the print head deeply](#)

If it does not improve, turn off the printer, wait for more than 24 hours, and go to the next step. When you turn the printer off, do not unplug it from the power supply.

Step4 Clean the print head deeply again.

After cleaning the print head deeply again, print the nozzle check pattern and check the result.

If it still does not improve, go to the next step.

Step 5 Request a repair.

The print head may be damaged. Contact your nearest Canon service center to request a repair.

For details on printing the nozzle check pattern, print head cleaning, and print head deep cleaning, see [Print Head](#).



Printer Does Not Pick up or Feed the Paper/"No Paper" Error



Check1 Make sure paper is loaded.

➔ [Loading Paper](#)

Check2 When loading paper, consider the following.

- When loading two or more sheets of paper, flip through the paper before loading it.



- When loading two or more sheets of paper, align the edges of the sheets before loading the paper.
- When loading two or more sheets of paper, make sure the paper stack does not exceed the paper load limit.

However, paper may not feed correctly at the maximum capacity, depending on the type of paper or environmental conditions (very high or low temperature and humidity). In such cases, reduce the amount of paper you load at a time to less than half of the paper load limit.

- Always load the paper in portrait orientation, regardless of the printing orientation.

In the manual feed tray:

When you load the paper, load one sheet at a time. When you print continuously, set the next paper after the last one is finished printing.

Check3 Is paper too thick or curled?

➔ [Unsupported Media Types](#)

Check4 When loading postcards, consider the following:

- If a postcard is curled, it may not feed properly even though the paper stack does not exceed the paper load limit.

Load Japanese postcards with their postcode column downward.

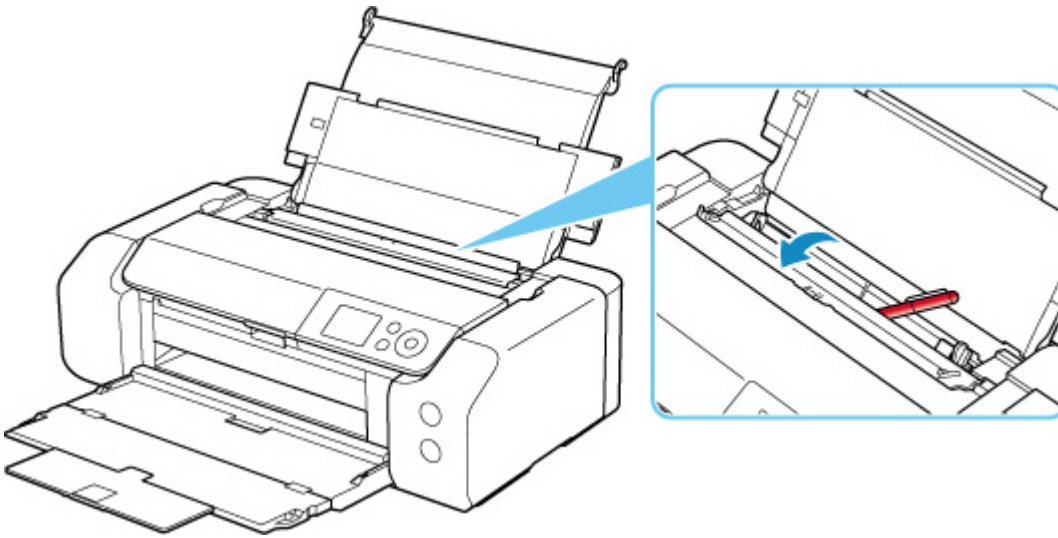
Check5 Check paper source setting.

➔ [Switching the Paper Source to Match the Purpose](#)

Check6 Make sure paper weight is suitable for use with printer.

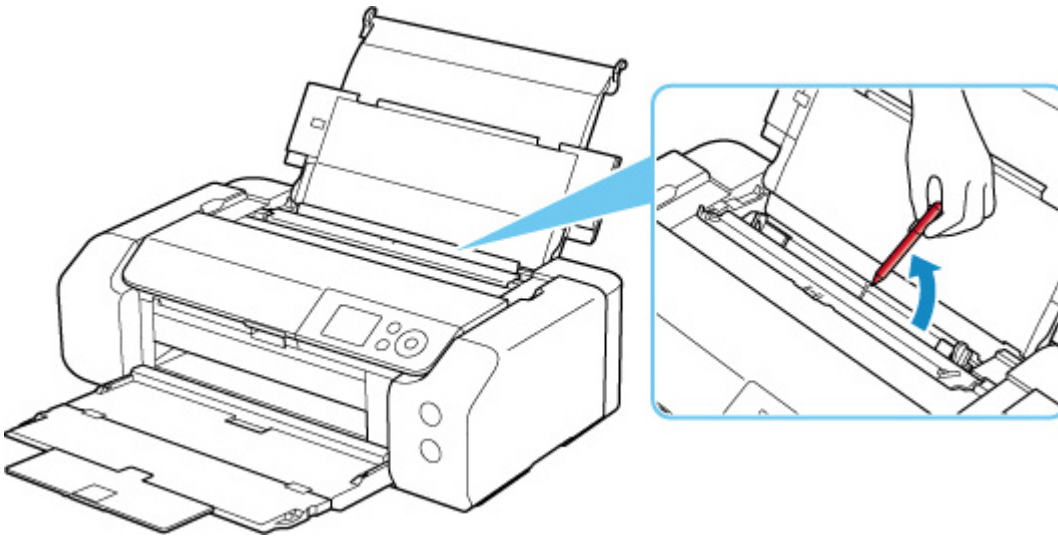
➔ [Supported Media Types](#)

Check7 Make sure that there are not any foreign objects in top feed or manual feed tray.



If the paper tears in the top feed or manual feed tray, see [List of Support Code for Error \(Paper Jams\)](#) to remove it.

If there are any foreign objects in the top feed or manual feed tray, be sure to turn off the printer, unplug it from the power supply, then remove the foreign object.



➤➤➤ **Note**

- If the feed slot cover is opened, close it slowly.

Check8 Make sure that the multi-purpose tray guide is closed completely.

Paper does not feed properly if the multi-purpose tray guide is even slightly open.

➔ [Placing a Printable Disc](#)

Check9 Clean paper feed roller.

➔ [Cleaning Paper Feed Rollers](#)

▶▶▶ Note

- Cleaning the paper feed roller abrades it, so do this only when necessary.

If the measures above do not solve the problem, contact your nearest Canon service center to request a repair.

Cannot Print on the Disc Label

- ➔ [Disc Label Printing Does Not Start](#)
- ➔ [Multi-Purpose Tray Does Not Feed Properly](#)
- ➔ [Multi-Purpose Tray Jammed](#)

Disc Label Printing Does Not Start

Check1 Is multi-purpose tray placed properly?

Place the multi-purpose tray properly again and select **OK** on the LCD.

Use the multi-purpose tray (marked A) supplied with this printer.

For more on placing the multi-purpose tray, see [Placing a Printable Disc](#).

Check2 Is printable disc placed on multi-purpose tray?

Place the printable disc on the multi-purpose tray properly and select **OK** on the LCD.

Use the multi-purpose tray (marked A) supplied with this printer.

For more on placing the multi-purpose tray, see [Placing a Printable Disc](#).

Check3 Has time elapsed since you placed the multi-purpose tray?

If a certain period of time has elapsed since you placed the multi-purpose tray, it may be ejected.

Follow the instructions on the LCD and try the operation again.

Multi-Purpose Tray Does Not Feed Properly

Check1 Is multi-purpose tray placed properly?

Place the multi-purpose tray properly again and select **OK** on the LCD.

Use the multi-purpose tray (marked A) supplied with this printer.

For more on placing the multi-purpose tray, see [Placing a Printable Disc](#).

Check2 Unrecognizable printable disc may be placed.

Canon recommends that you use printable discs specially processed to be printed on by an inkjet printer.

Multi-Purpose Tray Jammed

A

Pull out the multi-purpose tray gently.

If the multi-purpose tray cannot be pulled out, cycle the power switch. The multi-purpose tray will automatically be ejected.

When the multi-purpose tray is pulled out, place the multi-purpose tray (marked A) again and retry printing. For more on placing the multi-purpose tray, see [Placing a Printable Disc](#).

If the multi-purpose tray is still jammed, check if there is a problem with the printable disc.

➡ [Multi-Purpose Tray Does Not Feed Properly](#)



Printout Results Are Unsatisfactory



If the print results are unsatisfactory due to white streaks, misaligned/distorted lines, or uneven colors, check the paper and print quality settings first.

Check1 Do page size and media type settings match size and type of loaded paper?

If these settings do not match, it is not possible to obtain the proper result.

If you are printing a photograph or an illustration, an incorrect paper type setting may reduce the quality of the printout color.

Also, if you print with an incorrect paper type setting, the printed surface may be scratched.

In borderless printing, uneven coloring may occur depending on the combination of the paper type setting and the loaded paper.

The method for checking the paper and print quality settings differs depending on what you are using your printer for.

- **Printing from your computer**

Check the settings using the printer driver.

- ➔ [Basic Printing Setup](#)

- **Printing from a PictBridge (Wi-Fi) compliant device**

Check the settings on your PictBridge (Wi-Fi) compliant device or using the operation panel.

- ➔ [PictBridge \(Wi-Fi\) Print Settings](#)

- ➔ [PictBridge print settings](#)

- **Printing from your smartphone/tablet using Canon PRINT Inkjet/SELPHY**

Check the settings on Canon PRINT Inkjet/SELPHY.

- ➔ [Print Photos from Your Smartphone](#)

Check2 Make sure appropriate print quality is selected (see list above).

Select a print quality suited to the paper and to what you are printing. If you notice blurs or uneven colors, increase the print quality setting and retry the printing.

▶▶▶ Note

- When printing from a PictBridge (Wi-Fi) compliant device, set the print quality setting using the operation panel.

This setting cannot be made on the PictBridge (Wi-Fi) compliant device.

Check3 When using Wi-Fi, make sure radio status is good.

➔ [Checking Wi-Fi Network Status](#)

If the radio status is poor, it may be possible that print results are not satisfactory or the printing speed is slow. Retry printing after the radio status improves.

If the problem is not resolved even after the radio status improves, use the printer via USB or a wired LAN.

Check4 If problem is not resolved, check also the sections below.

See also the sections below:

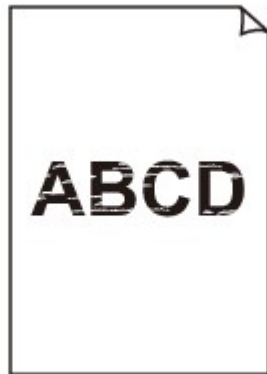
- ➔ [Printouts Are Blank/Blurry or Fuzzy/Inaccurate or Bleeding Colors/Streaks or Lines](#)
- ➔ [Lines Are Misaligned/Distorted](#)
- ➔ [Paper Is Smudged / Printed Surface Is Scratched](#)
- ➔ [Vertical Line Next to Image](#)
- ➔ [Cannot Complete Printing](#)
- ➔ [Lines Incomplete or Missing \(Windows\)](#)
- ➔ [Images Incomplete or Missing \(Windows\)](#)
- ➔ [Ink Blots / Paper Curl](#)
- ➔ [Back of Paper Is Smudged](#)
- ➔ [Uneven or Streaked Colors](#)



Printouts Are Blank/Blurry or Fuzzy/Inaccurate or Bleeding Colors/ Streaks or Lines



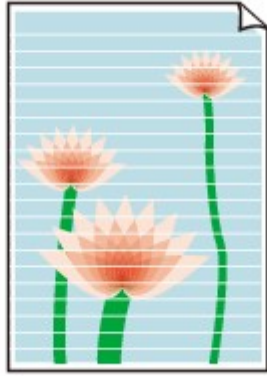
Printing Is Blurry



Colors Are Wrong



White Streaks Appear



A

Check1 Check paper and print quality settings.

➔ [Printout Results Are Unsatisfactory](#)

Check2 Check status of ink tanks. Replace ink tank if ink has run out.

➔ [Replacing Ink Tanks](#)

Check3 Are the print head nozzles clogged?

Follow the steps below to print a nozzle check pattern and determine whether the ink is ejected properly from the print head nozzles.

Step1 Print the nozzle check pattern.

After printing the nozzle check pattern, examine the pattern.

- **For Windows:**

➔ [Printing a Nozzle Check Pattern](#)

- **For macOS:**

➔ [Printing a Nozzle Check Pattern](#)

If the pattern is not printed correctly, go to the next step.

Step2 Clean the print head.

After cleaning the print head, print the nozzle check pattern and check the result.

- **For Windows:**

➔ [Clean the print head](#)

- **For macOS:**

➔ [Clean the print head](#)

If it does not improve, clean the print head again.

If it still does not improve, go to the next step.

Step3 Clean the print head deeply.

After cleaning the print head deeply, print the nozzle check pattern and check the result.

- **For Windows:**

- ➡ [Clean the print head deeply](#)

- **For macOS:**

- ➡ Clean the print head deeply

If it does not improve, turn off the printer, wait for more than 24 hours, and go to the next step. When you turn the printer off, do not unplug it from the power supply.

Step4 Clean the print head deeply again.

After cleaning the print head deeply again, print the nozzle check pattern and check the result.

If it still does not improve, go to the next step.

Step5 Request a repair.

The print head may be damaged. Contact your nearest Canon service center to request a repair.

For details on printing the nozzle check pattern, print head cleaning, and print head deep cleaning, see [Print Head](#).

Check4 When using paper with one printable surface, make sure paper is loaded with printable side facing up.

Printing on the wrong side of such paper may cause unclear prints or prints with reduced quality.

Refer to the instruction manual supplied with the paper for detailed information on the printable side.



Lines Are Misaligned/Distorted



Check1 Check paper and print quality settings.

➔ [Printout Results Are Unsatisfactory](#)

Check2 Perform print head alignment.

If printed lines are misaligned/distorted or print results are otherwise unsatisfactory, adjust the print head position.

➔ [Aligning the Print Head](#)

➤➤➤ Note

- If the problem is not resolved after performing the print head alignment, perform print head alignment manually.

➔ [Aligning the Print Head Manually](#)

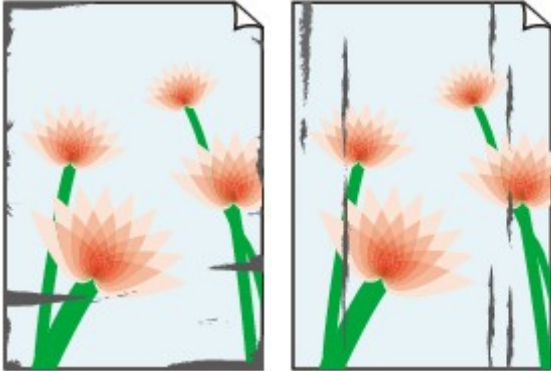
Check3 Increase print quality and try printing again.

Increasing the print quality using the printer driver may improve the print result.



Paper Is Smudged / Printed Surface Is Scratched

Paper Is Smudged



Smudged Edges

Smudged Surface



Printed Surface Is Scratched



Check1 Check paper and print quality settings.

➔ [Printout Results Are Unsatisfactory](#)

Check2 Check paper type.

- Make sure you are using the right paper for what you are printing.
 - ➔ [Supported Media Types](#)
- For borderless printing, use a paper suitable for borderless printing.

If the paper you are using is not suitable for borderless printing, the print quality may be reduced at the top and bottom edges of the paper.

➔ [Print Area](#)

Check3 Correct curl before loading paper.

When using Photo Paper Plus Semi-gloss, even if the sheet is curled, load one sheet at a time as it is. Rolling this paper in the opposite direction to flatten it may crack the paper surface and reduce the print quality.

We recommend putting unused paper back into the package and storing it flat.

- **Plain Paper**

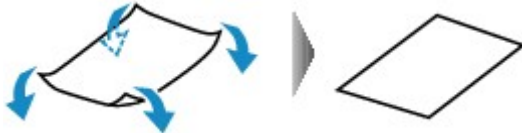
Turn the paper over and reload it to print on the other side.

- **Other Paper such as envelope**

If the paper corners curl more than 0.1 in. / 3 mm (A) in height, the paper may smudge or may not feed properly. Follow the instructions below to correct the paper curl.



1. Roll up paper in opposite direction to paper curl as shown below.

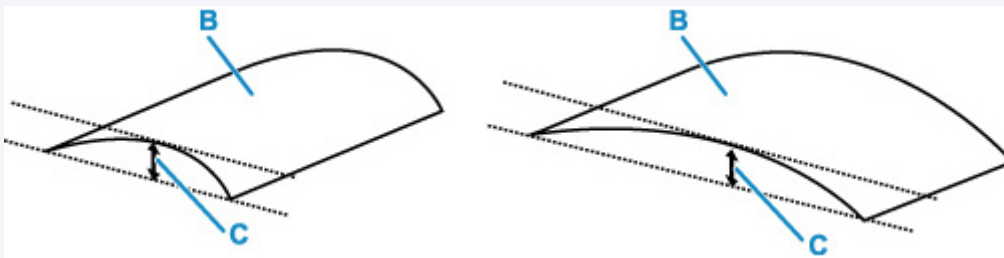


2. Check that paper is now flat.

We recommend printing curl-corrected paper one sheet at a time.

►► Note

- Depending on paper type, the paper may smudge or may not feed properly even if it is not curled inward. Follow the instructions below to curl the paper outward up to 0.1 in. / 3 mm (C) in height before printing. This may improve the print result.



(B) Print side

We recommend feeding paper that has been curled outward one sheet at a time.

Check4 Set printer to prevent paper abrasion.

Adjusting the setting to prevent paper abrasion will widen the clearance between the print head and the paper. If you notice abrasion even with the media type set correctly to match the paper, set the printer to prevent paper abrasion using the operation panel or the computer.

This may reduce the print speed.

* Once you have finished printing, undo this setting. Otherwise, it will apply to subsequent print jobs.

- **From operation panel**

On the HOME screen, select **Various settings** > **Printer settings** > **Print settings**, and then set **Prevent paper abrasion** to **ON**.

➡ [Changing Settings from Operation Panel](#)

- **From computer (Windows):**

1. Check that printer is turned on.
2. Open Canon IJ Printer Assistant Tool.
 - ➔ [Opening the Maintenance Tool \(Canon IJ Printer Assistant Tool\)](#)
3. Select **Custom Settings**.
4. Select **Prevents paper abrasion** check box and select **OK**.
5. Check message and select **OK**.

- **From computer (macOS):**

Adjust the setting to prevent paper abrasion from Remote UI.

- ➔ [Opening Remote UI for Maintenance](#)

Check5 If brightness is set low, increase brightness setting and try printing again.
(Windows)

If you are printing with a low brightness setting on plain paper, the paper may absorb too much ink and become wavy, causing paper abrasion.

- ➔ [Adjusting Brightness](#)

Check6 Do not print outside recommended printing area.

If you print outside the recommended printing area of your paper, ink may stain the lower edge of the paper. Resize the document using application software.

- ➔ [Print Area](#)

Check7 Is paper feed roller dirty?

Clean paper feed roller.

- ➔ [Cleaning Paper Feed Rollers](#)

▶▶▶ Note

- Cleaning the paper feed roller abrades it, so do this only when necessary.

Check8 Is inside of printer dirty?

Ink may stain the inside of the printer, smudging the printout.

Perform bottom plate cleaning to clean inside of printer.

- ➔ [Cleaning Inside the Printer \(Bottom Plate Cleaning\)](#)

▶▶▶ Note

- To prevent staining inside the printer, be sure to set the correct paper size.

Check9 Set longer ink drying time.

This allows the printed surface to dry, preventing smudges and scratches.

- **For Windows:**

1. Check that printer is turned on.
2. Open Canon IJ Printer Assistant Tool.
 - ➔ [Opening the Maintenance Tool \(Canon IJ Printer Assistant Tool\)](#)
3. Select **Custom Settings**.
4. Drag **Ink Drying Wait Time** slide bar to set the wait time and select **OK**.
5. Check message and select **OK**.

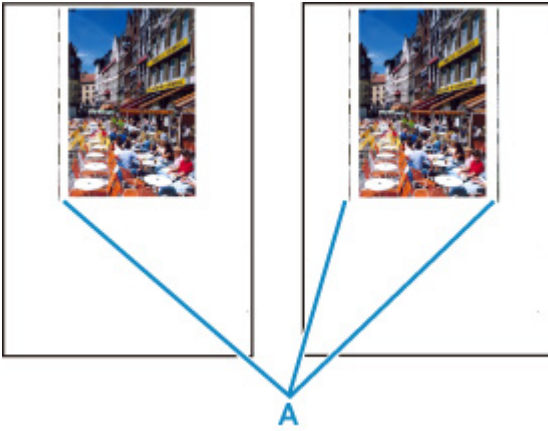
- **For macOS:**

Set the waiting time using Remote UI.

- ➔ [Opening Remote UI for Maintenance](#)



Vertical Line Next to Image



Check Is loaded paper size correct?

If the loaded paper is larger than the size you specified, vertical lines (A) may appear in the left margin or the both margins.

Set the paper size to match the loaded paper.

➔ [Printout Results Are Unsatisfactory](#)

▶▶▶ Note

- The direction or pattern of the vertical lines (A) may vary depending on the image data or the print setting.
- This printer performs automatic cleaning when necessary to keep printouts clean. A small amount of ink is ejected for cleaning.

Although the ink is normally ejected onto the ink absorber at the outer edge of the paper, it may get onto the paper if the loaded paper is larger than the set size.



Cannot Complete Printing



Check1 Select setting not to compress printing data. (Windows)

If you select the setting not to compress the printing data with an application software you are using, the printing result may be improved.

Click **Print Options** on **Page Setup** sheet of the printer driver. Select the **Do not allow application software to compress print data** check box and click **OK**.

»» Important

- Clear the check box once printing is complete.

Check2 Are you trying to print a large data file? (Windows)

If you are trying to print a large data file, it takes a long time to start printing.

If the printer does not start printing after a certain period of time, select **On** for **Prevention of Print Data Loss** on the **Print Options** dialog box.

For details, refer to [Page Setup Tab Description](#).

»» Important

- Selecting **On** for **Prevention of Print Data Loss** may reduce print quality.
- After printing is completed, select **Off** for **Prevention of Print Data Loss**.

Check3 Your hard disk may not have sufficient free space to store job.

Delete unnecessary files to free up disk space.



Lines Incomplete or Missing (Windows)

	Tokyo	London	New York
Jan.	12,000,000	10,500,000	12,300,000
Feb.	11,500,000	10,800,000	12,000,000
Mar.	13,800,000	12,800,000	14,200,000



Check1 Are you using Page Layout Printing or Binding Margin function?

When the Page Layout Printing or Binding margin function is in use, thin lines may not be printed. Try thickening the lines in the document.

Check2 Are you trying to print a large data file? (Windows)

If you are trying to print a large data file, it takes a long time to start printing.

If the printer does not start printing after a certain period of time, select **On** for **Prevention of Print Data Loss** on the **Print Options** dialog box.

For details, refer to [Page Setup Tab Description](#).

▶▶▶ Important

- Selecting **On** for **Prevention of Print Data Loss** may reduce print quality.
- After printing is completed, select **Off** for **Prevention of Print Data Loss**.



Images Incomplete or Missing (Windows)



Check1 Select setting not to compress printing data.

If you select the setting not to compress the printing data with an application software you are using, the printing result may be improved.

Click **Print Options** on **Page Setup** sheet of the printer driver. Select **Do not allow application software to compress print data** check box and click **OK**.

For details, refer to [Page Setup Tab Description](#).

▶▶▶ Important

- Clear the check box once printing is complete.

Check2 Are you trying to print a large data file? (Windows)

If you are trying to print a large data file, it takes a long time to start printing.

If the printer does not start printing after a certain period of time, select **On** for **Prevention of Print Data Loss** on the **Print Options** dialog box.

For details, refer to [Page Setup Tab Description](#).

▶▶▶ Important

- Selecting **On** for **Prevention of Print Data Loss** may reduce print quality.
- After printing is completed, select **Off** for **Prevention of Print Data Loss**.

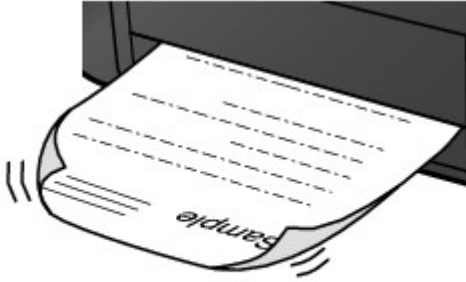


Ink Blots / Paper Curl

Ink Blots



Paper Curl



Check1 Check paper and print quality settings.

➔ [Printout Results Are Unsatisfactory](#)

Check2 If brightness is set low, increase brightness setting and try printing again.

(Windows)

If you are printing with a low brightness setting on plain paper, the paper may absorb too much ink and become wavy, causing paper abrasion.

➔ [Adjusting Brightness](#)

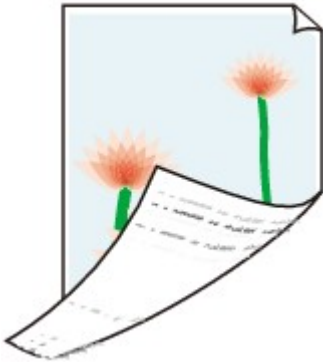
Check3 Use Photo Paper to print photos.

To print data with high color saturation such as photographs or images with dark colors, we recommend that you use Photo Paper Plus Glossy II or other Canon specialty paper.

➔ [Supported Media Types](#)



Back of Paper Is Smudged



Check1 Check paper and print quality settings.

➔ [Printout Results Are Unsatisfactory](#)

Check2 Perform bottom plate cleaning to clean inside of printer.

➔ [Cleaning Inside the Printer \(Bottom Plate Cleaning\)](#)

▶▶▶ Note

- During too much printing, ink may stain the inside of the printer.



Uneven or Streaked Colors

Uneven Colors



Streaked Colors



Check1 Check paper and print quality settings.

➔ [Printout Results Are Unsatisfactory](#)

Check2 Are the print head nozzles clogged?

Follow the steps below to print a nozzle check pattern and determine whether the ink is ejected properly from the print head nozzles.

Step1 Print the nozzle check pattern.

After printing the nozzle check pattern, examine the pattern.

• **For Windows:**

➔ [Printing a Nozzle Check Pattern](#)

- **For macOS:**

- ➔ [Printing a Nozzle Check Pattern](#)

If the pattern is not printed correctly, go to the next step.

Step2 Clean the print head.

After cleaning the print head, print the nozzle check pattern and check the result.

- **For Windows:**

- ➔ [Clean the print head](#)

- **For macOS:**

- ➔ Clean the print head

If it does not improve, clean the print head again.

If it still does not improve, go to the next step.

Step3 Clean the print head deeply.

After cleaning the print head deeply, print the nozzle check pattern and check the result.

- **For Windows:**

- ➔ [Clean the print head deeply](#)

- **For macOS:**

- ➔ Clean the print head deeply

If it does not improve, turn off the printer, wait for more than 24 hours, and go to the next step. When you turn the printer off, do not unplug it from the power supply.

Step4 Clean the print head deeply again.

After cleaning the print head deeply again, print the nozzle check pattern and check the result.

If it still does not improve, go to the next step.

Step5 Request a repair.

The print head may be damaged. Contact your nearest Canon service center to request a repair.

For details on printing the nozzle check pattern, print head cleaning, and print head deep cleaning, see [Print Head](#).

Check3 Perform print head alignment.

- ➔ [Aligning the Print Head](#)

Note

- If the problem is not resolved after performing the print head alignment, perform print head alignment manually.
 - ➔ [Aligning the Print Head Manually](#)

Check4 Enable unidirectional printing function.

On the paper selection screen, select **Advanced**, and set **Unidirectional printing** to **ON**.

Note that the printing speed will be slower when the unidirectional printing function is enabled.

Check5 Color may be uneven if printing materials were stacked while drying.

To avoid uneven colors, we recommend drying each sheet separately.



Printing Stops



Check1 Is paper loaded?

Make sure paper is loaded.

If necessary, load paper.

Check2 Do documents to be printed have many photographs or illustrations?

It takes time for the printer and the computer to process large data such as photos or other graphics, so it may seem that the printer is not working.

Also, if you are printing data that requires a lot of ink on successive sheets of plain paper, the printer may pause temporarily. In either case, wait until the process is complete.

▶▶▶ Note

- If you are printing a document with a large printing area or printing several copies, printing may pause to allow the ink to dry.

Check3 Has printer been printing continuously for a long period?

If the printer has been printing continuously for a long time, the print head or other parts around it may overheat. The printer may stop printing at a line break for a period of time and then resume printing.

In this case, wait a while without doing anything. If the printing does not resume, turn the printer off. After waiting for a while, turn on the printer, and check whether printing is possible.

⚠ Caution

- Print head and surrounding area can become extremely hot. Never touch print head or nearby components.
-

Check4 Is the multi-purpose tray guide opened while printing on paper?

Close the multi-purpose tray guide.



Cannot Print Using AirPrint



Check1 Make sure printer is turned on.

➔ [Power Supply](#)

If the printer is turned on, cycle the power switch, and then check whether the issue is resolved.

Check2 Make sure printer is registered to your computer.

Check3 Make sure printer is connected by LAN to same network subnet as AirPrint compliant device when printing over LAN.

Check4 Make sure printer has enough paper and ink.

Check5 Make sure no error message is displayed on printer's LCD.



Paper Does Not Feed from Paper Source Specified in Printer Driver (Windows)



Check Is paper source setting inconsistent between application program and printer driver?

Change the application software setting corresponding to the printer driver setting, or click **Print Options** on **Page Setup** sheet of the printer driver and select **Disable the paper source setting of the application software** on **Print Options** screen.

When the paper source setting is inconsistent between an application program and the printer driver, the application software setting takes precedence.

For details, refer to [Page Setup Tab Description](#).

Mechanical Problems

- **Printer Does Not Turn On**
- **Printer Turns Off Unexpectedly or Repeatedly**
- **USB Connection Problems**
- **Cannot Communicate with Printer via USB**
- **Wrong Language Appears in LCD**
- **LCD Is Off**
- **Print Head Holder Does Not Move to Replacement Position**
- **Printer Status Monitor Not Displayed (Windows)**
- **Updating Printer Firmware**



Printer Does Not Turn On



Check1 Press **ON** button.

➔ [Power Supply](#)

Check2 Make sure power plug is securely connected to printer, and then turn on again.

Check3 Unplug printer, leave it for at least 2 minutes, and then plug it back in and turn on again.

If this does not solve the problem, contact your nearest Canon service center to request a repair.



Printer Turns Off Unexpectedly or Repeatedly



Check If printer is set to turn off automatically after a certain time, disable this setting.

If you have set the printer to turn off automatically after a specified time, the power will shut off by itself once that time has elapsed.

- **To disable the setting from the operation panel:**

1. Check that printer is turned on.
2. Select **Various settings** on Home screen and press the **OK** button.
3. Select **Printer settings** and press the **OK** button.
4. Select **Energy saving settings** and press the **OK** button.
5. Select **Auto power off** and press the **OK** button.
6. Select **Never** and press the **OK** button.
7. Select **OK** and press the **OK** button.

The setting is disabled.

- **To disable the setting from the computer:**

For Windows, use Canon IJ Printer Assistant Tool to disable the setting.

Follow the procedure below to disable the setting using Canon IJ Printer Assistant Tool.

1. Open Canon IJ Printer Assistant Tool.
 - ➔ [Opening the Maintenance Tool \(Canon IJ Printer Assistant Tool\)](#)
2. Select **Auto Power Settings**.
3. Select **Disable** for **Auto Power Off**.
4. Select **OK**.
5. Select **OK** on the displayed screen.

The setting to shut off the power automatically is disabled.



USB Connection Problems



Make sure of the checking item below when you find one of the followings.

- Printing is slow.
- Hi-Speed USB connection does not work.
- A message such as "**This device can perform faster**" appears. (Windows)

▶▶▶ Note

- If your system environment does not support Hi-Speed USB, the printer operates at the slower speed of USB 1.1. In this case, the printer works properly but printing speed may slow down due to the communication speed.

Check Check following to make sure your system environment supports Hi-Speed USB connection.

- Does the USB port on your computer support Hi-Speed USB connection?
- Does the USB cable or the USB hub support Hi-Speed USB connection?

Be sure to use a certified Hi-Speed USB cable. We recommend that the USB cable be no longer than 10 feet / 3 meters or so.

- Is the Hi-Speed USB driver working properly on your computer?

Make sure the latest Hi-Speed USB driver is working properly and obtain and install the latest version of the Hi-Speed USB driver for your computer, if necessary.

▶▶▶ Important

- For more information, contact the manufacturer of your computer, USB cable, or USB hub.



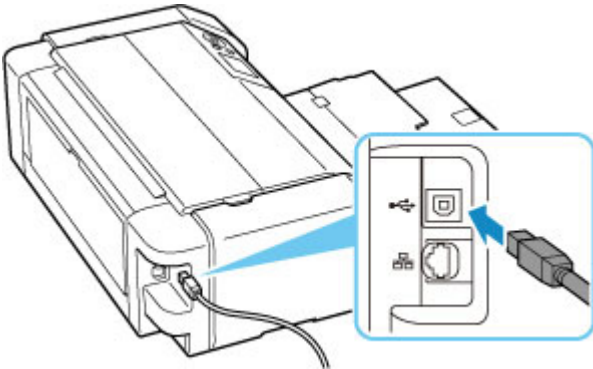
Cannot Communicate with Printer via USB



Check1 Make sure printer is turned on.

Check2 Connect USB cable properly.

As the illustration below, the USB port is at the back of the printer.



»» Important

- Check the direction of the "Type-B" connector and connect it to the printer. For details, refer to the instruction manual supplied with the USB cable.

Check3 Make sure **Enable bidirectional support** is selected in the **Ports** sheet of the **Printer properties** dialog box. (Windows)

If not, select it to enable bidirectional support.

➔ [How to Open the Printer Driver Setup Window](#)




Wrong Language Appears in LCD



Follow the instructions below to select your language.

1. Press the **HOME** button and wait a little.

2. Select  on the HOME screen and press the **OK** button.

3. Select top setting item and press the **OK** button.

4. Select seventh setting item from top and press the **OK** button.

5. Select a language that you want to use for LCD and press the **OK** button.



LCD Is Off



- If **ON** lamp is off:
The printer is not on. Check that the power cord is connected and press the **ON** button.
- If **ON** lamp is lit:
The LCD may be in screen-saver mode. Press any button on the operation panel.



Print Head Holder Does Not Move to Replacement Position



Check1 Is **ON** lamp off?

Check if the **ON** lamp is lit.

The print head holder will not move unless the power is on. If the **ON** lamp is off, close the top cover and turn the printer on.

The **ON** lamp flashes while the printer is initializing. Wait until the **ON** lamp stops flashing and remains lit, open the top cover again, then press the **Stop** button.

Check2 Is an error message displayed on LCD?

Close the top cover, follow the support code (error number) displayed in the error message to resolve the error, and then reopen it. For details on resolving the error, see [List of Support Code for Error](#).

Check3 Has top cover been left open for 10 minutes or longer?

If the top cover is left open for more than 10 minutes, the print head holder moves to the position to protect it to prevent the print head from drying out. Close and reopen the top cover, then press the **Stop** button to return the print head holder to the position for replacing.

Check4 Has printer been printing continuously for a long period?

Close the top cover, reopen it after a while, then press the **Stop** button.

If the printer has been printing continuously for a long time, the print head holder may not move to the position for replacing since the print head may overheat.



Printer Status Monitor Not Displayed (Windows)



Check Is printer status monitor enabled?

Make sure that **Enable Status Monitor** is selected on the **Option** menu of the printer status monitor.

1. Open printer driver setup window.
➡ [How to Open the Printer Driver Setup Window](#)
2. On **Maintenance** sheet, click **View Printer Status**.
3. Select **Enable Status Monitor** on **Option** menu if it is not selected.



Updating Printer Firmware



»» Important

- Make sure the printer is connected to Internet before updating printer firmware.

➔ [Updating Printer Firmware from Operation Panel](#)

➔ [Updating Printer Firmware from Remote UI](#)

Follow the procedure below.

Updating Printer Firmware from Operation Panel

1. Check that printer is turned on and display HOME screen.
If the HOME screen is not displayed, press the **HOME** button.
2. Select **Various settings** on HOME screen and press the **OK** button.
The setup menu screen appears.
3. Select **Printer settings** and press the **OK** button.
4. Select **Firmware update** and press the **OK** button.
5. Select **Install update** and press the **OK** button.
6. Check displayed message and select **Yes** and press the **OK** button.
7. Check displayed message and select **Start update** and press the **OK** button.
Update starts.
Finishing update turns off the printer and it turns on again.
8. Check displayed message and press the **OK** button.

Updating Printer Firmware from Remote UI

1. [Display printer status on web browser.](#)
2. Select **Firmware update**.

3. Select **Install update**.

4. Check displayed message and select **Update**.

Update starts and returns to the menu screen when update is completed.

Installation and Download Problems

- **Failed to Printer Driver Installation (Windows)**
- **Updating Printer Driver in Network Environment (Windows)**
- **Disable Function to Send Usage Information of Printer**
- **Taking Time to Setup Process (Windows)**

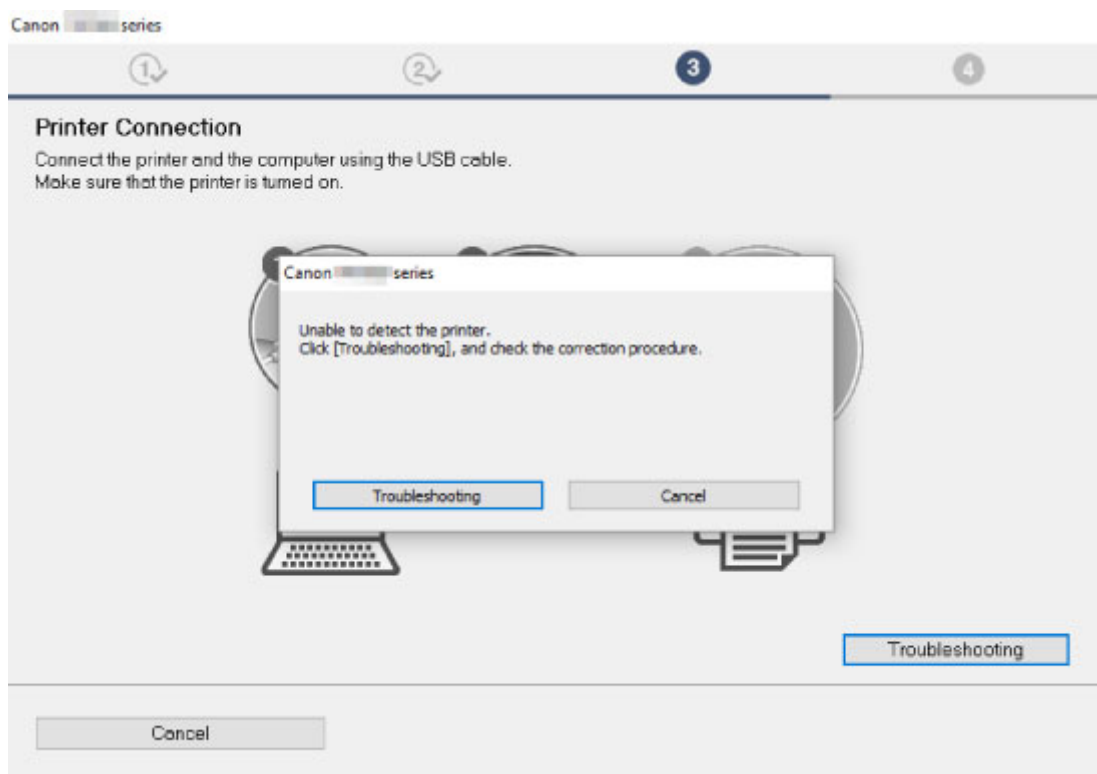


Failed to Printer Driver Installation (Windows)



- ➔ [If you cannot get past the Printer Connection screen:](#)
- ➔ [Other cases:](#)

If you cannot get past the Printer Connection screen:



- ➔ [Cannot Proceed beyond Printer Connection Screen](#)

Other cases:

If the printer driver was not installed correctly, uninstall the printer driver, restart your computer, and then reinstall the printer driver.

- ➔ [Deleting the Unnecessary Printer Driver](#)

Click here and install the printer driver.

➤➤➤ Note

- If the installer was stopped due to a Windows error, Windows operation may be unstable, and you may not be able to install the drivers. Restart your computer and then reinstall the drivers.



Updating Printer Driver in Network Environment (Windows)



Download the latest printer driver.

Download the latest printer driver for your model on the download page of the Canon website.

Uninstall the existing printer driver and follow the installation instructions to install the latest printer driver that you downloaded. In the connection method selection screen, select **Use the printer with Wi-Fi connection**. The printer is detected automatically in the network.

Make sure the printer was found, and install the printer driver following the on-screen instructions.

Note

- The network settings on the printer are not affected, so the printer can be used on the network without redoing settings.



Disable Function to Send Usage Information of Printer



The function to send usage information of the printer is configured or controlled by the printer, computer, and smartphone/tablet separately. Disable the function from each device as well as the printer.

▶▶▶ Important

- Make sure each device is connected to Internet before disabling the function to send usage information.
- If you perform settings to stop sending usage information, you cannot use services, which requires information on your printer, such as PIXMA/MAXIFY Cloud Link.
- In some case, it may take time for your choice to be reflected in your printer.

➔ [For Windows:](#)

➔ [For macOS:](#)

➔ [For Canon PRINT Inkjet/SELPHY:](#)

For Windows:

Perform setup procedure to change the setting for sending information of the printer.

1. Make sure computer to change setting is connected to Internet.
2. Click here and start setup procedure.
3. Click **Start Setup** on **Start Setup** screen.
Proceed the setup procedure according to the instructions on the screen until the **For using services related to Canon product** license agreement screen appears.
4. Click **Do not agree** on **For using services related to Canon product** license agreement screen.
The warning screen appears.
5. Click **OK** on displayed screen.
6. Proceed setup procedure to the end according to instructions on screen.
7. If **For using services related to Canon product** license agreement screen appears again after a certain period of time, click **Do not agree**.

▶▶▶ Note

- Depending on your operating environment, it may take time for the license agreement screen to appear.
- Do not turn off the printer until the license agreement screen appears again.

For macOS:

Perform setup procedure to change the setting for sending information of the printer.

1. Click here and start setup procedure.
2. Click **Start Setup** on **Start Setup** screen.
Proceed the setup procedure according to the instructions on the screen until the **For using services related to Canon product** license agreement screen appears.
3. Click **Do not agree** on **For using services related to Canon product** license agreement screen.
The warning screen appears.
4. Click **OK** on displayed screen.
5. Proceed setup procedure to the end according to instructions on screen.
6. If **For using services related to Canon product** license agreement screen appears again after a certain period of time, click **Do not agree**.

▶▶▶ Note

- Depending on your operating environment, it may take time for the license agreement screen to appear.
- Do not turn off the printer until the license agreement screen appears again.

For Canon PRINT Inkjet/SELPHY:

Use Canon PRINT Inkjet/SELPHY to change the setting for sending information of the printer and smartphone/tablet.

1. Check that printer is turned on.
2. Start up Canon PRINT Inkjet/SELPHY.
3. Tap button on upper right.
4. Tap version information.

5. Tap **About**.

6. Tap **Extended Survey**.

The **Extended Survey** agreement screen appears.

7. Check displayed message and tap **Do not agree**.

The function to send usage information from Canon PRINT Inkjet/SELPHY is disabled.

Tap **Agree** to enable the function to send usage information.

Next, disable the function to send usage information from the printer.

8. View Top screen of Canon PRINT Inkjet/SELPHY.

Make sure the printer to change the setting is selected.

9. Tap printer icon.

10. Tap **Web Service Usage Confirmation**.

The **For using services related to Canon product** agreement screen appears.

11. Check displayed message and tap **Do not agree**.

The warning screen appears.

12. Tap **OK** on displayed warning screen.

The function to send usage information from the printer is disabled.

Tap **Agree** to enable the function to send usage information.

▶▶▶ Note

- Do not turn off the printer until you finish changing the setting on your smartphone/tablet.

If multiple devices are connected to the printer, you need to disable the function to send usage information on all devices. If the function is enabled on one of the devices, sending usage information will continue.



Taking Time to Setup Process (Windows)



If Windows update starts during setup, or if you perform setup while Windows update is in progress, it may take a while to register the printer or to perform other processes.

Wait for a while. This is not a malfunction.

Errors and Messages

- **When Error Occurred**
- **Message (Support Code) Appears**
- **Error Message Appears on PictBridge (Wi-Fi) Compliant Device**

When Error Occurred

If an error occurs in printing, for example, if the paper runs out or jams, a troubleshooting message appears automatically. Take the appropriate action described in the message.


When an error occurs, a message is displayed on the computer or on the printer. For some errors, a support code (error number) is also displayed.


When a Support Code and a Message are displayed on the Computer Screen (Windows):

Canon [blurred] series - [blurred]

Support Code : 1000

Paper has run out.
Media Type : Photo Paper Pro Platinum
Page Size : Letter 8.5"x11" 22x28cm

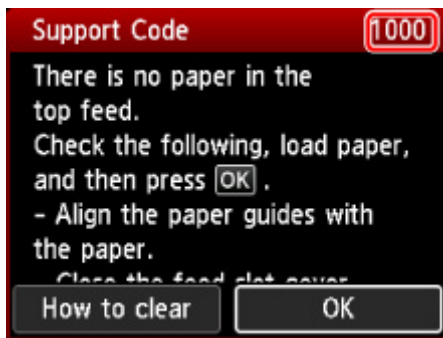
1  1. Load paper into the top feed.

2  2. Press the printer's OK button.

User's Manual

Cancel Printing

When a Support Code and a Message are displayed on the Printer's LCD:



For details on how to resolve errors with Support Codes, see [List of Support Code for Error](#).

For details on how to resolve errors without Support Codes, see [Message \(Support Code\) Appears](#).

Message (Support Code) Appears

This section describes some of the messages that may appear.

▶▶▶ Note

- A support code (error number) is displayed for some errors. For details on errors that have support code, see [List of Support Code for Error](#).

If a message appears on the printer's LCD, see below.

➔ [Message Appears on the Printer's LCD](#)

If a message appears on the computer, see below.

➔ [Error Regarding Power Cord Being Unplugged Is Displayed \(Windows\)](#)

➔ [Writing Error/Output Error/Communication Error \(Windows\)](#)

➔ [Other Error Messages \(Windows\)](#)

Message Appears on the Printer's LCD

Check the message and take appropriate action.

- **Power was not turned off correctly the last time. Press the  button when turning power off.**

The printer may have been unplugged while the power was still on.

Press the printer's **OK** button to cancel the error.

▶▶▶ Note

- See [Unplugging the Printer](#) to unplug the printer correctly.

- **Cannot connect to the server. Please wait a while and try again.**

The printer cannot connect to the server due to a communication error.

Press the printer's **OK** button to cancel the error and try again after a while.

Error Regarding Power Cord Being Unplugged Is Displayed (Windows)

The printer may have been unplugged while it was on.

Check the error message that appears on the computer and click **OK**.

The printer starts printing.

See [Unplugging the Printer](#) for unplugging the power cord.

Writing Error/Output Error/Communication Error (Windows)

Check1 If the **ON** lamp is off, make sure printer is plugged in and turn on.

The **ON** lamp flashes while the printer is initializing. Wait until the **ON** lamp stops flashing and remains lit.

Check2 Make sure printer is properly connected to computer.

If you are using a USB cable, make sure it is securely connected to both the printer and the computer. When the USB cable is securely plugged in, check the following:

- If you are using a relay device such as a USB hub, disconnect it, connect the printer directly to the computer, and retry the printing. If printing starts normally, there is a problem with the relay device. Contact the vendor of the relay device.
- There could also be a problem with the USB cable. Replace the USB cable and retry the printing.

If you use the printer over a LAN, make sure the printer is correctly set up for network use.

Check3 Make sure printer driver is installed correctly.

Uninstall the printer driver following the procedure described in [Deleting the Unnecessary Printer Driver](#) and click here to reinstall it.

Check4 When printer is connected to your computer with a USB cable, check device status from your computer.

Follow the procedure below to check the device status.

1. Select **Control Panel > Hardware and Sound > Device Manager**.

▶▶▶ Note

- If the **User Account Control** screen appears, select **Continue**.

2. Open **USB Printing Support Properties**.

Double-click **Universal Serial Bus controllers** and **USB Printing Support**.

▶▶▶ Note

- If **USB Printing Support Properties** screen does not appear, make sure the printer is correctly connected to the computer.



Check2 [Make sure printer is properly connected to computer.](#)

3. Click **General** tab and check for a device problem.

If a device error is shown, see Windows Help to resolve it.

Other Error Messages (Windows)

Check If an error message appears outside printer status monitor, check the following:

- **"Could not spool successfully due to insufficient disk space"**

Delete any unnecessary files to increase the amount of free space on the disk.

- **"Could not spool successfully due to insufficient memory"**

Close other applications to increase the available memory.

If you still cannot print, restart your computer and retry the printing.

- **"Printer driver could not be found"**

Uninstall the printer driver following the procedure described in [Deleting the Unnecessary Printer Driver](#) and click here to reinstall it.

- **"Could not print Application name - File name"**

Try printing again once the current job is complete.



Error Message Appears on PictBridge (Wi-Fi) Compliant Device



The following are the possible errors that may occur when printing directly from a PictBridge (Wi-Fi) compliant device and the countermeasures to clear them.

▶▶▶ Note

- This section describes errors that are indicated on Canon-brand PictBridge (Wi-Fi) compliant devices. The error messages and operations may vary depending on the device you are using. For errors on non-Canon PictBridge (Wi-Fi) compliant devices, check the support code (error number) displayed on the printer's LCD and take the appropriate action to clear the error.
➔ [List of Support Code for Error](#)
- For the errors indicated on the PictBridge (Wi-Fi) compliant device and their solution, also refer to the instruction manual of the device. For other troubles on the device, contact the manufacturer.

Error Message on PictBridge (Wi-Fi) Compliant Device	What to Do
Printer in use	<p>If the printer is printing from the computer or warming up, wait until it finishes.</p> <p>If you are registering paper information, complete it.</p> <p>When it is ready, the printer starts printing automatically.</p> <p>In cases other than the above, check the support code on the printer's LCD and take the appropriate action to resolve the error.</p> <p>➔ List of Support Code for Error</p>
No paper	Load paper and select Continue in the display on your PictBridge (Wi-Fi) compliant device, or press the printer's OK button.
Paper error / Incorrect paper type	<p>Check the support code on the printer's LCD and take the appropriate action to resolve the error.</p> <p>➔ List of Support Code for Error</p>
Paper jam	<p>Select Stop in the display of your PictBridge (Wi-Fi) compliant device to stop printing.</p> <p>Check the support code on the printer's LCD and the condition of the jammed paper, and remove the paper properly.</p> <p>➔ List of Support Code for Error (Paper Jams)</p> <p>Then load new paper and retry printing.</p>
Printer cover open	Close the top cover on the printer.
No print head	Check the support code on the printer's LCD and take the appropriate action to resolve the error.

	<p>➡ List of Support Code for Error</p>
Waste tank full / Ink absorber full	<p>Check the support code on the printer's LCD and take the appropriate action to resolve the error.</p> <p>➡ List of Support Code for Error</p>
No ink / Ink cassette error	<p>Check the support code on the printer's LCD and take the appropriate action to resolve the error.</p> <p>➡ List of Support Code for Error</p>
Ink error	<p>Check the support code on the printer's LCD and take the appropriate action to resolve the error.</p> <p>➡ List of Support Code for Error</p>
Hardware error	<p>Check the support code on the printer's LCD and take the appropriate action to resolve the error.</p> <p>➡ List of Support Code for Error</p>
Printer error	<p>An error requiring servicing may have occurred.</p> <p>Turn off the printer and unplug it.</p> <p>Plug in the printer and turn on again.</p> <p>If this does not solve the problem, contact your nearest Canon service center to request a repair.</p>

If You Cannot Solve a Problem

If there is a problem that you cannot solve following the instructions in this chapter, contact Canon through the Support page of the Canon website or contact your nearest Canon service center.

Canon support staff are trained to be able to provide technical support to satisfy customers.

Caution

- If the printer emits any unusual sound, smoke, or odor, turn it off immediately. Unplug the printer and contact the seller you bought it from or your nearest Canon service center. Never attempt to repair or disassemble the printer yourself.
 - If you attempt to repair or take apart the printer, your warranty will be invalidated even if it has not expired.
-

Before contacting the service center, note the following:

- Product name
(Your printer's name is written on the front cover of the setup manual.)
- Serial number (see setup manual)
- Details of problem
- What you tried to solve the problem, and what happened

List of Support Code for Error

Support code appears on the printer's LCD and your computer screen when errors occur.

A "support code" is an error number, and appears along with an error message.

When an error occurs, check the support code and take the appropriate action in response.

Support Code Appears on Printer's LCD and Computer Screen

- **1000 to 1ZZZ**

[1000](#) 1001 1002 1006 [1013](#) 1062

[1200](#) [1250](#) 1261 [1300](#) 1308 1351

[1401](#) 1403 1405 1408 1409 140A

140C 1410 1411 1412 1413 1414

1415 1416 1417 1418 1419 [1600](#)

[1660](#) 1684 168C 1698 1699 [1700](#)

1701 1716 1730 1731 1830 1850

1851 1855 1856 1857 [1890](#)

- **2000 to 2ZZZ**

2103 [2114](#) [2115](#) 2123 2124 2500

2503

- **3000 to 3ZZZ**

3000 3306 3310 3311 3312 3313

3314 3315 3316 3317 3318 3319

3413 3439 3440 3441 3442 3443

3444 3445 3446 3447

- **4000 to 4ZZZ**

4100 [4103](#) 4104 4109 4111 495A

- **5000 to 5ZZZ**

[5100](#) [5200](#) 520C 520E 5250 5400

5700 [5B00](#) 5B01 5B16 5B22 5C02

5C13 5C14

- **6000 to 6ZZZ**

[6000](#) 6001 6004 6500 6502 6700

6701 6800 6801 6830 6831 6832

6833 6900 6901 6902 6910 6911

6920 6921 6930 6931 6932 6933

6940 6941 6942 6943 6944 6945

6946 6A80 6A81 6D01

- **7000 to 7ZZZ**

7600 7700 7800 7802

- **8000 to 8ZZZ**

8200 8300

- **A000 to ZZZZ**

B400 [C000](#)

For paper jam support codes, see also [List of Support Code for Error \(Paper Jams\)](#).

List of Support Code for Error (Paper Jams)

If paper jams, remove it following the appropriate procedure as shown below.

- If you can see the jammed paper at the paper output slot / top feed / manual feed tray:
 - ➔ [1300](#)
- If the paper tears and you cannot remove it from the paper output slot / top feed / manual feed tray or if the paper is jammed inside the printer:
 - ➔ [Paper Is Jammed inside Printer](#)
- If the small size paper is jammed:
 - ➔ Small Size Paper Is Jammed inside Printer
- Cases other than above:
 - ➔ Other Cases

Cause

Paper is jammed in the paper output slot / top feed / manual feed tray.

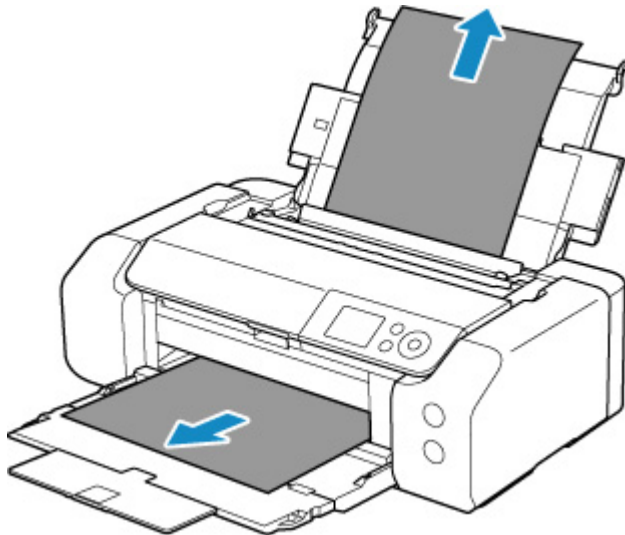
What to Do

Remove the jammed paper according to the paper source.

If the paper loaded in the top feed is jammed:

1. Slowly pull out paper, either from paper output slot or from top feed, whichever is easier.

Hold the paper with both hands, and pull it out slowly so as not to tear it.



▶▶▶ Note

- If you cannot pull out the paper, turn the printer back on without pulling forcibly. The paper may be ejected automatically.
- If paper becomes jammed during printing and you need to turn off the printer to remove it, press the printer's **Stop** button to stop the printing before you turn off the printer.
- If the paper tears and you cannot remove the jammed paper from the paper output slot or the top feed, remove the paper from inside the printer.

➔ [Paper Is Jammed inside Printer](#)

2. Reload paper and press the printer's **OK** button.

The printer resumes printing. Reprint the page you were printing if it was not printed properly due to the paper jam.

If you turned off the printer in step 1, the print data that was sent to the printer is erased. Redo the printing.

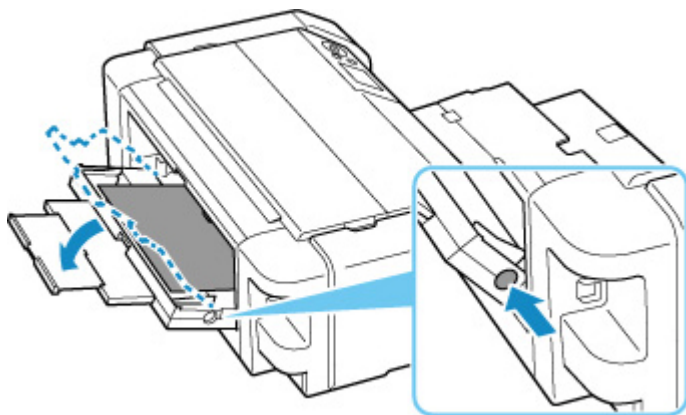
►► Note

- When reloading the paper, make sure you are using suitable paper and loading it correctly. Also, make sure that the paper in the top feed is not resting against a wall or any other obstacle. If the paper is touching a wall, this may prevent the paper from being fed into the printer correctly.
- We recommend using paper sizes other than A5 to print documents with photos or graphics. A5 paper may curl and jam as it leaves the printer.

If the measures above do not solve the problem, contact your nearest Canon service center to request a repair.

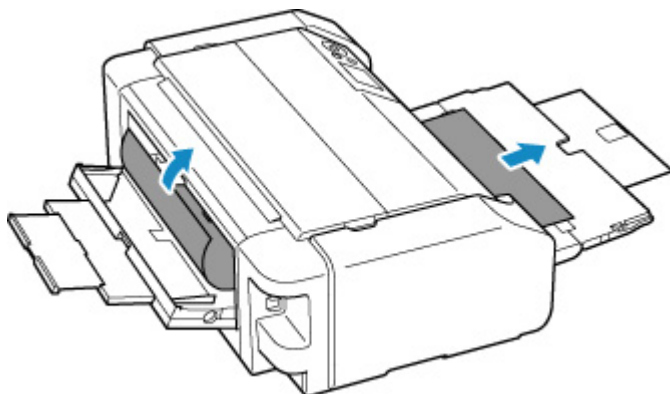
If the paper loaded in the manual feed tray is jammed:

1. Press **Paper Jam Clearing** button and set manual feed tray to paper jam clearing position.



2. Slowly pull out paper, either from paper output slot or from manual feed tray, whichever is easier.

Hold the paper with both hands, and pull it out slowly so as not to tear it.



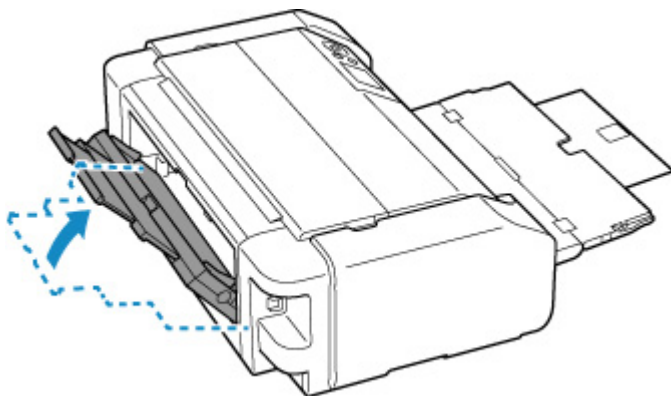
►► Note

- If you cannot pull out the paper, turn the printer back on without pulling forcibly. The paper may be ejected automatically.

- If paper becomes jammed during printing and you need to turn off the printer to remove it, press the printer's **Stop** button to stop the printing before you turn off the printer.
- If the paper tears and you cannot remove the jammed paper from the paper output slot or the manual feed tray, remove the paper from inside the printer.

➔ [Paper Is Jammed inside Printer](#)

3. Return manual feed tray to original position.



4. Reload paper and press the printer's **OK** button.

The printer resumes printing. Reprint the page you were printing if it was not printed properly due to the paper jam.

If you turned off the printer in step 2, the print data that was sent to the printer is erased. Redo the printing.

➤➤ Note

- When reloading the paper, make sure you are using suitable paper and loading it correctly. Also, make sure that the paper in the top feed is not resting against a wall or any other obstacle. If the paper is touching a wall, this may prevent the paper from being fed into the printer correctly.

If the measures above do not solve the problem, contact your nearest Canon service center to request a repair.

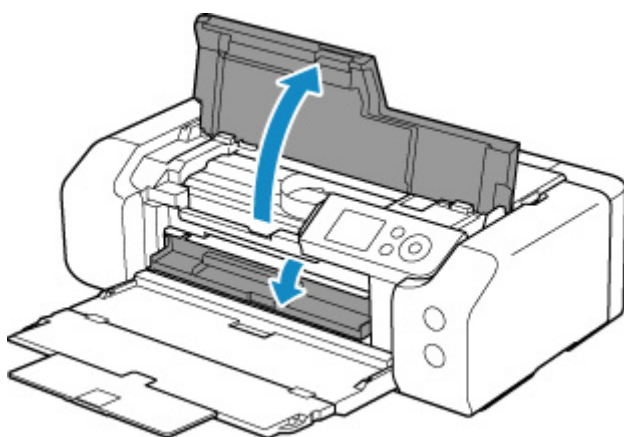
Paper Is Jammed inside Printer

If the jammed paper tears and you cannot remove the paper from the paper output slot / top feed / manual feed tray, or if the jammed paper remains inside the printer, remove the paper following the instructions below.

▶▶▶ Note

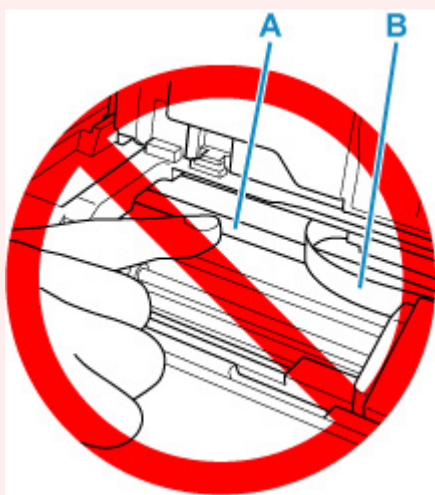
- If paper becomes jammed during printing and you need to turn off the printer to remove it, press the printer's **Stop** button to stop the printing before you turn off the printer.

1. Turn off the printer and unplug it.
2. Open top cover and multi-purpose tray guide.



▶▶▶ Important

- Do not touch clear film (A) or white belt (B).

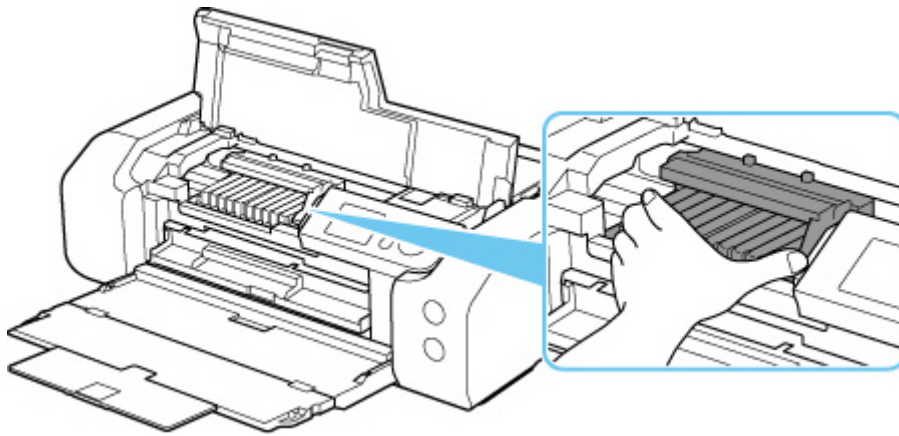


If you soil or scratch this part by touching it with paper or your hand, it could damage the printer.

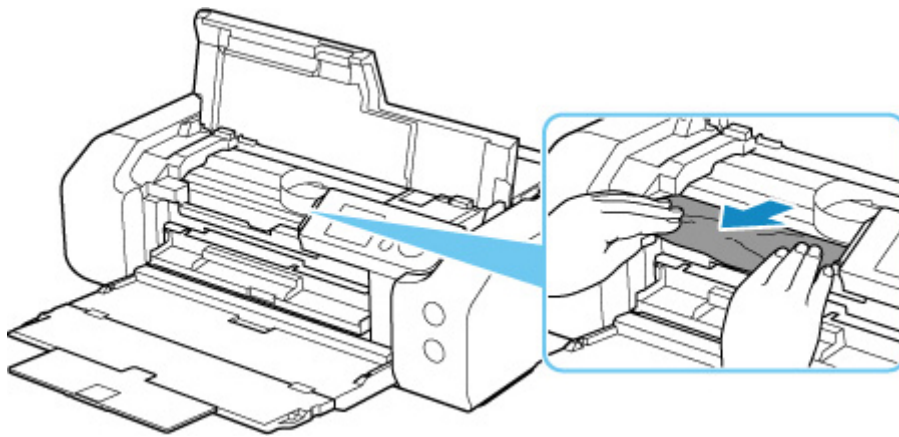
3. Check if jammed paper is under print head holder.

If the jammed paper is under the print head holder, move the print head holder to the far right or left, whichever makes it easier to remove the paper.

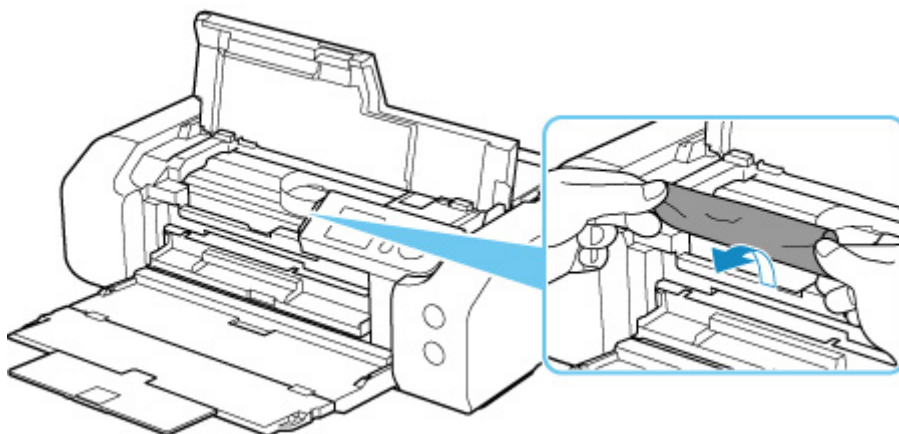
When moving the print head holder, hold the top of the print head holder and slide it slowly to the far right or left.



4. Hold jammed paper firmly in both hands.

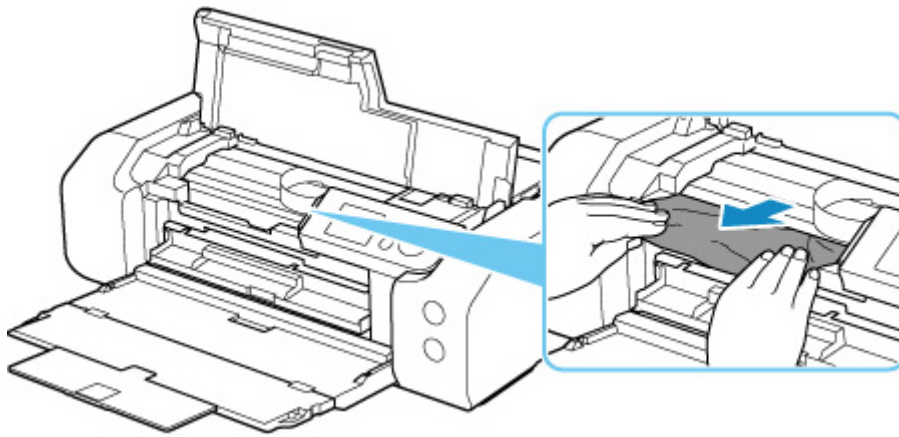


If the paper is rolled up, pull out it.



5. Slowly pull out paper, so as not to tear it.

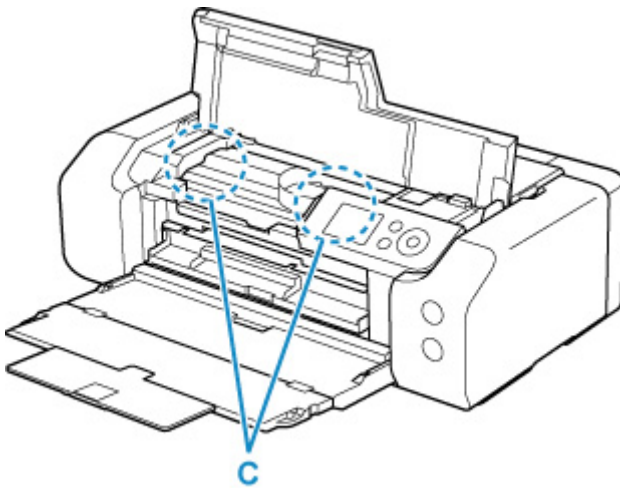
Pull out the paper at an angle of about 45 degrees.



6. Make sure all jammed paper is removed.

If the paper tears when you pull out it, a bit of paper may remain in the printer. Check the following and remove any remaining paper.

- Any paper left under the print head holder?
- Any small bits of paper left in the printer?
- Any paper left in the left and right empty spaces (C) in the printer?



7. Close top cover.

All jobs in the print queue are canceled. Redo the printing.

▶▶▶ Note

- When reloading the paper, make sure you are using suitable paper and loading it correctly.

If a paper jam message appears on the printer's LCD or on your computer screen when you resume printing after removing all the jammed paper, there may be some paper still inside the printer. Check the printer again for any remaining bits of paper.

If the measures above do not solve the problem, contact your nearest Canon service center to request a repair.

Cause

Possible causes include the following.

- There is no paper in the top feed.
- Paper is not loaded in the top feed properly.

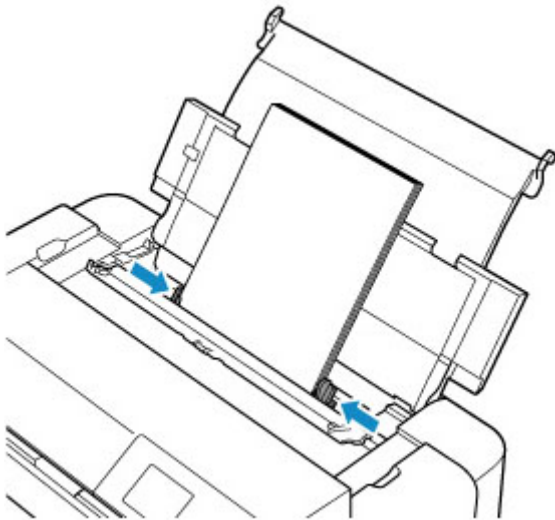
What to Do

Take the corresponding actions below.

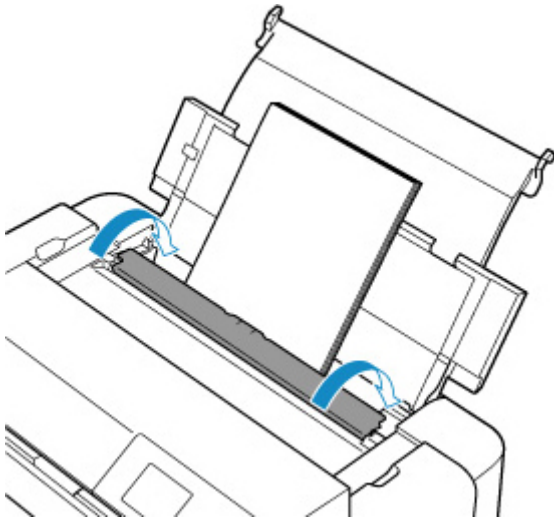
- Load paper in the top feed.
 - ➔ [Loading Paper in the Top Feed](#)

▶▶▶ Note

- The loadable paper differs depending on the paper source. For details on the paper that can be loaded in the top feed, refer to [Loading Paper in the Top Feed](#).
 - Load one sheet of A4 / Letter size plain paper in the top feed before aligning the print head during the first printer setup.
- Align the paper guides of the top feed with both edges of the paper.



- Close the feed slot cover.



After carrying out the above measures, press the printer's **OK** button.

▶▶ **Note**

- To cancel printing, press the printer's **Stop** button.

Cause

Multi-purpose tray compatible media is not set on multi-purpose tray, or the media position is misaligned.

What to Do

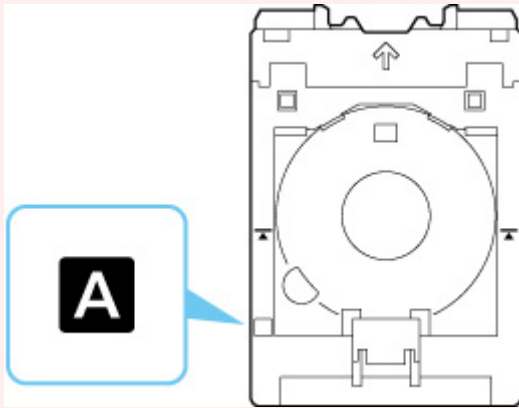
Remove the multi-purpose tray, place the multi-purpose tray compatible media properly, and then attach the multi-purpose tray to the printer.

➔ [Placing Multi-purpose Tray](#)

Then press the printer's **OK** button to cancel the error.

Important

- When you print on multi-purpose tray compatible media, use the supplied multi-purpose tray (the one with the "A" mark).



Note

- To cancel printing, press the printer's **Stop** button.

1200

Cause

Top cover is open.

What to Do

Close the top cover and wait for a while.

Do not forget to close it, such as after replacing ink tanks.

1250

Cause

Paper output tray is closed.

What to Do

Open the paper output tray.

1401

Cause

Print head may not be installed properly or may be damaged.

What to Do

Take the corresponding actions below.

- Install the print head.
- If the print head is already installed, remove and reinstall it.
Then close the top cover.
- Turn off the printer and turn it back on.

If the measures above do not solve the problem, contact your nearest Canon service center to request a repair.

1600

Cause

Ink may have run out.

What to Do

If printing is in progress, you are recommended to stop printing, replace the ink tank, and then print again.

If printing is in progress and you want to continue printing, press the printer's **OK** button with the ink tank installed. Then printing can continue under the ink out condition. Replace the empty ink tank immediately after the printing. The printer may be damaged if printing is continued under the ink out condition.

1660

Cause

The ink tank is not installed.

What to Do

Install the ink tank.

1700

Cause

Ink absorber is almost full.

What to Do

Press the printer's **OK** button to continue printing. Contact your nearest Canon service center to request a repair.

▶▶ Note

- In the case of warnings or errors caused by remaining ink levels, the printer cannot print.

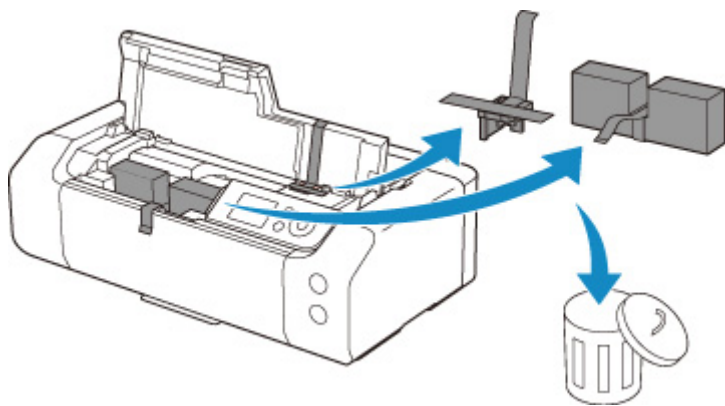
Cause

Protective materials for shipping may still be attached.

What to Do

Open the top cover and make sure that the protective materials for securing the print head holder have been removed.

If the protective materials are still there, remove them and close the top cover.



In the case of the first printer setup, [click here](#), select your printer name on the page, and follow the instructions.

Cause

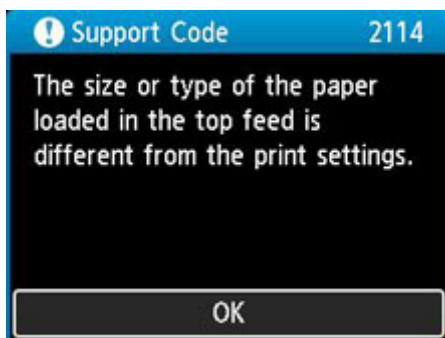
Paper settings specified when printing do not match the paper information for the top feed registered in the printer.

▶▶▶ Note

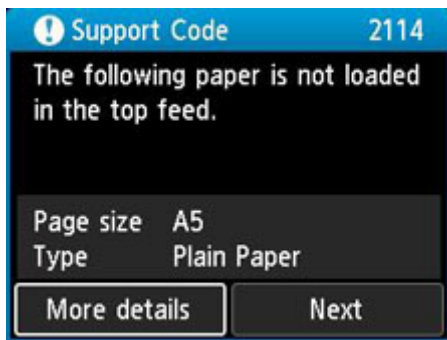
- For the appropriate combination of the paper settings specified in the printer driver and the paper information registered in the printer, refer to the following.
 - ➔ [Paper Settings on the Printer Driver and the Printer \(Media Type\)](#) (Windows)
 - ➔ Paper Settings on the Printer Driver and the Printer (Media Type) (macOS)
 - ➔ [Paper Settings on the Printer Driver and the Printer \(Paper Size\)](#) (Windows)
 - ➔ Paper Settings on the Printer Driver and the Printer (Paper Size) (macOS)
- For how to register paper information in the printer, refer to the following.
 - ➔ [Register Paper Information](#)

For example, if the paper settings specified when printing differ from the paper information for the top feed registered in the printer, the following message is displayed on the printer's LCD.

- Paper settings specified on the printer driver when printing:
Paper size: **A5**
Paper type: **Plain paper**
- Paper information for the top feed registered in the printer:
Paper size: **A4**
Paper type: **Plain paper**

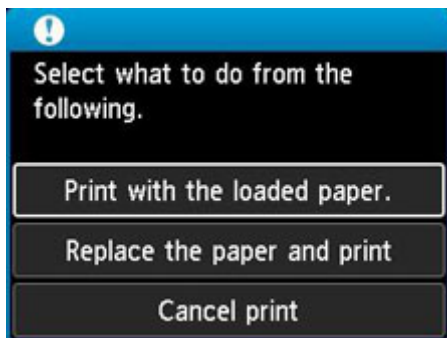


When you press the printer's **OK** button, the paper settings specified when printing are displayed on the LCD.



What to Do

Select **Next** using the ◀▶ buttons and press the printer's **OK** button to display the screen below.



Select the appropriate action using the ▲▼ buttons and press the printer's **OK** button.

▶▶ Note

- Depending on settings, some of the options below may not appear.

Print with the loaded paper.

Select this option to print on the loaded paper with the paper settings specified when printing.

For example, when the paper size specified at printing is A5 and the paper information for the top feed is registered as A4, select this option to print on A4 paper loaded in the top feed with the A5 setting.

Replace the paper and print

Select this option to print after changing the paper in the top feed.

For example, when the paper size specified at printing is A5 and the paper information for the top feed is registered as A4, select this option to print after replacing the paper in the top feed with A5 paper.

After changing the paper and closing the feed slot cover, the paper information registration screen for the top feed appears. Register the paper information in the printer according to the loaded paper.

▶▶▶ Note

- If you do not know the paper size and paper type to be loaded in the top feed, press the printer's **Back** button. The paper size and paper type are displayed.
- For the appropriate combination of the paper settings specified in the printer driver and the paper information registered in the printer, refer to the following.

➔ [Paper Settings on the Printer Driver and the Printer \(Media Type\)](#) (Windows)

- ➡ Paper Settings on the Printer Driver and the Printer (Media Type) (macOS)
- ➡ [Paper Settings on the Printer Driver and the Printer \(Paper Size\)](#) (Windows)
- ➡ Paper Settings on the Printer Driver and the Printer (Paper Size) (macOS)

Cancel print

Cancels printing.

Select this option when you want to change the paper settings specified at printing. Change the paper settings and retry printing.

▶▶ Note

- To suppress the misprint prevention message, change the setting as described below. When you suppress the message, the printer uses the paper settings specified at printing, regardless of whether the paper loaded in the top feed matches the paper settings.
 - To change whether to display a misprint prevention message when printing without using the printer driver:
 - ➡ [Paper-related settings](#)
 - To change whether to display a misprint prevention message when printing using the printer driver:
 - ➡ [Changing the Printer Operation Mode](#) (Windows)
 - ➡ Changing the Printer Operation Mode (macOS)

Cause

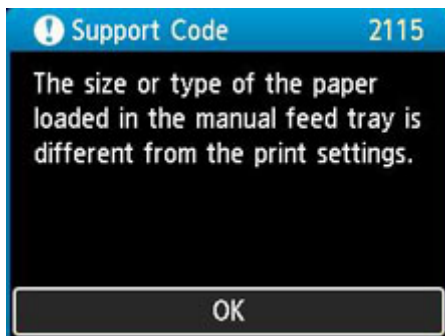
Paper settings specified when printing do not match the paper information for the manual feed tray registered in the printer.

▶▶▶ Note

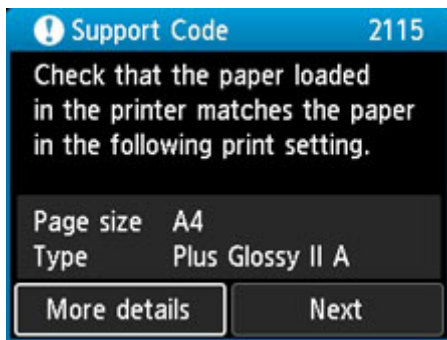
- For the appropriate combination of the paper settings specified in the printer driver and the paper information registered in the printer, refer to the following.
 - ➔ [Paper Settings on the Printer Driver and the Printer \(Media Type\) \(Windows\)](#)
 - ➔ Paper Settings on the Printer Driver and the Printer (Media Type) (macOS)
 - ➔ [Paper Settings on the Printer Driver and the Printer \(Paper Size\) \(Windows\)](#)
 - ➔ Paper Settings on the Printer Driver and the Printer (Paper Size) (macOS)
- For how to register paper information in the printer, refer to the following.
 - ➔ [Register Paper Information](#)

For example, if the paper settings specified when printing differ from the paper information for the manual feed tray registered in the printer, the following message is displayed on the printer's LCD.

- Paper settings specified on the printer driver when printing:
Paper size: **A4**
Paper type: **Photo Paper Plus Glossy II A**
- Paper information for the manual feed tray registered in the printer:
Paper size: **A3**
Paper type: **Plus Glossy II A**

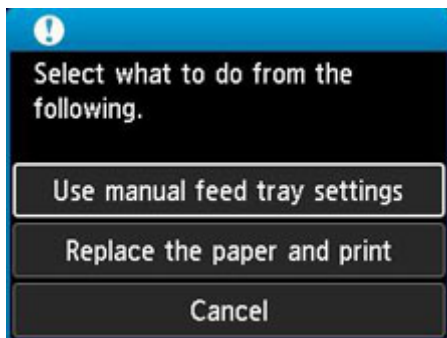


When you press the printer's **OK** button, the paper settings specified when printing are displayed on the LCD.



What to Do

Select **Next** using the ◀▶ buttons and press the printer's **OK** button to display the screen below.



Select the appropriate action using the ▲▼ buttons and press the printer's **OK** button.

▶▶ Note

- Depending on settings, some of the options below may not appear.

Use manual feed tray settings

Select this option to print on the loaded paper with the paper settings specified when printing.

For example, when the paper size specified at printing is A4 and the paper information for the manual feed tray is registered as A3, select this option to print on A3 paper loaded in the manual feed tray with the A4 setting.

Replace the paper and print

Select this option to print after changing the paper in the manual feed tray.

For example, when the paper size specified at printing is A4 and the paper information for the manual feed tray is registered as A3, select this option to print after replacing the paper in the manual feed tray with A4 paper.

After changing the paper, the paper information registration screen for the manual feed tray appears. Register the paper information in the printer according to the loaded paper.

▶▶▶ Note

- If you do not know the paper size and paper type to be loaded in the manual feed tray, press the printer's **Back** button. The paper size and paper type are displayed.
- For the appropriate combination of the paper settings specified in the printer driver and the paper information registered in the printer, refer to the following.

➔ [Paper Settings on the Printer Driver and the Printer \(Media Type\)](#) (Windows)

- ➔ Paper Settings on the Printer Driver and the Printer (Media Type) (macOS)
- ➔ [Paper Settings on the Printer Driver and the Printer \(Paper Size\)](#) (Windows)
- ➔ Paper Settings on the Printer Driver and the Printer (Paper Size) (macOS)

Cancel

Cancels printing.

Select this option when you want to change the paper settings specified at printing. Change the paper settings and retry printing.

▶▶ Note

- To suppress the misprint prevention message, change the setting as described below. When you suppress the message, the printer uses the paper settings specified at printing, regardless of whether the paper loaded in the manual feed tray matches the paper settings.
 - To change whether to display a misprint prevention message when printing without using the printer driver:
 - ➔ [Paper-related settings](#)
 - To change whether to display a misprint prevention message when printing using the printer driver:
 - ➔ [Changing the Printer Operation Mode](#) (Windows)
 - ➔ Changing the Printer Operation Mode (macOS)

4103

Cause

Cannot perform printing with current print settings.

What to Do

Press the printer's **Stop** button to cancel printing.

Change the print settings specified when printing and retry printing.

5100

Cause

Printer error has occurred.

What to Do

If you are printing, press the printer's **Stop** button to cancel printing, then turn off the printer.

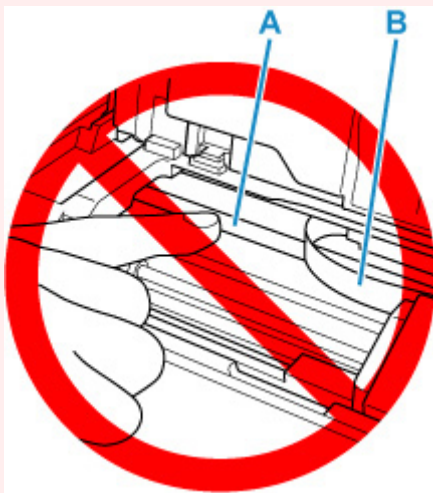
Check the following:

- Make sure print head holder motion is not impeded by protective materials for securing the print head holder, jammed paper, etc.

Remove any impediment.

»» Important

- When clearing an impediment to print head holder motion, be careful not to touch clear film (A) or white belt (B).



If you soil or scratch this part by touching it with paper or your hand, it could damage the printer.

- Make sure the ink tanks are properly installed.

Press ink tanks until they click into place.

Turn the printer back on.

If this does not solve the problem, contact your nearest Canon service center to request a repair.

5200

Cause

Printer error has occurred.

What to Do

Turn off the printer and unplug it.

After a while, plug in the printer again and turn it back on.

If this does not solve the problem, contact your nearest Canon service center to request a repair.

5B00

Cause

Printer error has occurred.

What to Do

Contact your nearest Canon service center to request a repair.

▶▶ Note

- In the case of warnings or errors caused by remaining ink levels, the printer cannot print.

6000

Cause

Printer error has occurred.

What to Do

Turn off the printer and unplug it.

Plug in the printer again and turn it back on.

If this does not solve the problem, contact your nearest Canon service center to request a repair.

C000

Cause

Printer error has occurred.

What to Do

Turn off the printer and unplug it.

Plug in the printer again and turn it back on.

If this does not solve the problem, contact your nearest Canon service center to request a repair.